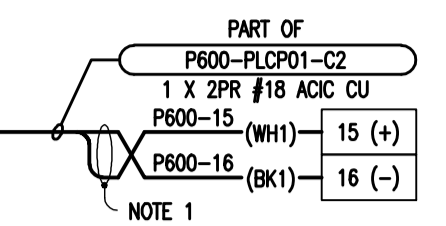
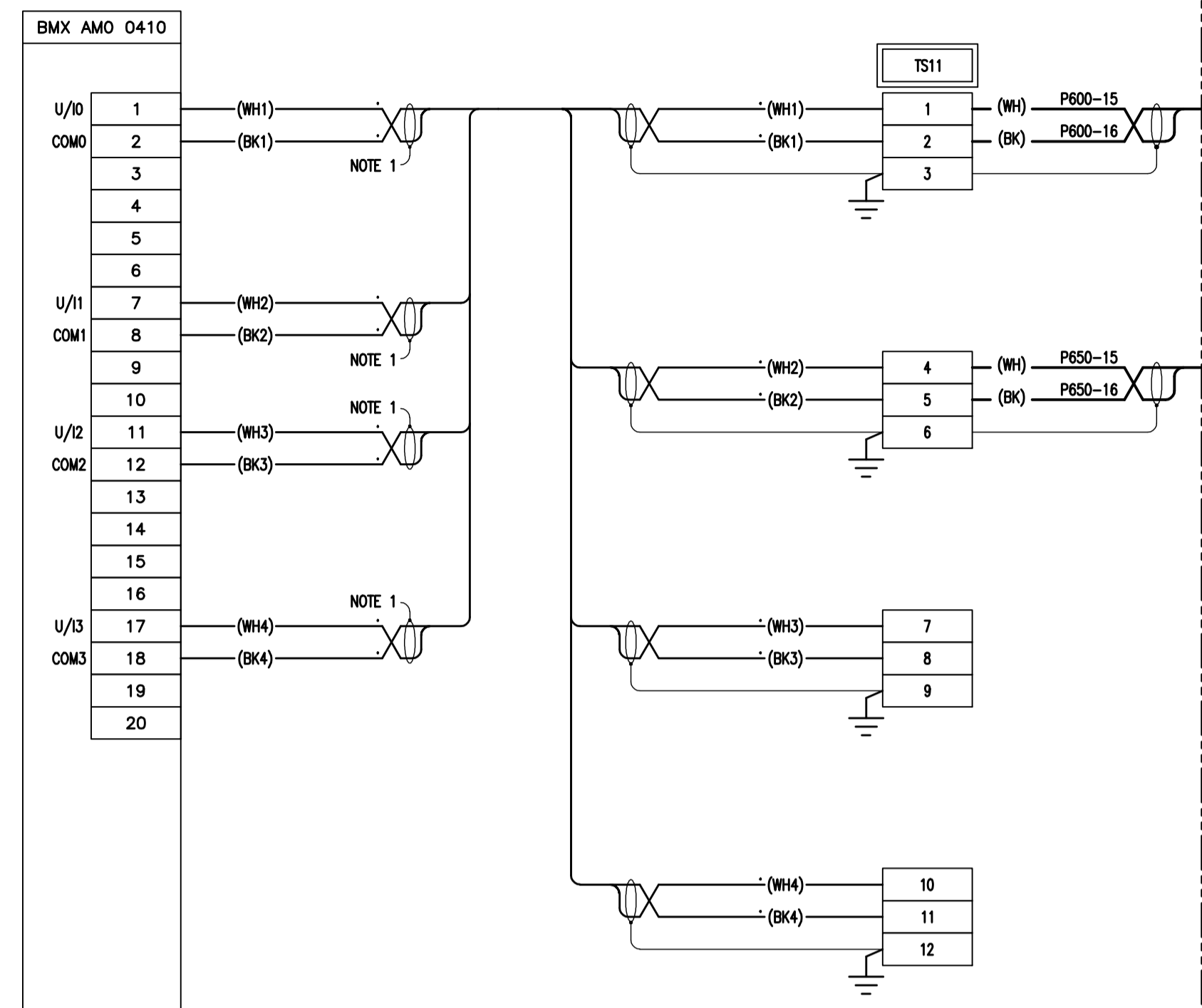


File Name: P:\Projects\2009\09-0754-08\Doc.Control\ToBeIssued\DWG\ELECTRICAL\1-0103P-A0015-001-Rev 00.dwg - Tab: 1-0103P-A0015-001-Rev 00.dwg - Tab: 1-0103P-A0015-001-Rev 00.dwg - Tab: 1-0103P-A0015-001-Rev 00.dwg [Thu 4:59pm]

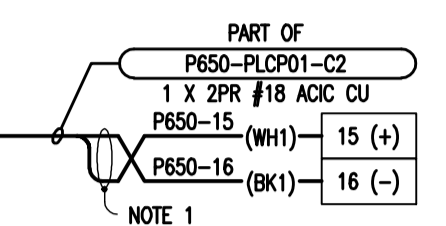
I/O MODULE, TELEFAST SUBBASE & TERMINALS

FIELD ENCLOSURE

FIELD DEVICE



P600-TC
MJA P600
TEMPERATURE SETPOINT



P650-TC
MJA P650
TEMPERATURE SETPOINT

NOTES:

1. TAPE BACK AND ISOLATE SHEILD AT THIS END ONLY.

LEGEND

- FIELD WIRING
- PANEL WIRING

APEGN
Certificate of Authorization
KGS Group
No. 245 Date: 2010/12/21

KGS GROUP
CONSULTING ENGINEERS

B.M. ELEV.	N/A	FIELD BOOK #:	
POSTED TO LBIS			
DESIGNED BY	REW/DDW	BY	REW
DRAWN BY	GCN	APPROVED BY	REW
HDR. SCALE	N.T.S.	RELEASED FOR CONSTRUCTION	
VERTICAL	N.T.S.		
ISSUED FOR TENDER	2010-12-21	REW	
NO. REVISIONS	DATE	BY	DATE
			2010-11-02

ALLIANCE
Engineering Services Inc.

ENGINEER'S SEAL
R.E. WILLMS
Member 3833
PROFESSORIAL ENGINEER

THE CITY OF WINNIPEG
WATER AND WASTE DEPARTMENT

2010 HVAC REPLACEMENT AND ASSOCIATED WORKS
WEWPC
AREA P - PRIMARY CLARIFIERS 1 & 2
SLOT 11 ANALOG OUTPUT LOOP DRAWING

SHEET 1 OF 1
CITY DRAWING NUMBER
1-0103P-A0015-001

TENDER No. PI26
FILENAME 1-0103P-A0015-001-Rev
PLDT DATE: 2010/12/16