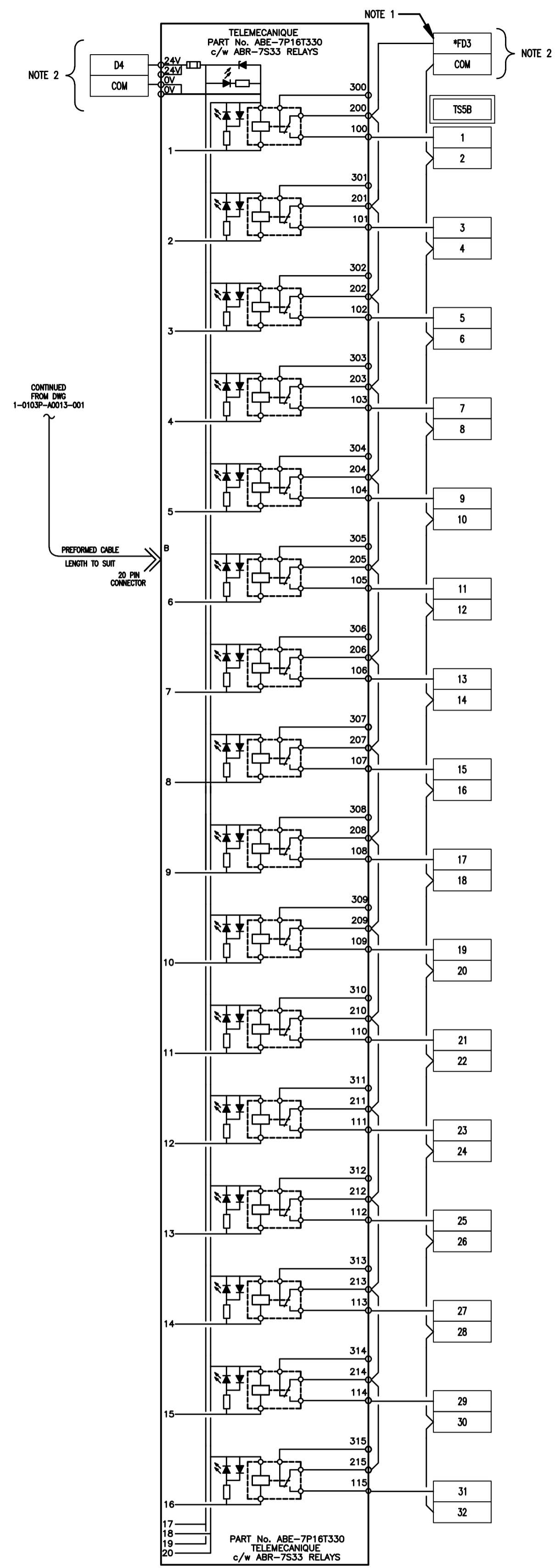


File Name: P:\Projects\2009\09-0754-08\Doc.Control\1-0103P-A0013-002-Rev 00.dwg - Tab. 1-0103P-A0013-002 Plotted By: G.Nelson 12/16/2010 [Thu 5:01pm]

I/O MODULE, TELEFAST SUBBASE & TERMINALS

FIELD ENCLOSURE

FIELD DEVICE



- NOTES:**
1. ASTERISK DENOTES FUSED DISCONNECT TERMINAL.
  2. REFER TO DWG 1-0103P-E0009-001 FOR DETAILS ON POWER SUPPLY.

- LEGEND**
- FIELD WIRING
  - PANEL WIRING

 Certificate of Authorization KGS Group No. 245 Date: 2010/12/21		B.M. ELEV. N/A	FIELD BOOK #:				2010 HVAC REPLACEMENT AND ASSOCIATED WORKS <b>WEWPCC</b> AREA P - PRIMARY CLARIFIERS 1 & 2 SLOT 5 DISCRETE OUTPUT LOOP DRAWING	SHEET 2 OF 2
		DESIGNED BY: REW/DDW      BY: REW DRAWN BY: GCN              APPROVED BY: REW HDR. SCALE: N.T.S.        RELEASED FOR CONSTRUCTION VERTICAL: N.T.S.						TENDER No. <b>PI2.4</b> FILENAME: 1-0103P-A0013-002-Rev 00.dwg PLOT DATE: 2010/12/16
00 ISSUED FOR TENDER      2010-12-21      REW NO. REVISIONS              DATE      BY		2010-06-23      DATE						