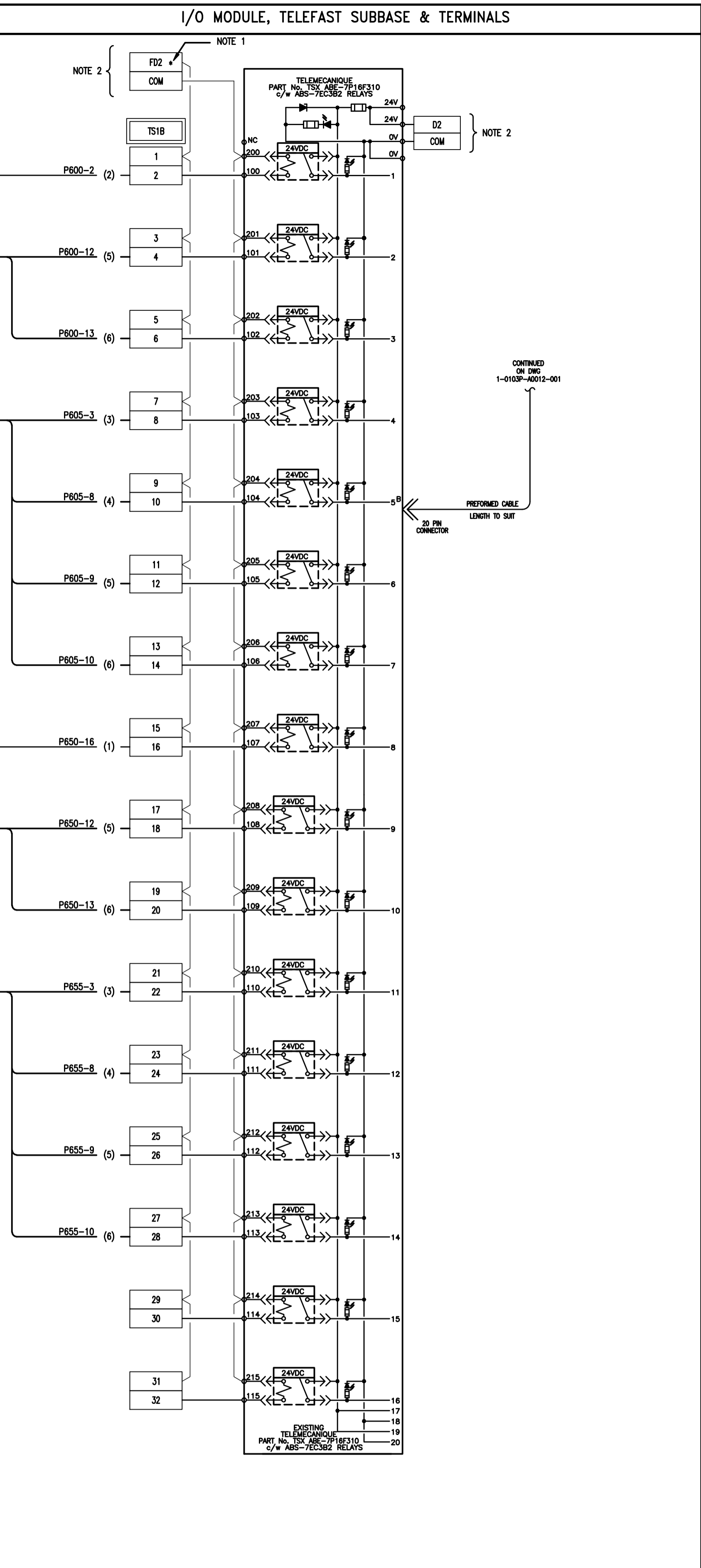
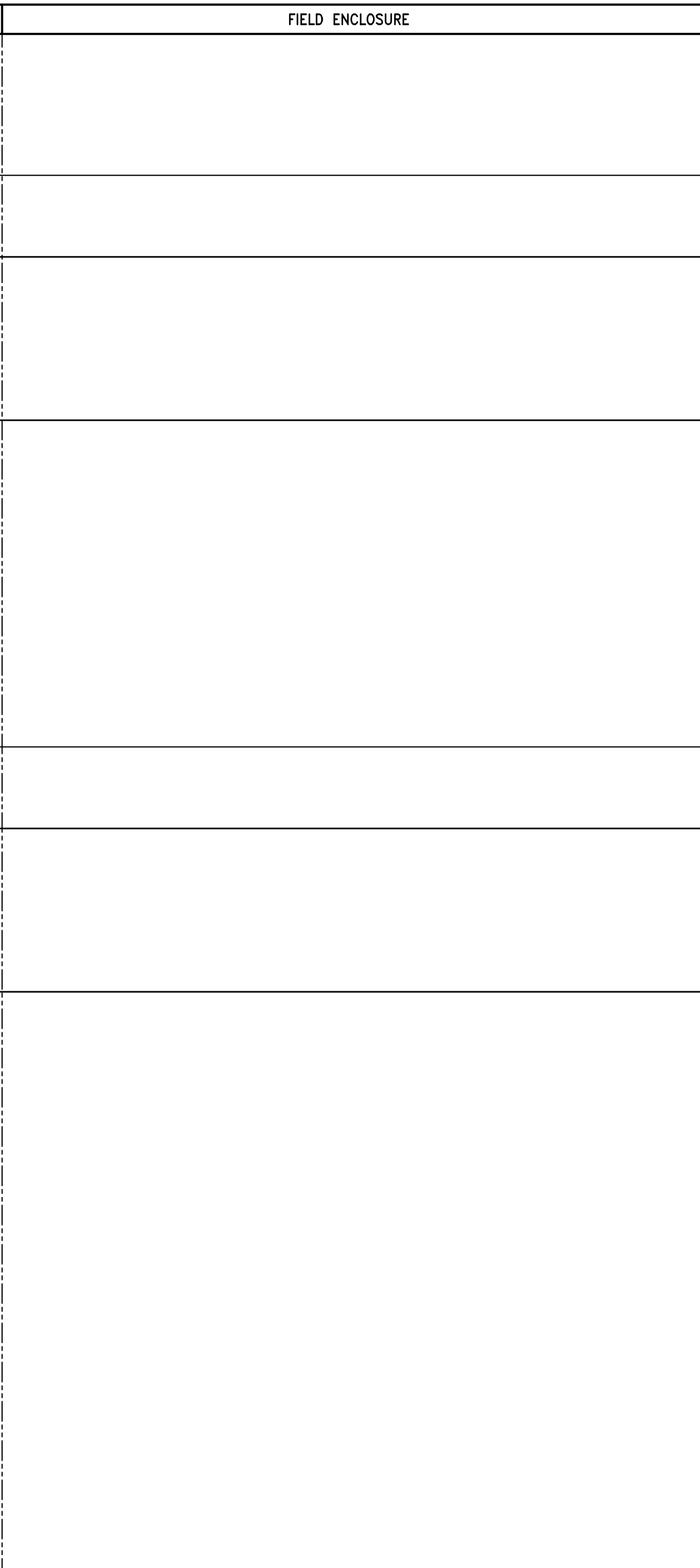
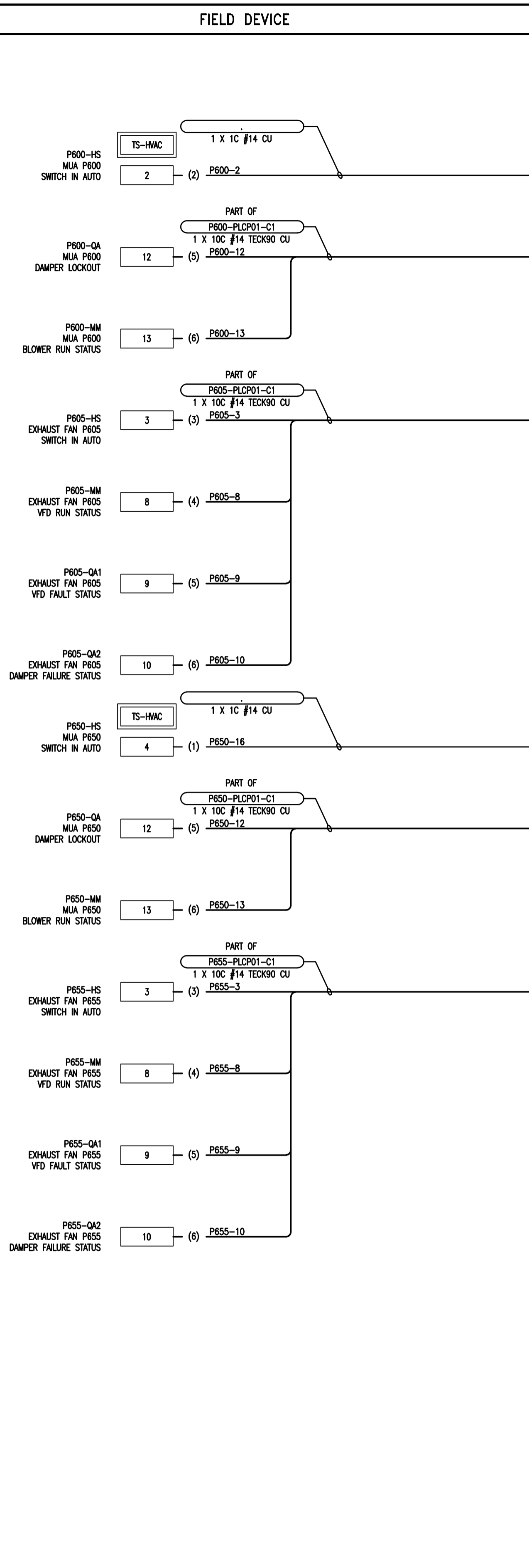


File Name: P:\Projects\2009\09-0754-08\Doc.Control\1-0103P-A0012-002-Rev 00.dwg - Tab: 1-0103P-A0012-002 Plotted By: G.Nelson 12/16/2010 [Thu 5:02pm]
 CW-9-M564-1



NOTES:

1. ASTERISK DENOTES FUSED DISCONNECT TERMINAL.
2. REFER TO DWG. 1-0103P-E0009-001 FOR DETAILS ON POWER SUPPLY.

LEGEND

— FIELD WIRING

— PANEL WIRING

 Certificate of Authorization KGS Group No. 245 Date: 2010/12/21		B.M. ELEV. N/A POSTED TO LBIS	FIELD BOOK #		ENGINEER'S SEAL 	 2010 HVAC REPLACEMENT AND ASSOCIATED WORKS WEWCC AREA P - PRIMARY CLARIFIERS 1 & 2 SHEET 1 DISCRETE INPUT LOOP DRAWING	SHEET 2 OF 2 CITY DRAWING NUMBER 1-0103P-A0012-002
		DESIGNED BY: REW/DDW DRAWN BY: GCN HDR. SCALE: N.T.S. VERTICAL: N.T.S.		BY: REW APPROVED BY: REW RELEASED FOR CONSTRUCTION: 2010-06-23		TENDER No. PI2.2 FILENAME 1-0103P-A0012-002-Rev PLOT DATE: 2010/12/16	