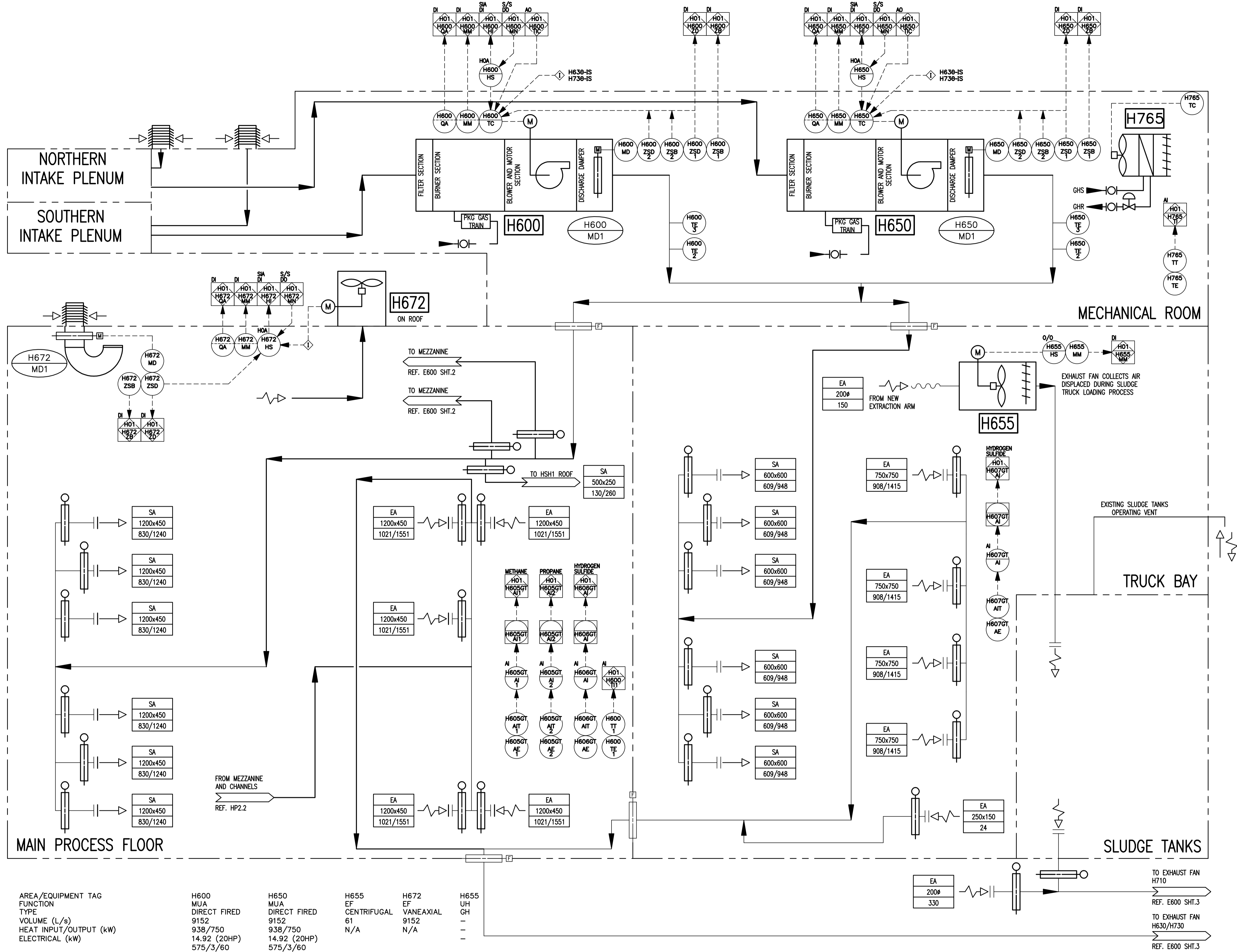


CW-10-M660-1
 F:\Projects\2009\09-0754-08_DocControl\ToBeIssued\DWG\ELECTRICAL\1-0103G-P0001-001-Rev 00.dwg - Tab: 1-0103G-P0001-001 Plotted By: G.Nelson 12/16/2010 [Thu 5:06pm]



AREA/EQUIPMENT TAG	H600	H650	H655	H672	H655
FUNCTION	MUA	MUA	EF	EF	UH
TYPE	DIRECT FIRED	DIRECT FIRED	CENTRIFUGAL	VANEAXIAL	GH
VOLUME (L/s)	9152	9152	61	9152	-
HEAT INPUT/OUTPUT (kW)	938/750	938/750	N/A	N/A	-
ELECTRICAL (kW)	14.92 (20HP)	14.92 (20HP)	-	-	-
	575/3/60	575/3/60	-	-	-

SEQUENCE OF OPERATION

DEVICE LISTING

TAG	DESCRIPTION
NON-PACKAGED	
H600-TE/TT-1	HEADWORKS MAIN PROCESS FLOOR TEMPERATURE
H605GT-AE/AIT-1	HEADWORKS MAIN PROCESS FLOOR METHANE DETECTOR
H605GT-AE/AIT-2	HEADWORKS MAIN PROCESS FLOOR PROPANE DETECTOR
H606GT-AE/AIT	HEADWORKS MAIN PROCESS FLOOR HYDROGEN SULFIDE DETECTOR
H607GT-AE/AIT	HEADWORKS MAIN PROCESS FLOOR HYDROGEN SULFIDE DETECTOR
H655-HS	EF H655 ON-OFF SWITCH
H655-MM	EF H655 RUN STATUS
H672-MD	EF H672 INTAKE DAMPER ACTUATOR
H672-ZSD	EF H672 INTAKE DAMPER OPEN LIMIT SWITCH
H672-ZSB	EF H672 INTAKE DAMPER CLOSED LIMIT SWITCH
H672-MM	EF H672 RUN STATUS
H672-QA	EF H672 FAULT STATUS
H672-HS	EF H672 HAND-OFF-AUTO SWITCH
H672-MN	EF H672 START/STOP
H765-TE/TT	HEADWORKS MECHANICAL ROOM TEMPERATURE
PACKAGED	
H600-TC	MUA H600 TEMPERATURE CONTROLLER
H600-MM	MUA H600 CURRENT SENSING RELAY FOR BLOWER
H600-QA	MUA H600 FAULT
H600-TE2	MUA H600 DISCHARGE DUCT TEMPERATURE
H600-TE3	MUA H600 FREEZE PROTECTION
H600-MD	MUA H600 DISCHARGE DAMPER ACTUATOR
H600-HS	MUA H600 HAND-OFF-AUTO SWITCH
H600-ZSD-1/2	OPEN LIMIT SWITCH FOR MUA H600 DISCHARGE DAMPER
H600-ZSB-1/2	CLOSED LIMIT SWITCH FOR MUA H600 DISCHARGE DAMPER
H650-TC	MUA H650 TEMPERATURE CONTROLLER
H650-MM	MUA H650 CURRENT SENSING RELAY FOR BLOWER
H650-QA	MUA H650 FAULT
H650-TE2	MUA H650 DISCHARGE DUCT TEMPERATURE
H650-TE3	MUA H650 FREEZE PROTECTION
H650-MD	MUA H650 DISCHARGE DAMPER ACTUATOR
H650-HS	MUA H650 HAND-OFF-AUTO SWITCH
H650-ZSD-1/2	OPEN LIMIT SWITCH FOR MUA H650 DISCHARGE DAMPER
H650-ZSB-1/2	CLOSED LIMIT SWITCH FOR MUA H650 DISCHARGE DAMPER
H765-TC	UNIT HEATER THERMOSTAT

<p>APEGN Certificate of Authorization KGS Group No. 245 Date: 2010/12/21</p>	<p>KGS GROUP CONSULTING ENGINEERS</p>	<p>B.M. ELEV. _____ FIELD BOOK # _____ POSTED TO LISB _____ DESIGNED BY JC/DDW CHECKED BY REW DRAWN BY DDW APPROVED BY REW HOR. SCALE N.T.S. VERTICAL N.T.S. ISSUED FOR TENDER 2010-12-21 REW NO. REVISIONS DATE BY DATE 2010 07 15</p>	<p>ALLIANCE Engineering Services Inc. ENGINEER'S SEAL R.E. WILLMS Member 3833 TENDER No. HP2.1 FILENAME: 1-0103G-P0001-001-Rev 00 PLOT DATE: 2010/12/16</p>	<p>THE CITY OF WINNIPEG WATER AND WASTE DEPARTMENT 2010 HVAC REPLACEMENT AND ASSOCIATED WORKS WEWPCC AREA H - HEADWORKS PROCESS & INSTRUMENTATION DIAGRAM</p>	<p>SHEET 1 OF 3 CITY DRAWING NUMBER 1-0103G-P0001-001</p>
---	--	---	---	---	---