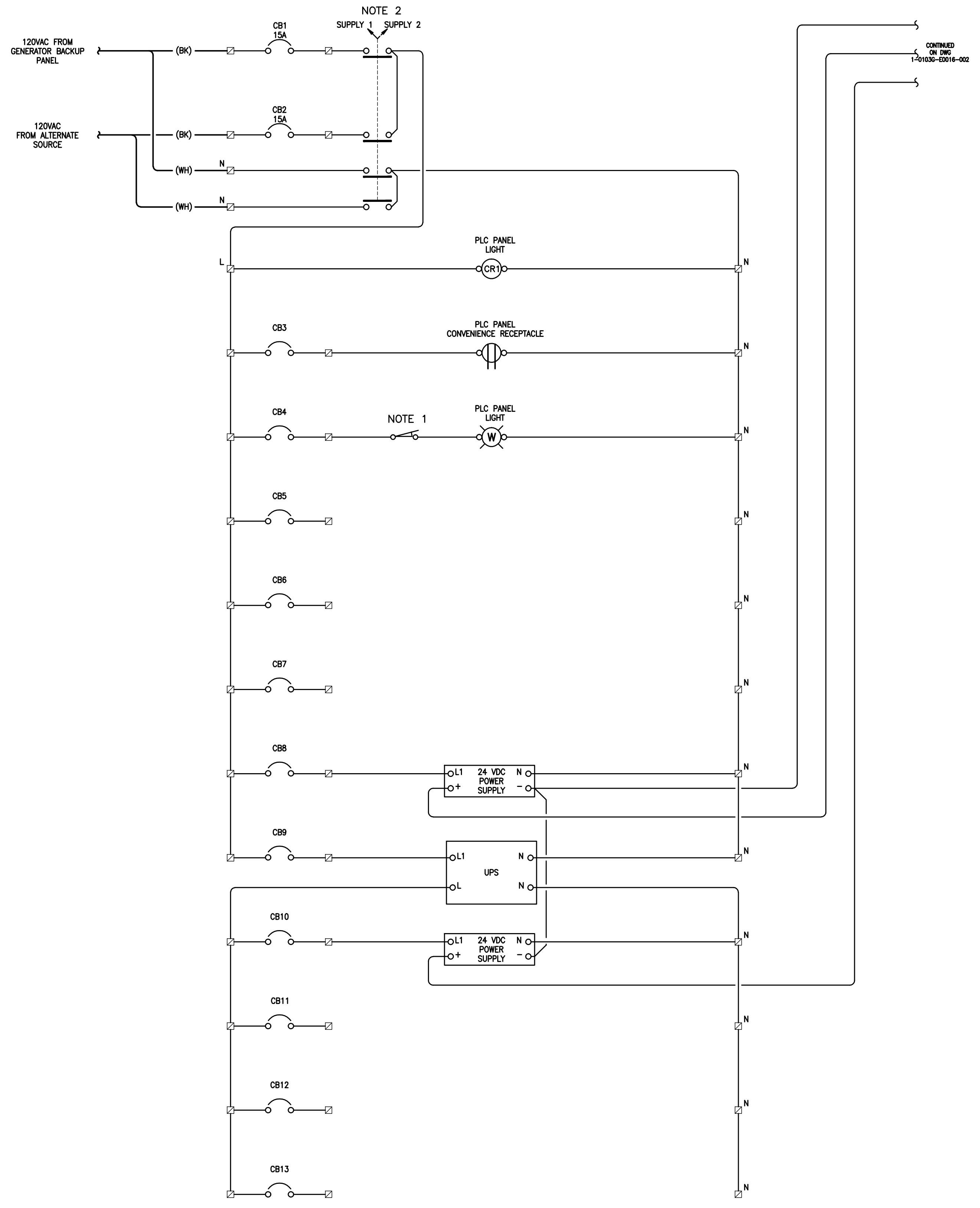
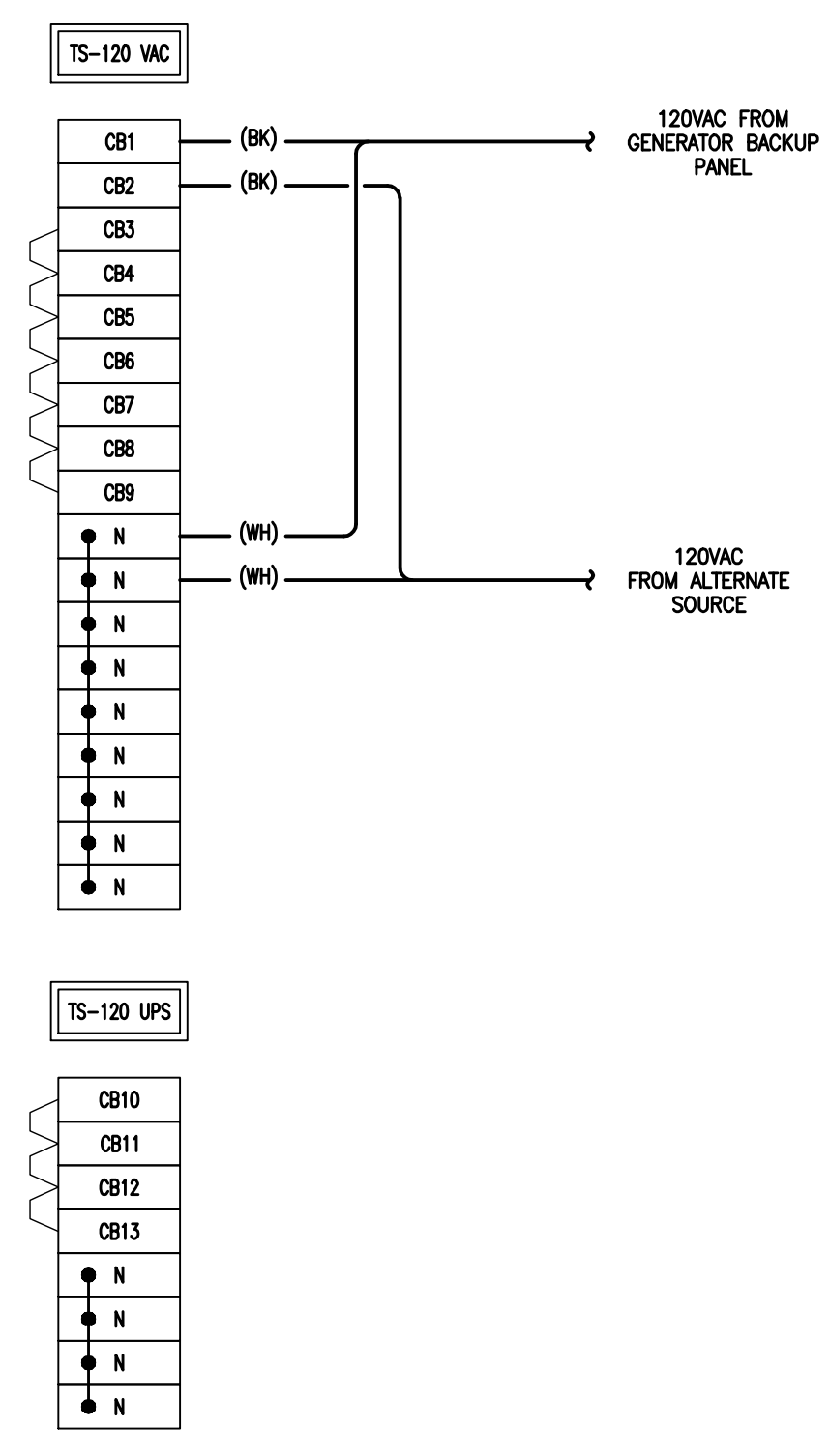


CW-9-M564-1
 File Name: P:\Projects\2009\09-0754-08\Dwg\Elec\1-0103G-E0016-001.dwg - Tab: 1-0103G-E0016-001 Plotted By: G Nelson 12/22/2010 [Wed 9:52am]



H934-XA
 CR1
 NOTE 4



- NOTES:**
1. DOOR MOUNTED LIMIT SWITCH TO ACTIVATE LIGHT WHEN PANEL DOOR IS OPENED.
 2. POWER SUPPLY SELECTION SWITCH SHALL BE MOUNTED TO THE INTERIOR OF THE PLC PANEL.
 3. CIRCUIT BREAKERS SHALL BE WEIDMULLER CB4200 SERIES CIRCUIT BREAKERS OR APPROVED EQUAL, IN ACCORDANCE WITH BG.
 4. REFER TO DWG. 1-0103G-A0002-001 FOR CONNECTION DETAILS ON POWER STATUS.

- LEGEND**
- DEVICE TERMINALS
 - ▣ PLC TERMINALS
 - FIELD WIRING
 - PANEL WIRING
 - () CONDUCTOR IDENTIFICATION
 - WIRE CONNECTION
 - ⊙ PILOT LIGHT
 - ETM ELAPSED TIME METER
 - ◁ OUTPUT ▷ PLC OUTPUT
 - ▷ INPUT ◁ PLC INPUT

APEGN
 Certificate of Authorization
 KGS Group
 No. 245 Date: 2010/12/21

KGS GROUP
 CONSULTING ENGINEERS

B.M. ELEV.	FIELD BOOK #:
POSTED TO LBIS	
DESIGNED BY	REW/DDW
DRAWN BY	GCN
HDR. SCALE	N.T.S.
VERTICAL	N.T.S.
00 ISSUED FOR TENDER	2010-12-21 REW
NO. REVISIONS	DATE BY

ALLIANCE
Engineering Services Inc.

DESIGNED BY	REW/DDW	CHECKED BY	REW
DRAWN BY	GCN	APPROVED BY	REW
RELEASED FOR CONSTRUCTION	2010 07 02		

ENGINEER'S SEAL

TENDER No. HE2.17
 FILENAME: 1-0103G-E0016-001.dwg
 PLDT DATE: 2010/12/22

THE CITY OF WINNIPEG
 WATER AND WASTE DEPARTMENT

2010 HVAC REPLACEMENT
 AND ASSOCIATED WORKS
WEWPC
 AREA H - HEADWORKS
 PLC PANEL PDWER SCHEMATIC

SHEET 1 OF 2
 CITY DRAWING NUMBER
 1-0103G-E0016-001