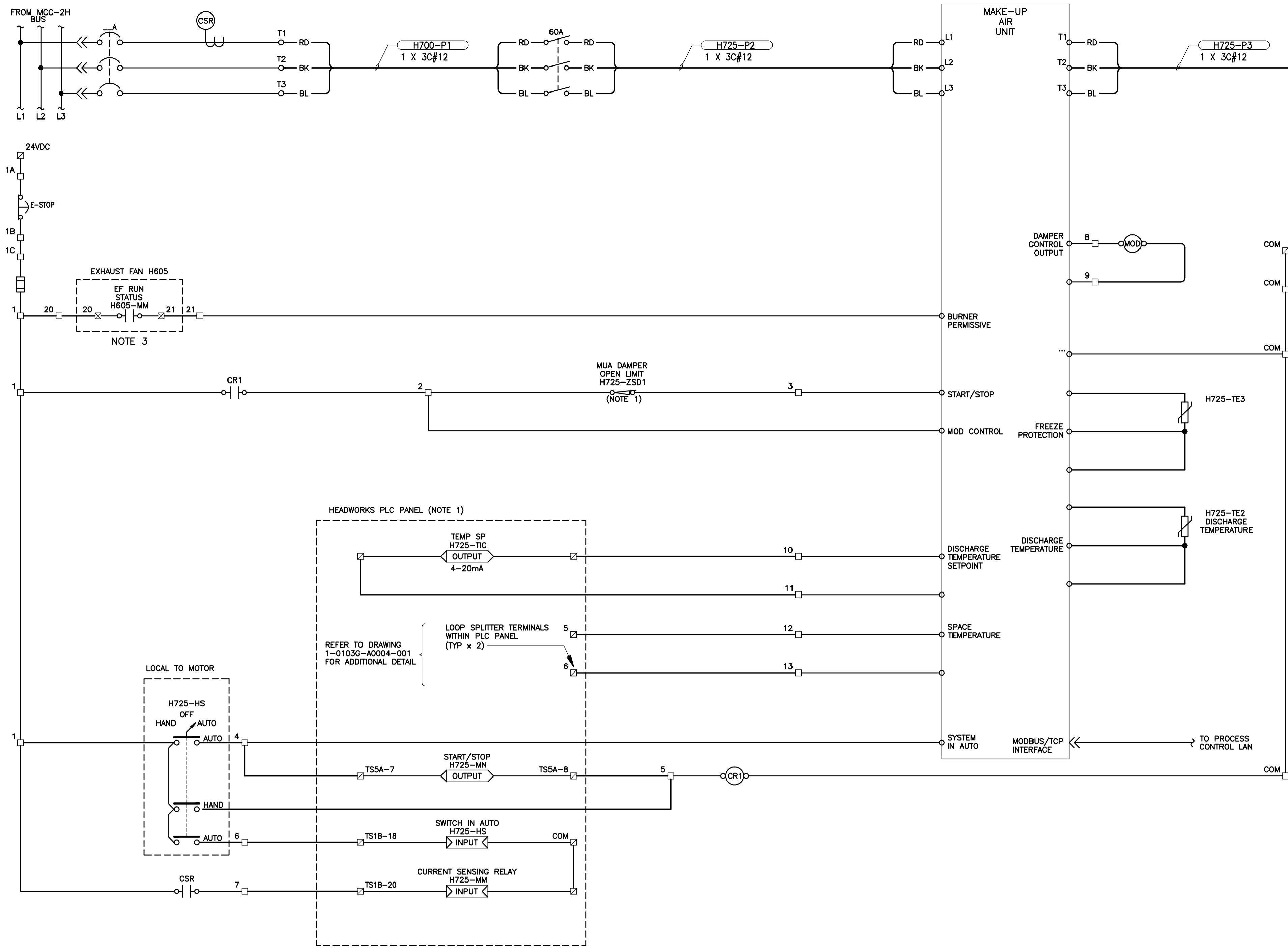


CW-9-M564-1
 File Name: P:\Projects\2009\09-0754-08\DocControl\ToBeIssued\DWG\ELECTRICAL\1-0103G-E0011-001-Rev 00.dwg - Tab: 1-0103G-E0011-001 Plotted By: G.Nelson 12/16/2010 [Thu 5:10pm]

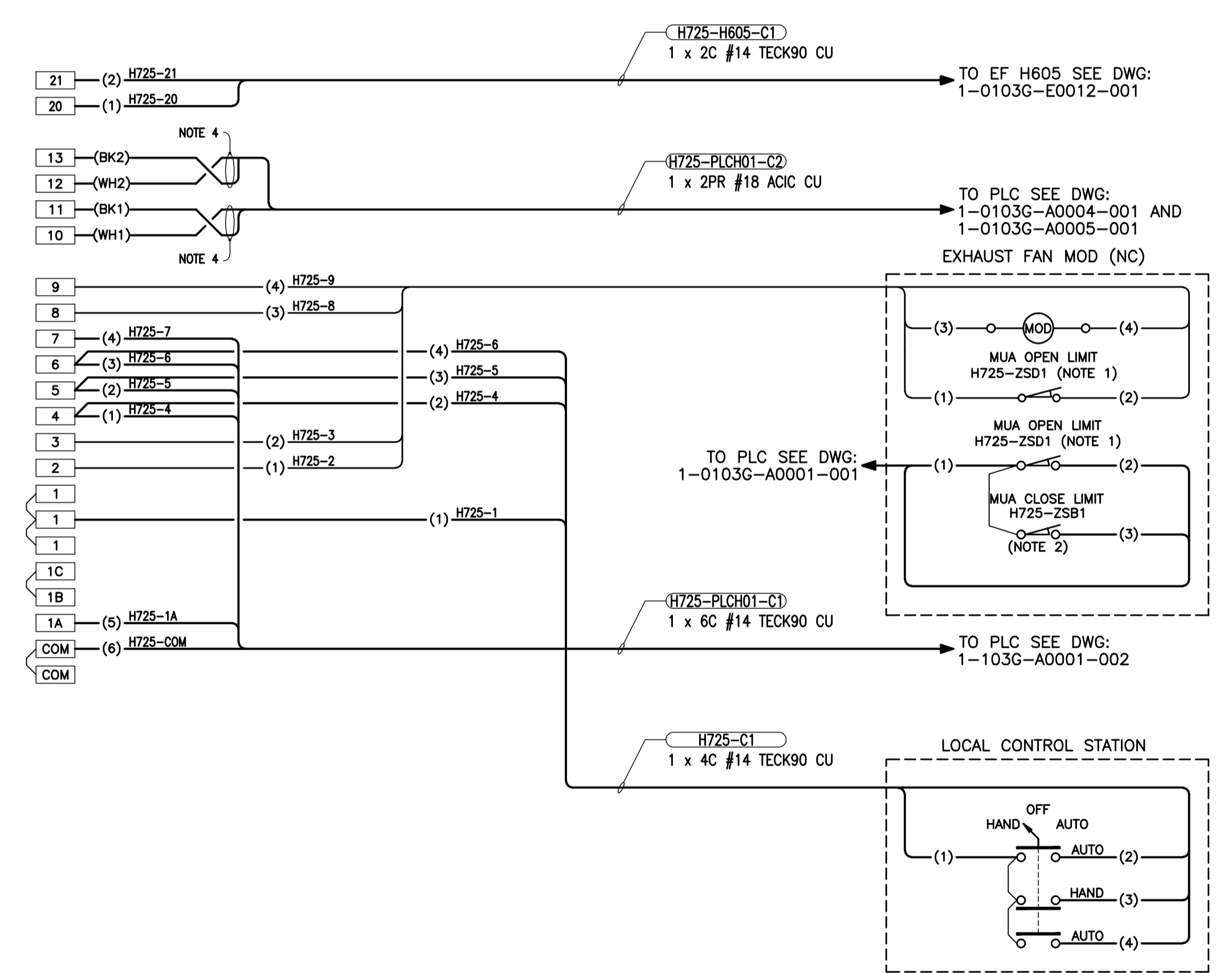


LEGEND

- MUA U600 TERMINALS
- ⊠ PLC TERMINALS
- ⊞ P605 STARTER TERMINALS
- P655 STARTER TERMINALS
- FIELD WIRING
- PANEL WIRING
- ◁ OUTPUT ▷ PLC OUTPUT
- ▷ INPUT ◁ PLC INPUT

NOTES:

1. LIMIT SWITCH CONTACT CLOSING WHEN DAMPER PROVES FULLY OPEN.
2. LIMIT SWITCH CONTACT CLOSING WHEN DAMPER PROVES FULLY CLOSED.
3. CONTACT CLOSING WHEN ADEQUATE CURRENT IS DRAWN TO PROVE MOTOR IS RUNNING.
4. ISOLATE AND TAPE BACK SHIELD AT THIS END ONLY.



REFERENCE DRAWINGS:

 Certificate of Authorization KGS Group No. 245 Date: 2010/12/21		B.M. ELEV. . POSTED TO LBIS	FIELD BOOK #: .	 DESIGNED BY: REW/DDW DRAWN BY: GCN HDR. SCALE: N.T.S. VERTICAL: N.T.S. 00 ISSUED FOR TENDER 2010-12-21 REW ND. REVISIONS DATE BY DATE 2010 07 15 DATE	ENGINEER'S SEAL 	 2010 HVAC REPLACEMENT AND ASSOCIATED WORKS WEWPC AREA H - HEADWORKS MUA-H725, MCC-2H SCHEMATIC & WIRING DIAGRAM	SHEET 1 OF 1 CITY DRAWING NUMBER 1-0103G-E0011-001
---	--	--------------------------------	--------------------	--	---------------------	---	--