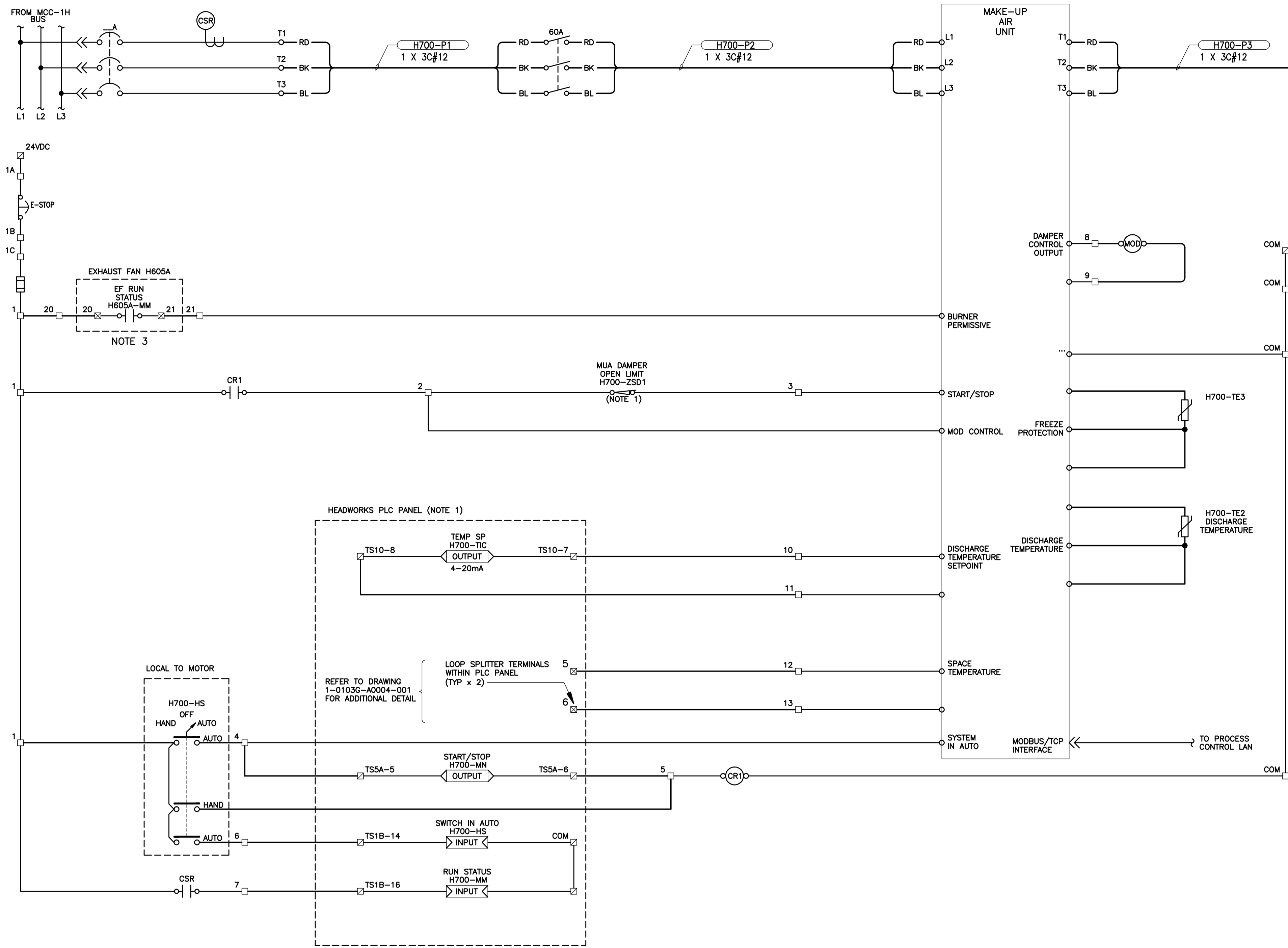


File Name: P:\Projects\2009\09-0754-08\DocControl\ToBeIssued\DWG\ELECTRICAL\1-0103G-E0009-001-Rev 00.dwg - Tab: 1-0103G-E0009-001 Plotted By: G.Nelson 12/16/2010 [Thu 5:12pm]

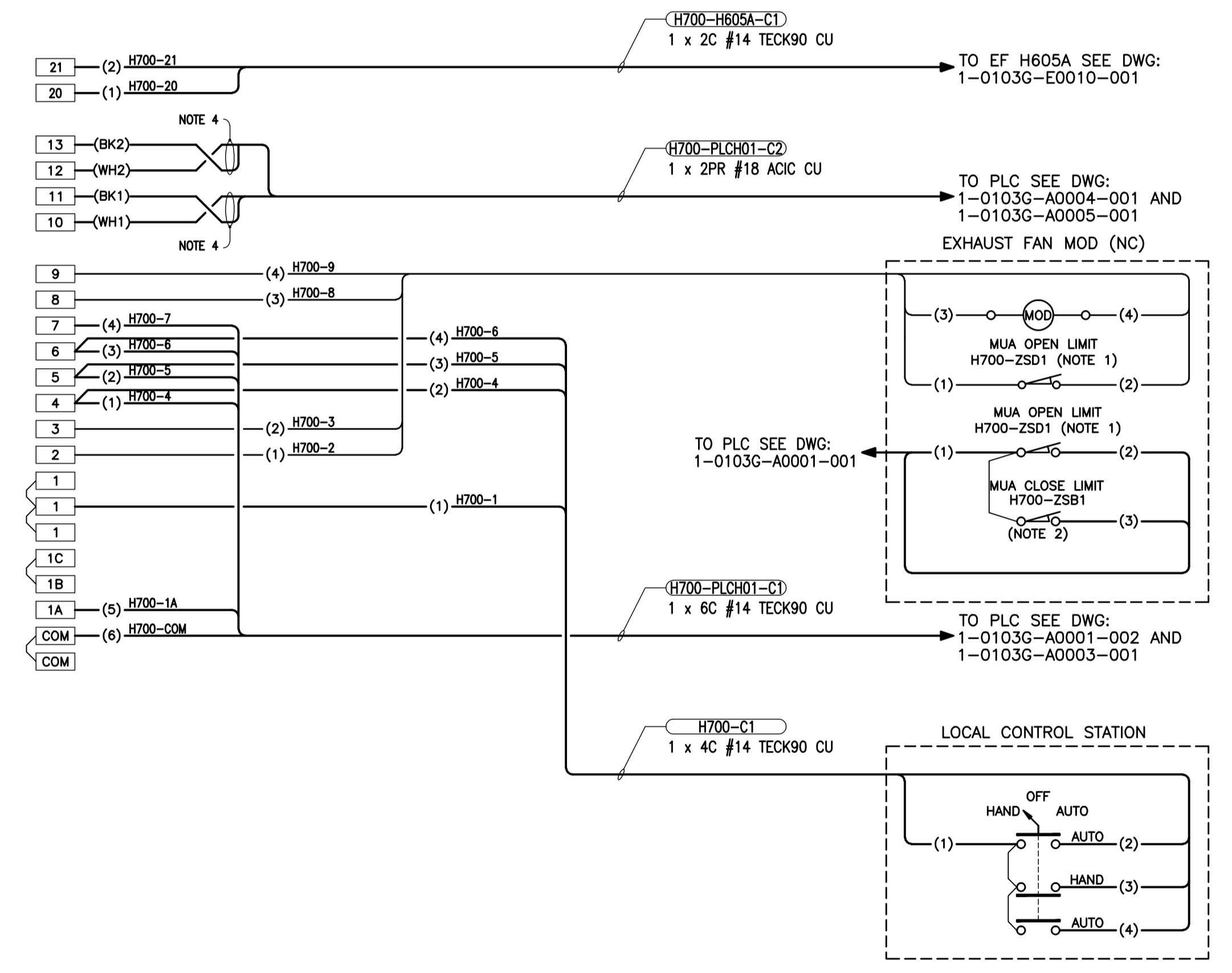


LEGEND

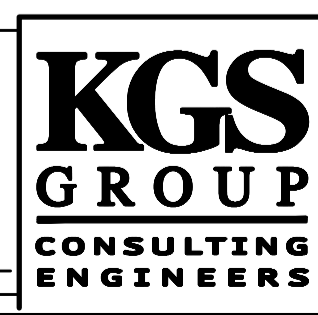
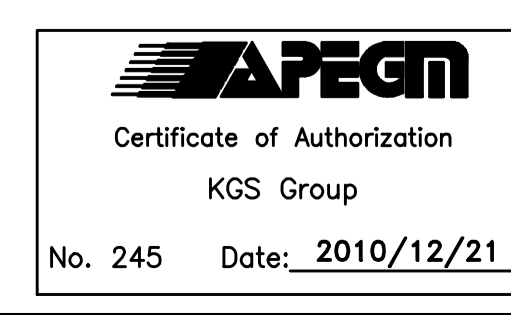
- MUA U600 TERMINALS
- ⊠ PLC TERMINALS
- ⊞ P605 STARTER TERMINALS
- ⊡ P655 STARTER TERMINALS
- FIELD WIRING
- PANEL WIRING
- ◁ OUTPUT ▷ PLC OUTPUT
- ▷ INPUT ◁ PLC INPUT

NOTES:

1. LIMIT SWITCH CONTACT CLOSING WHEN DAMPER PROVES FULLY OPEN.
2. LIMIT SWITCH CONTACT CLOSING WHEN DAMPER PROVES FULLY CLOSED.
3. CONTACT CLOSING WHEN ADEQUATE CURRENT IS DRAWN TO PROVE MOTOR IS RUNNING.
4. ISOLATE AND TAPE BACK SHIELD THIS END ONLY.



REFERENCE DRAWINGS:



NO.	REVISIONS	DATE	BY
00	ISSUED FOR TENDER	2010-12-21	REW

ALLIANCE
Engineering Services Inc.

DESIGNED BY: REW/DDW	CHECKED BY: REW
DRAWN BY: GCN	APPROVED BY: REW
HDR. SCALE: N.T.S.	RELEASED FOR CONSTRUCTION
VERTICAL: N.T.S.	
DATE: 2010 07 15	DATE:

ENGINEER'S SEAL

 TENDER No. HE2.9
 FILENAME: 1-0103G-E0009-001-Rev
 PLDT DATE: 2010/12/16

THE CITY OF WINNIPEG
WATER AND WASTE DEPARTMENT

2010 HVAC REPLACEMENT AND ASSOCIATED WORKS
WEWPC
 AREA H - HEADWORKS
 MUA-H700, MCC-1H SCHEMATIC & WIRING DIAGRAM

SHEET 1 OF 1
 CITY DRAWING NUMBER
 1-0103G-E0009-001