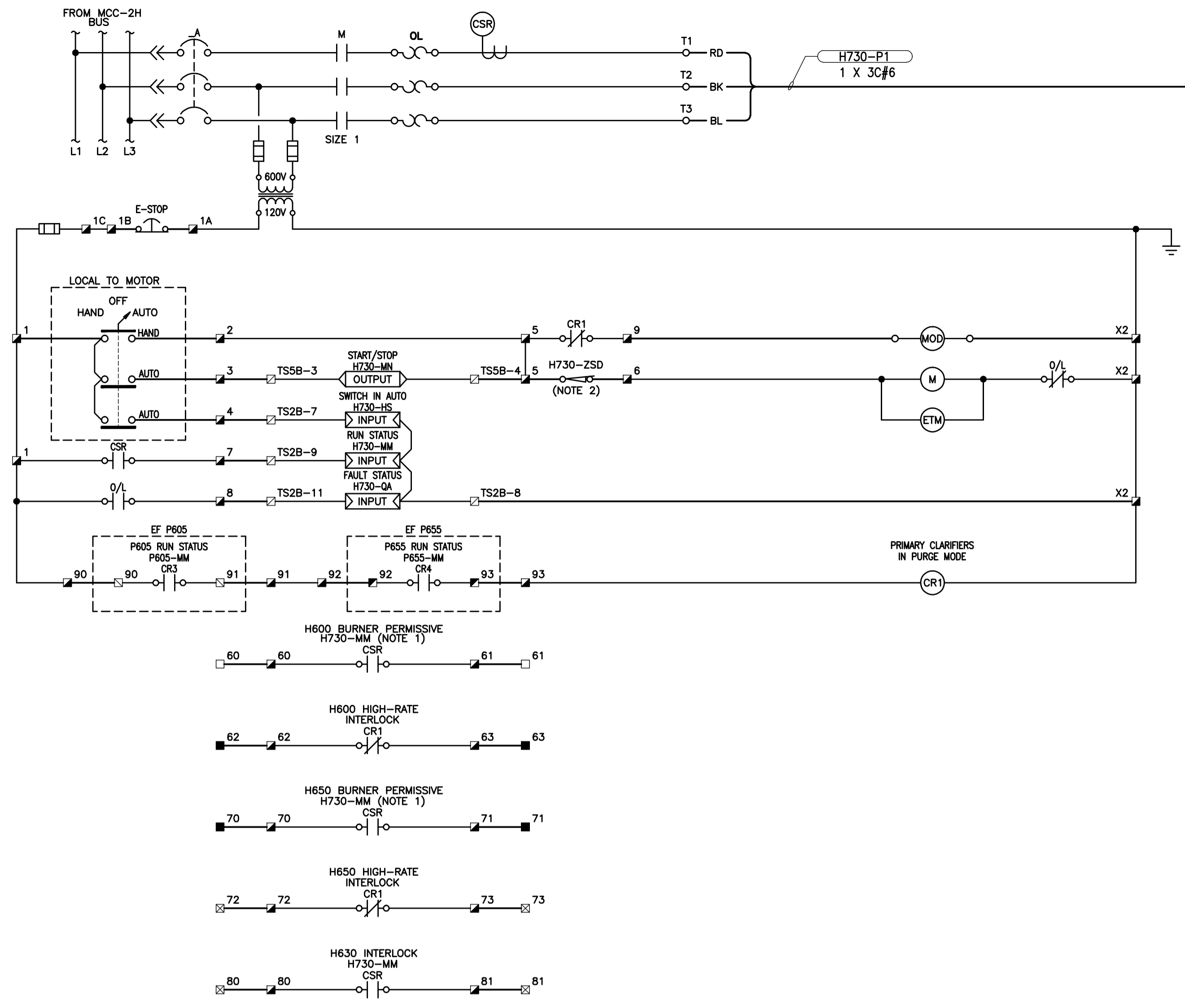
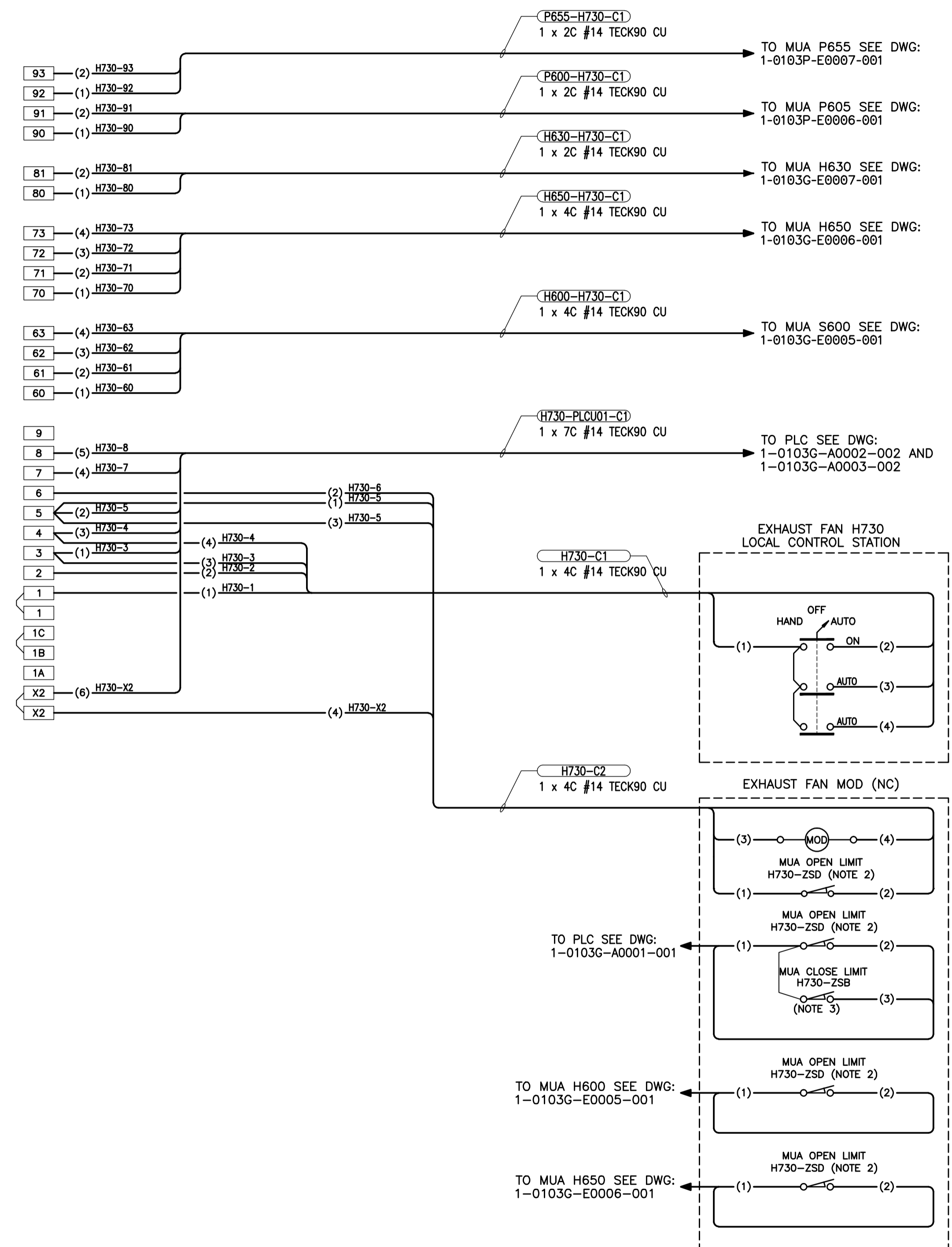


CW-9-M564-1
 File Name: P:\Projects\2009\09-0754-08\DocControl\ToBeIssued\DWG\ELECTRICAL\1-0103G-E0008-001-Rev 00.dwg - Tab: 1-0103G-E0008-001-Rev 00.dwg - Thu 5:13pm
 Plotted By: GNeilson 12/16/2010



- LEGEND**
- PLC TERMINALS
 - EF H630 STARTER TERMINALS
 - EF H730 STARTER TERMINALS
 - MUA H600 TERMINALS
 - MUA H650 TERMINALS
 - EF P605 TERMINALS
 - EF P655 TERMINALS
 - FIELD WIRING
 - PANEL WIRING
 - () CONDUCTOR IDENTIFICATION
 - WIRE CONNECTION
 - PILOT LIGHT
 - ETM ELAPSED TIME METER
 - OUTPUT PLC OUTPUT
 - INPUT PLC INPUT

- NOTES:**
- CONTACT CLOSES WHEN ADEQUATE CURRENT IS DRAWN TO PROVE EXHAUST FAN IS RUNNING.
 - LIMIT SWITCH CONTACT CLOSES WHEN DAMPER PROVES FULLY OPEN.
- CONSTRUCTION NOTES:**
- REPLACE EXISTING STARTER WRAPPER WITH NEW WITH FEATURES SHOWN ON SCHEMATIC.



 Certificate of Authorization KGS Group No. 245 Date: 2010/12/21		B.M. ELEV. . POSTED TO LBIS	FIELD BOOK #: DESIGNED BY DDW CHECKED BY REW DRAWN BY GCN APPROVED BY REW HDR. SCALE N.T.S. VERTICAL N.T.S. RELEASED FOR CONSTRUCTION 2010 10 13	ALLIANCE <i>Engineering Services Inc.</i>	ENGINEER'S SEAL 	 THE CITY OF WINNIPEG WATER AND WASTE DEPARTMENT 2010 HVAC REPLACEMENT AND ASSOCIATED WORKS WEWPC AREA H - HEADWORKS EF-H730 FVNR SCHEMATIC & WIRING DIAGRAM	SHEET 1 OF 1 CITY DRAWING NUMBER 1-0103G-E0008-001
---	--	--------------------------------	--	---	---------------------	--	--