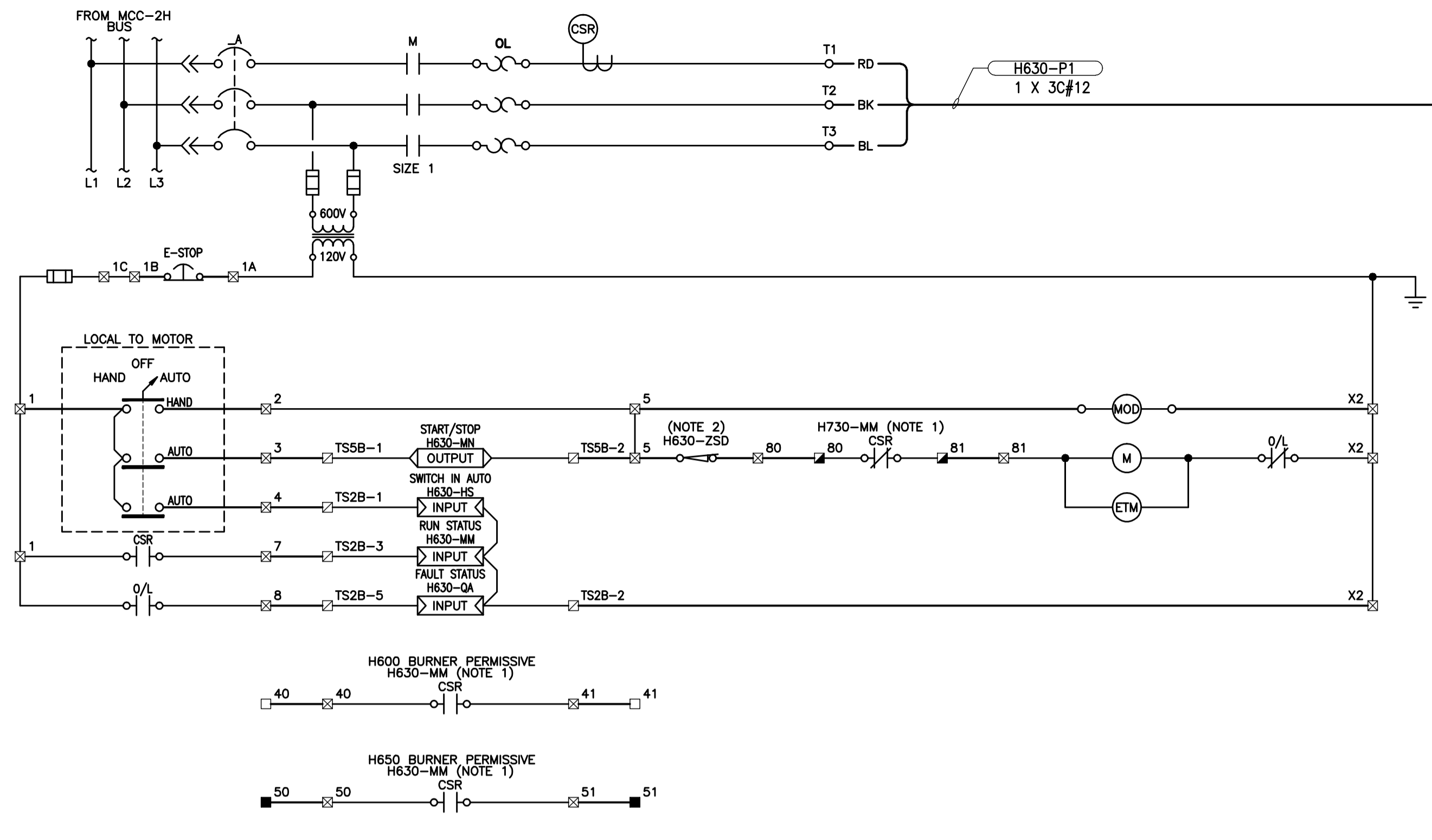


CW-9-M564-1  
 File Name: P:\Projects\2009\09-0754-08\Doc\Control\ToBeIssued\DWG\ELECTRICAL\1-0103G-E0007-001-Rev 00.dwg - Tab: 1-0103G-E0007-001 Plotted By: G.Nelson 12/16/2010 [Thu 5:13pm]



**LEGEND**

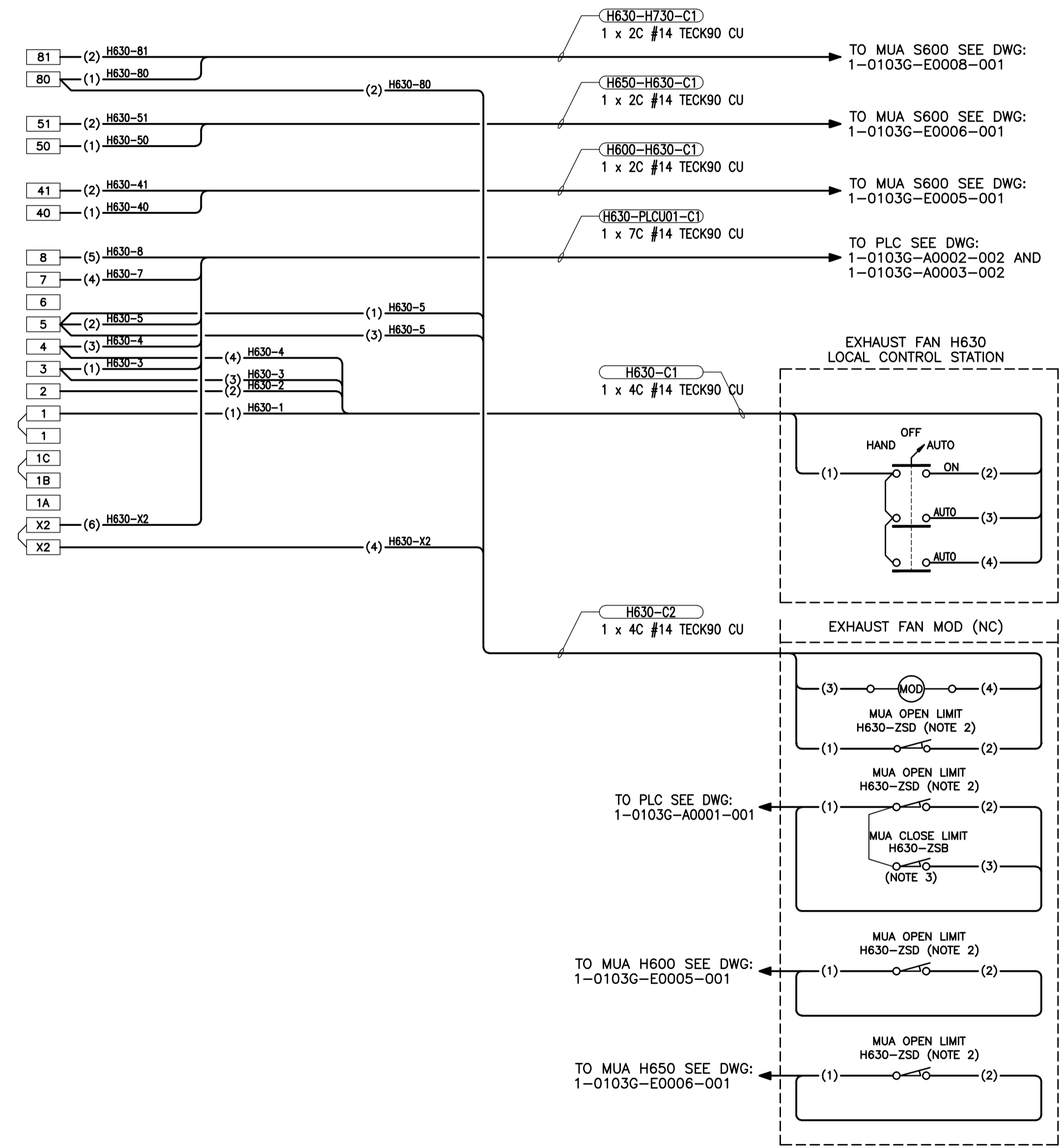
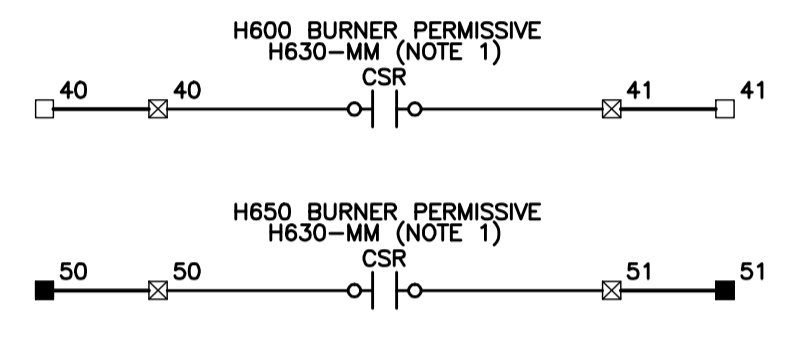
- ☐ PLC TERMINALS
- ☒ EF H630 STARTER TERMINALS
- ☑ EF H730 STARTER TERMINALS
- MUA H600 TERMINALS
- MUA H650 TERMINALS
- FIELD WIRING
- PANEL WIRING
- ( ) CONDUCTOR IDENTIFICATION
- WIRE CONNECTION
- PILOT LIGHT
- ETM ELAPSED TIME METER
- OUTPUT PLC OUTPUT
- INPUT PLC INPUT

**NOTES:**

1. CONTACT CLOSURES WHEN ADEQUATE CURRENT IS DRAWN TO PROVE EXHAUST FAN IS RUNNING.
2. LIMIT SWITCH CONTACT CLOSURES WHEN DAMPER PROVES FULLY OPEN.
3. LIMIT SWITCH CONTACT CLOSURES WHEN DAMPER PROVES FULLY CLOSED.

**CONSTRUCTION NOTES:**

1. REPLACE EXISTING STARTER WRAPPER WITH NEW WITH FEATURES SHOWN ON SCHEMATIC.



**APEGN**  
 Certificate of Authorization  
 KGS Group  
 No. 245 Date: 2010/12/21

**KGS GROUP**  
 CONSULTING ENGINEERS

B.M. ELEV.	FIELD BOOK #:
POSTED TO LBIS	
DESIGNED BY DDW	CHECKED BY REW
DRAWN BY GCN	APPROVED BY REW
HDR. SCALE N.T.S.	RELEASED FOR CONSTRUCTION
VERTICAL N.T.S.	
00 ISSUED FOR TENDER	2010-12-21 REW
NO. REVISIONS	DATE BY
	2009 09 29

**ALLIANCE**  
 Engineering Services Inc.

DESIGNED BY DDW CHECKED BY REW  
 DRAWN BY GCN APPROVED BY REW  
 HDR. SCALE N.T.S. RELEASED FOR CONSTRUCTION  
 VERTICAL N.T.S.

TENDER No. HE2.7  
 FILENAME: 1-0103G-E0007-001-Rev 00.dwg  
 PLOT DATE: 2010/12/16

ENGINEER'S SEAL  
 PROVINCE OF MANITOBA  
**R.E. WILLMS**  
 Member 3833  
 REGISTERED PROFESSIONAL ENGINEER

**THE CITY OF WINNIPEG**  
 WATER AND WASTE DEPARTMENT

2010 HVAC REPLACEMENT AND ASSOCIATED WORKS  
**WEWPC**  
 AREA H - HEADWORKS  
 FVNR SCHEMATIC & WIRING DIAGRAM

SHEET 1 OF 1  
 CITY DRAWING NUMBER  
 1-0103G-E0007-001