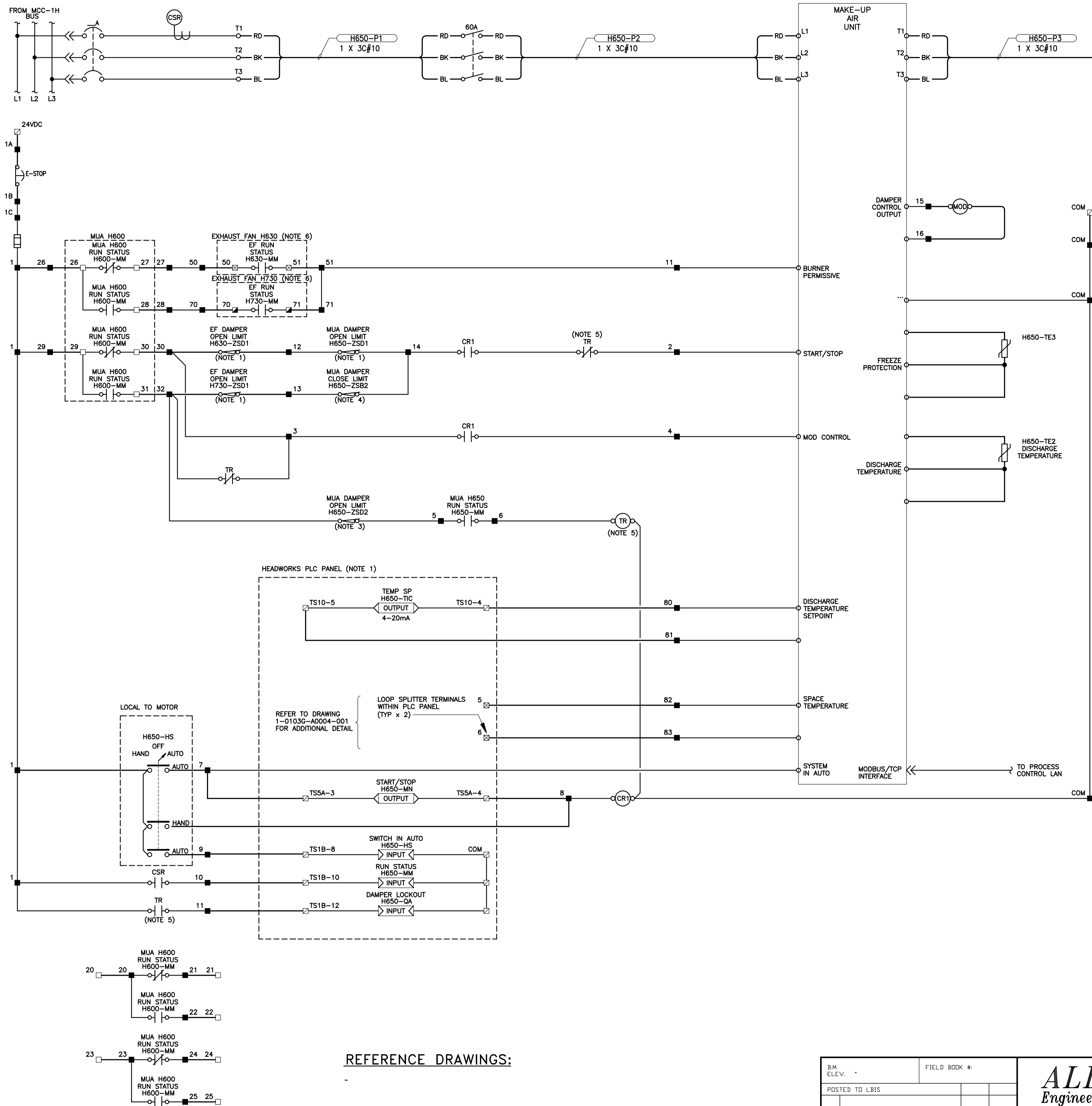


CW-9-M564-1
 P:\Projects\2009\09-0754-08\Doc\Control\ToBeIssued\DWG\ELECTRICAL\1-0103G-E0006-001-Rev 00.dwg - Tab: 1-0103G-E0006-001 Plotted By: G.Nelson 12/16/2010 [Thu 5:14pm]

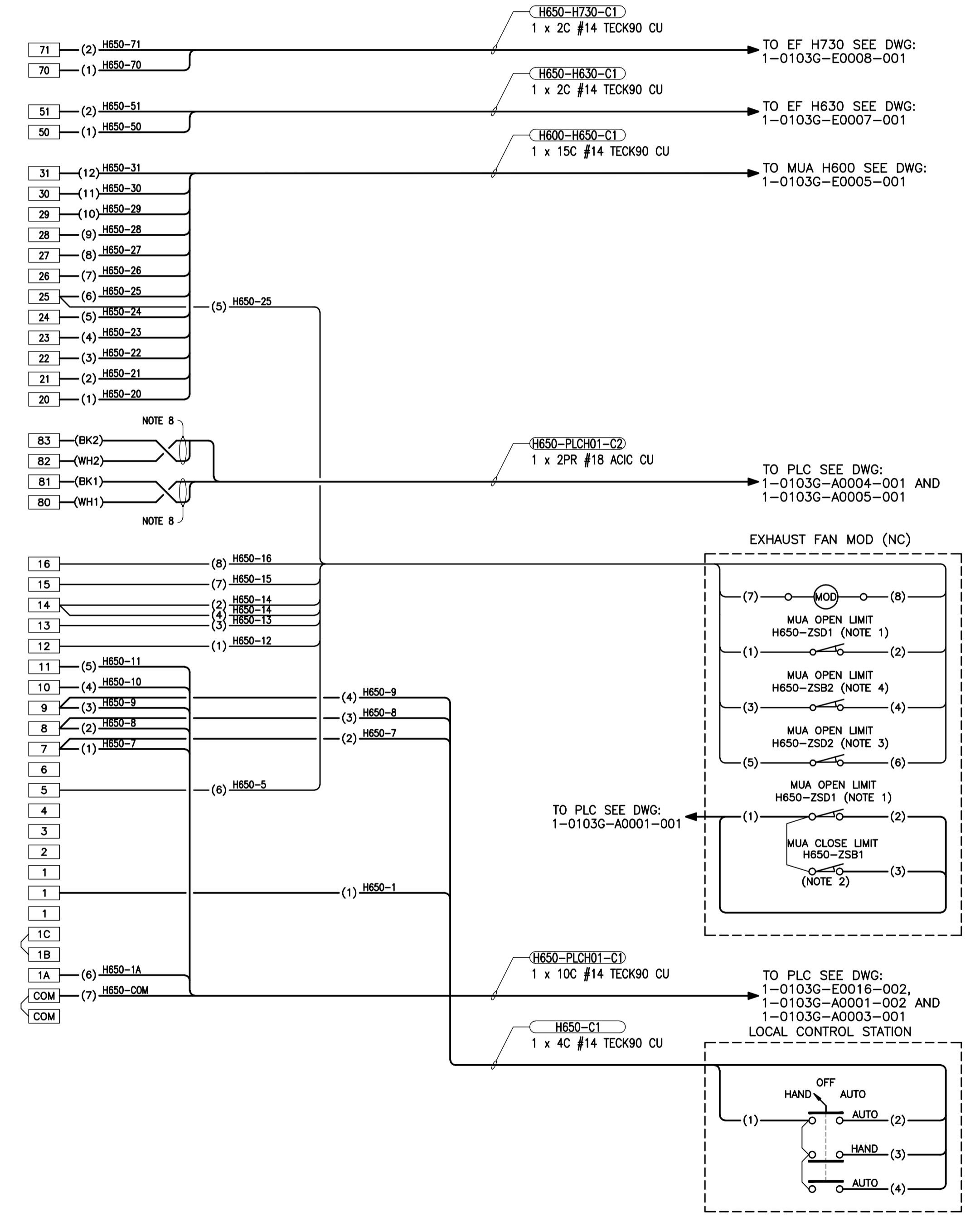


LEGEND

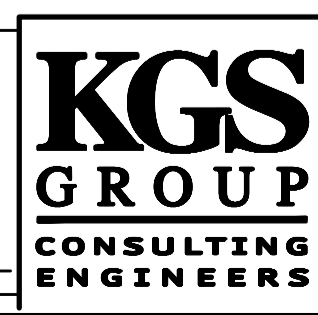
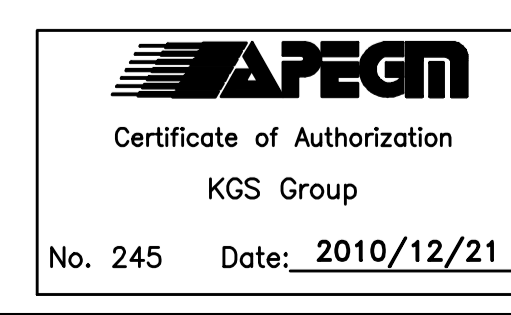
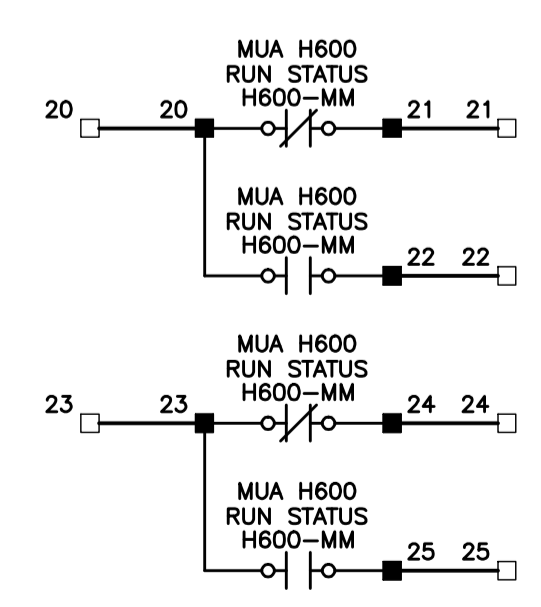
- MUA H600 TERMINALS
- MUA H650 TERMINALS
- ▣ PLC TERMINALS
- ⊗ H630 STARTER TERMINALS
- ⊠ H730 STARTER TERMINALS
- FIELD WIRING
- PANEL WIRING
- ◁ OUTPUT ▷
- ▷ INPUT ◁

NOTES:

1. LIMIT SWITCH CONTACT CLOSING WHEN DAMPER PROVES FULLY OPEN.
2. LIMIT SWITCH CONTACT CLOSING WHEN DAMPER PROVES FULLY CLOSED.
3. LIMIT SWITCH CONTACT OPENING WHEN DAMPER PROVES FULLY OPEN.
4. LIMIT SWITCH CONTACT OPENING WHEN DAMPER PROVES FULLY CLOSED.
5. TIMING RELAY STARTS TIMING ON ENERGIZATION AND CONTACT OPENS AFTER TIMEOUT. TIMED OUT RELAY REQUIRES A MANUAL RESET.
6. CONTACT CLOSING WHEN ADEQUATE CURRENT IS DRAWN TO PROVE MOTOR IS RUNNING.
7. DAMPER LIMIT SWITCHES MAY REQUIRE MULTIPLYING RELAY(S) IN ORDER TO PROVIDE THE CORRECT NUMBER OF CONTACTS.
8. ISOLATE AND TAPE BACK SHIELD AT THIS END ONLY.



REFERENCE DRAWINGS:



B.M. ELEV.	FIELD BOOK #:
POSTED TO LBIS	
DESIGNED BY: REW/DDW	CHECKED BY: REW
DRAWN BY: MMP	APPROVED BY: REW
HDR. SCALE: N.T.S.	RELEASED FOR CONSTRUCTION
VERTICAL: N.T.S.	
00 ISSUED FOR TENDER	2010-12-21 REW
NO. REVISIONS	DATE BY
	2010 10 13

ALLIANCE
 Engineering Services Inc.

ENGINEER'S SEAL
 PROVINCE OF MANITOBA
R.E. WILLMS
 Member
 3633
 REGISTERED PROFESSIONAL ENGINEER

TENDER No. HE2.6
 FILENAME: 1-0103G-E0006-001-Rev 00.dwg
 PLOT DATE: 2010/12/16

THE CITY OF WINNIPEG
 WATER AND WASTE DEPARTMENT

2010 HVAC REPLACEMENT AND ASSOCIATED WORKS
WEWPC
 AREA H - HEADWORKS
 MUA-H650, MCC-1H SCHEMATIC & WIRING DIAGRAM

SHEET 1 OF 1
 CITY DRAWING NUMBER
 1-0103G-E0006-001