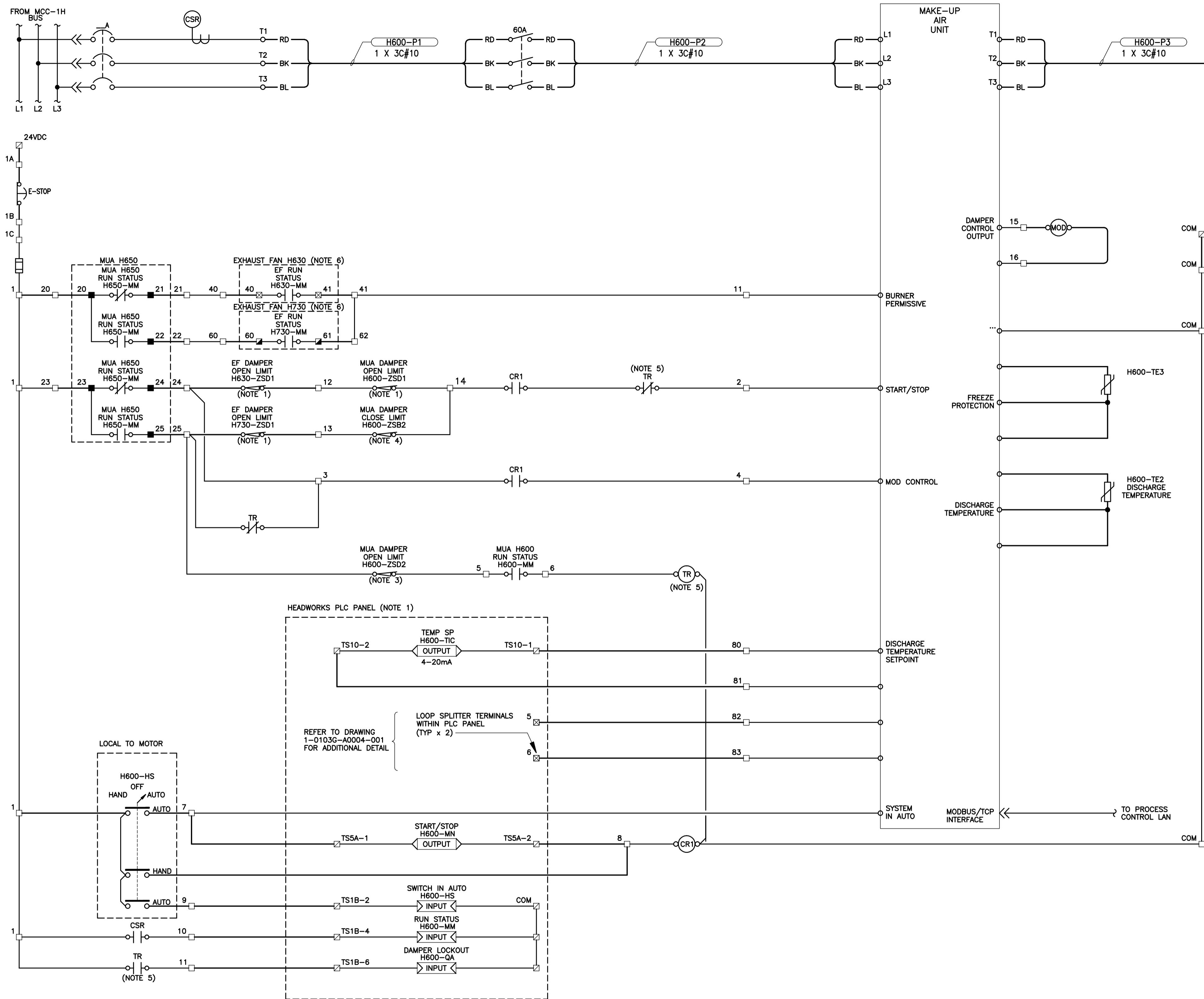
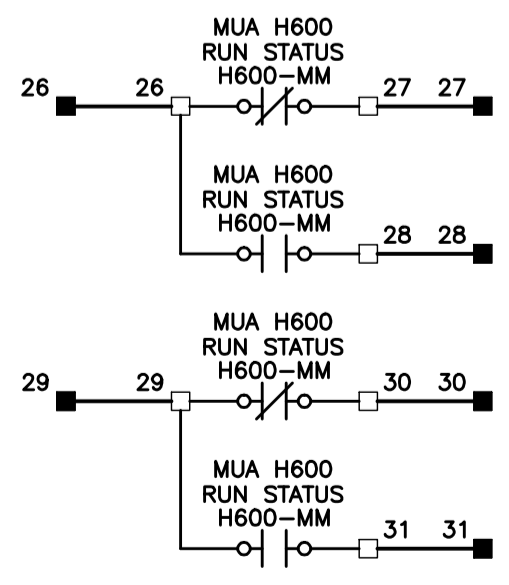
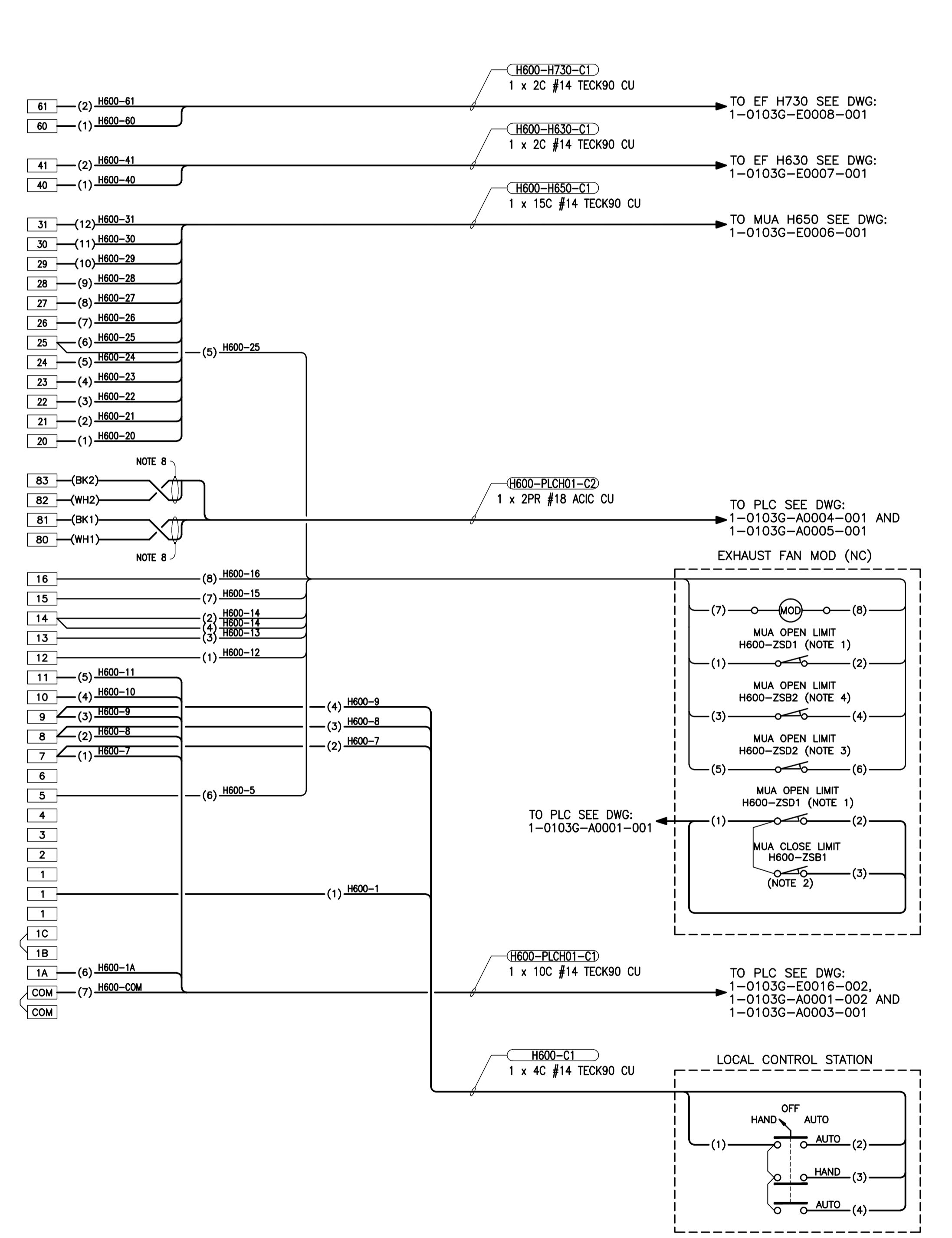


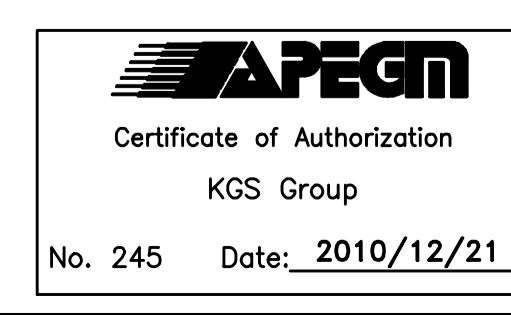
CW-9-M564-1
 1-0103G-E0005-001
 Tab: 1-0103G-E0005-001
 Plotted By: G.Nelson 12/16/2010 [Thu 5:14pm]
 P:\Projects\2009\09-0754-08\DocControl\ToBeIssued\DWG\ELECTRICAL\1-0103G-E0005-001-Rev 00.dwg



- LEGEND**
- MUA H600 TERMINALS
 - MUA H650 TERMINALS
 - ▣ PLC TERMINALS
 - ⊠ H630 STARTER TERMINALS
 - ⊡ H730 STARTER TERMINALS
 - FIELD WIRING
 - PANEL WIRING
 - ◀ OUTPUT
 - ▶ INPUT
- NOTES:**
1. LIMIT SWITCH CONTACT CLOSURES WHEN DAMPER PROVES FULLY OPEN.
 2. LIMIT SWITCH CONTACT CLOSURES WHEN DAMPER PROVES FULLY CLOSED.
 3. LIMIT SWITCH CONTACT OPENS WHEN DAMPER PROVES FULLY OPEN.
 4. LIMIT SWITCH CONTACT OPENS WHEN DAMPER PROVES FULLY CLOSED.
 5. TIMING RELAY STARTS TIMING ON ENERGIZATION AND CONTACT OPENS AFTER TIMEOUT. TIMED OUT RELAY REQUIRES A MANUAL RESET.
 6. CONTACT CLOSURES WHEN ADEQUATE CURRENT IS DRAWN TO PROVE MOTOR IS RUNNING.
 7. DAMPER LIMIT SWITCHES MAY REQUIRE MULTIPLYING RELAY(S) IN ORDER TO PROVIDE THE CORRECT NUMBER OF CONTACTS.
 8. ISOLATE AND TAPE BACK SHIELD AT THIS END ONLY.



REFER TO DRAWING 1-0103G-A0004-001 FOR ADDITIONAL DETAIL



NO.	ISSUED FOR TENDER	DATE	BY
00	ISSUED FOR TENDER	2010-12-21	REW
01			
02			

ALLIANCE
 Engineering Services Inc.

DESIGNED BY: REW/DDW
 CHECKED BY: REW
 DRAWN BY: GCN
 APPROVED BY: REW
 HDR. SCALE: N.T.S.
 VERTICAL: N.T.S.
 RELEASED FOR CONSTRUCTION: 2010 07 15

ENGINEER'S SEAL
 R.E. WILLMS
 Member 3633
 TENDER No. HE25
 FILENAME: 1-0103G-E0005-001-Rev
 PLOT DATE: 2010/12/16

THE CITY OF WINNIPEG
 WATER AND WASTE DEPARTMENT

2010 HVAC REPLACEMENT AND ASSOCIATED WORKS
WEWPC
 AREA H - HEADWORKS
 MUA-H600, MCC-1H SCHEMATIC & WIRING DIAGRAM

SHEET 1 OF 1
 CITY DRAWING NUMBER
 1-0103G-E0005-001