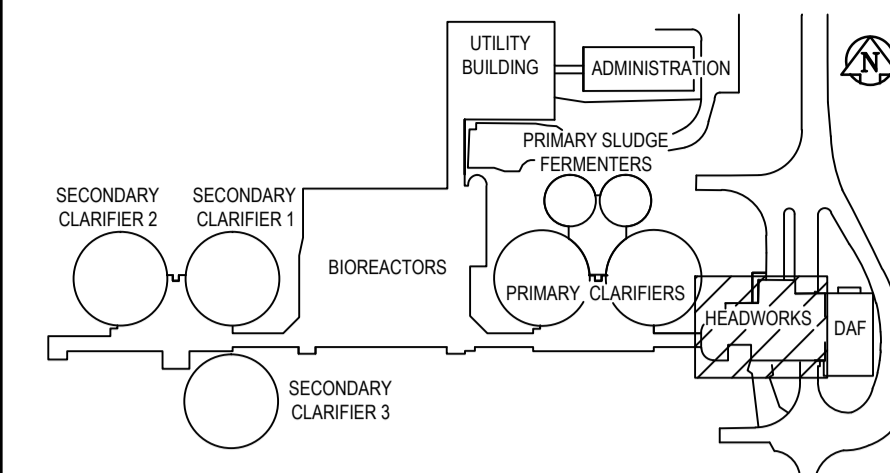
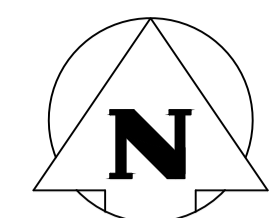


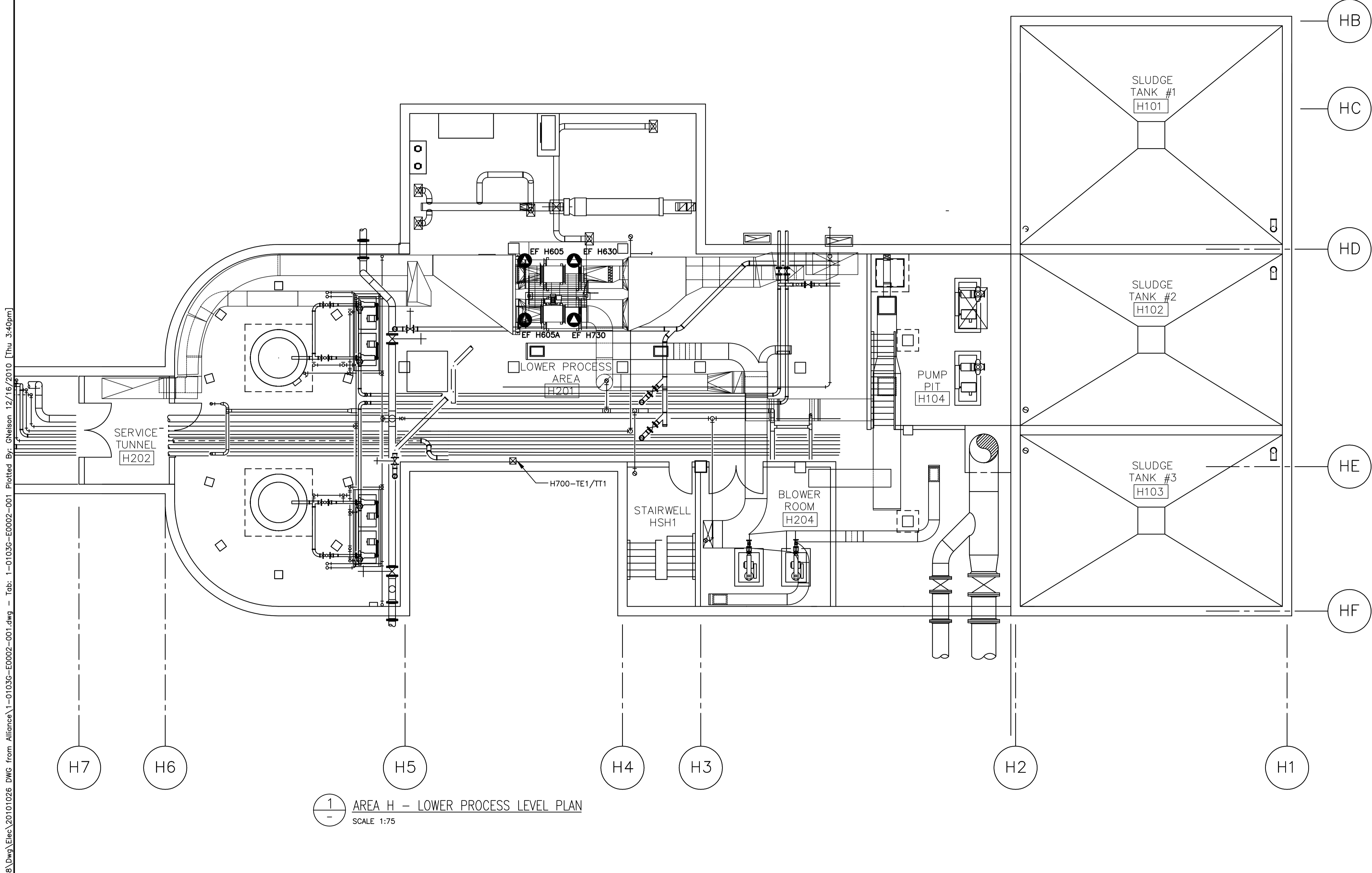
File Name: P:\Projects\2009\09-0754-06\Drawg\Elec\20101026 DWG from Alliance\1-0103G-E0002-001.dwg - Tab: 1-0103G-E0002-001.dwg - Tab: 1-0103G-E0002-001.dwg - Tab: 1-0103G-E0002-001.dwg - Tab: 1-0103G-E0002-001.dwg



KEY PLAN

NOTES:

- NOT ALL EXISTING ELECTRICAL WIRING AND EQUIPMENT WHICH REQUIRES RELOCATION IS SHOWN IN DETAIL. THE CONTRACTOR SHALL REVIEW ALL TENDER DRAWINGS TO DETERMINE GLOBAL SCOPE OF RELOCATION.



1 - AREA H - LOWER PROCESS LEVEL PLAN  
SCALE 1:75

B.M. ELEV. / FIELD BOOK #		<b>ALLIANCE</b> <i>Engineering Services Inc.</i>		ENGINEER'S SEAL		<b>THE CITY OF WINNIPEG</b> WATER AND WASTE DEPARTMENT	
POSTED TO LBIS		DESIGNED BY: AP		CHECKED BY: DDW		2010 HVAC REPLACEMENT AND ASSOCIATED WORKS <b>WEWPCC</b>	
		DRAWN BY: GCN		APPROVED BY: REW		SHEET 1 OF 1	
		HOR. SCALE: -		RELEASED FOR CONSTRUCTION		CITY DRAWING NUMBER	
		VERTICAL: -		DATE: 2010 11 15		1-0103G-E0002-001	
00 ISSUED FOR TENDER REVISIONS		2010-12-21 DATE		REW BY		TENDER No. HE2.2 FILENAME: 1-0103G-E0002-001.dwg PLOT DATE: 2010/12/16	
No. 245		Date: 2010/12/21		<b>APEGN</b> Certificate of Authorization KGS Group		AREA H - HEADWORKS LOWER PROCESS LEVEL - PLAN - ELECTRICAL	
		<b>KGS GROUP</b> CONSULTING ENGINEERS				<b>WEWPCC</b> 2010 HVAC REPLACEMENT AND ASSOCIATED WORKS AREA H - HEADWORKS LOWER PROCESS LEVEL - PLAN - ELECTRICAL	