

File Name: P:\Projects\2009\09-0754-08\Doc.Control\ToBeIssued\DWG\ELECTRICAL\1-0103G-A0006-001-Rev 00.dwg - Tab: 1-0103G-A0006-001 - Rev 00.dwg - Tab: 1-0103G-A0006-001 - Rev 00.dwg [Thu 5:15pm]

I/O MODULE, TELEFAST SUBBASE & TERMINALS

FIELD ENCLOSURE

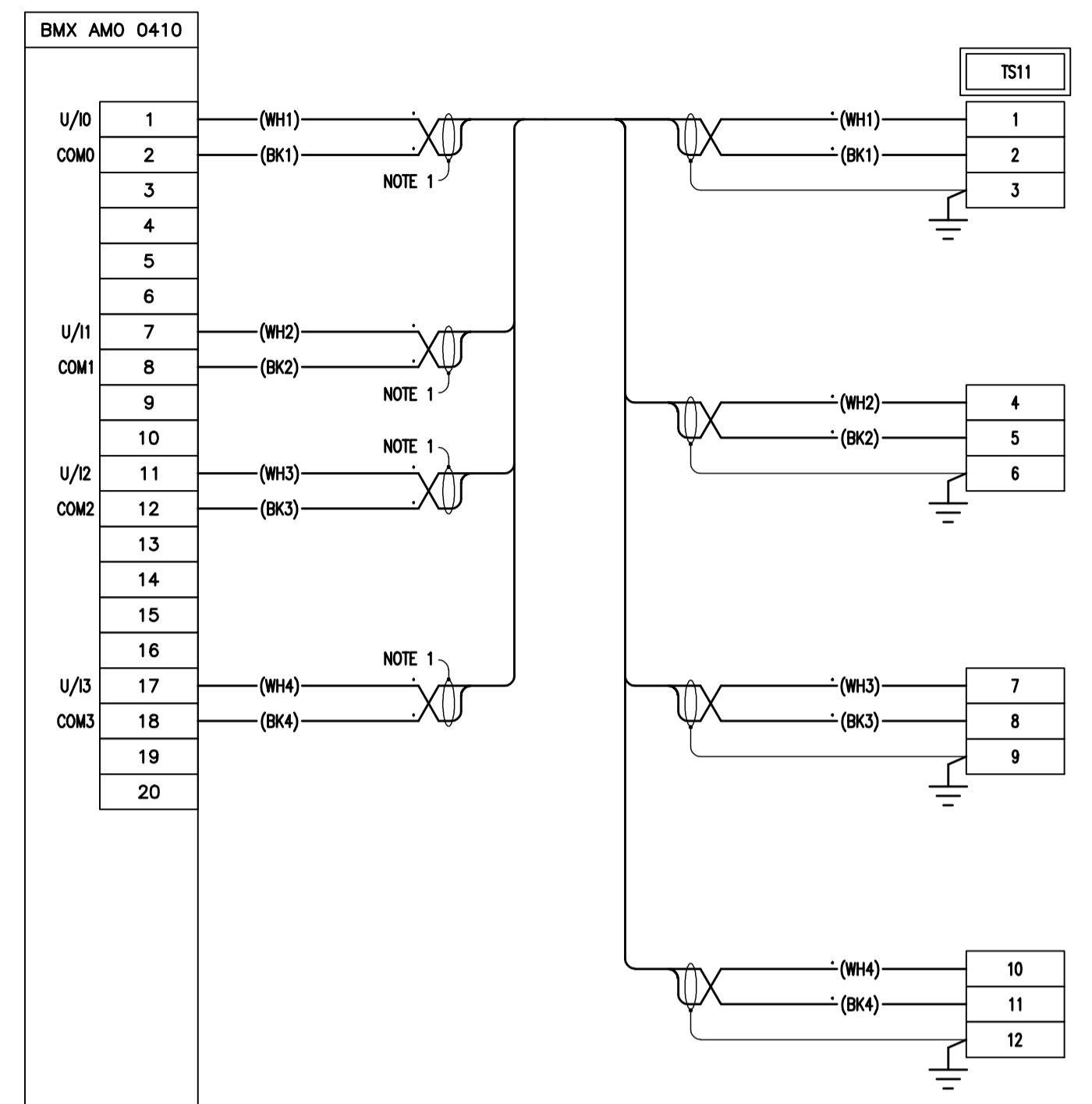
FIELD DEVICE

NOTES:

1. TAPE BACK AND ISOLATE SHIELD AT THIS END ONLY.

LEGEND

— FIELD WIRING
 — PANEL WIRING



APEGN
 Certificate of Authorization
 KGS Group
 No. 245 Date: 2010/12/21

KGS GROUP
 CONSULTING ENGINEERS

B.M. ELEV.	N/A	FIELD BOOK #:	
POSTED TO LBIS			
DESIGNED BY	REW/DDW	BY	REW
DRAWN BY	GCN	APPROVED BY	REW
HDR. SCALE	N.T.S.	RELEASED FOR CONSTRUCTION	
VERTICAL	N.T.S.		
NO.	ISSUED FOR TENDER	2010-12-21	REW
NO.	REVISIONS	DATE	BY

ALLIANCE
 Engineering Services Inc.

DESIGNED BY REW/DDW BY REW
 DRAWN BY GCN APPROVED BY REW
 HDR. SCALE N.T.S. RELEASED FOR CONSTRUCTION
 VERTICAL N.T.S.
 2010-11-02

ENGINEER'S SEAL

 TENDER No. HI2.9
 FILENAME 1-0103G-A0006-001-Rev
 PLOT DATE: 2010/12/16

THE CITY OF WINNIPEG
 WATER AND WASTE DEPARTMENT

2010 HVAC REPLACEMENT AND ASSOCIATED WORKS
WEWPCC
 AREA H - HEADWORKS
 SHEET 11 ANALOG OUTPUT LOOP DRAWING

SHEET 1 OF 1
 CITY DRAWING NUMBER
 1-0103G-A0006-001