

File Name: P:\Projects\2009\09-0754-08\Doc.Control\1-0103G-ELECTRICAL\1-0103G-A0003-002-Rev 00.dwg - Tab. 1-0103G-A0003-002 Plotted By: G.Nelson 12/16/2010 [Thu 5:17pm]

I/O MODULE, TELEFAST SUBBASE & TERMINALS

FIELD ENCLOSURE

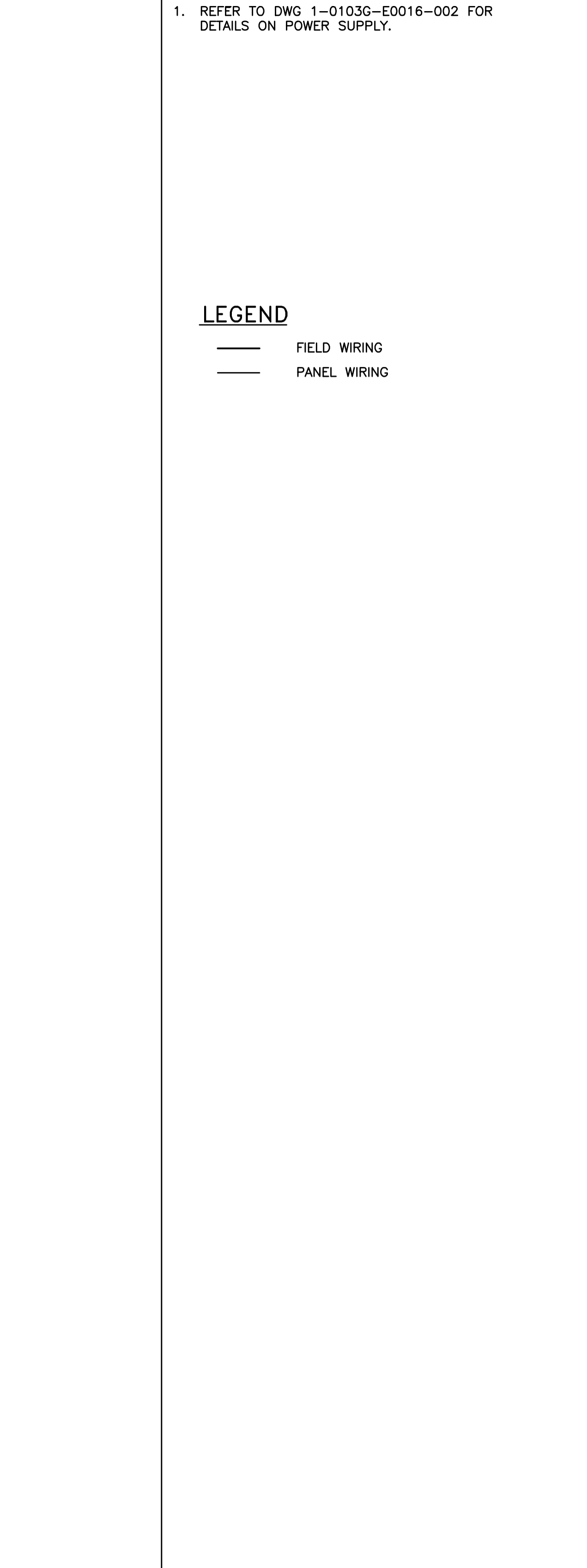
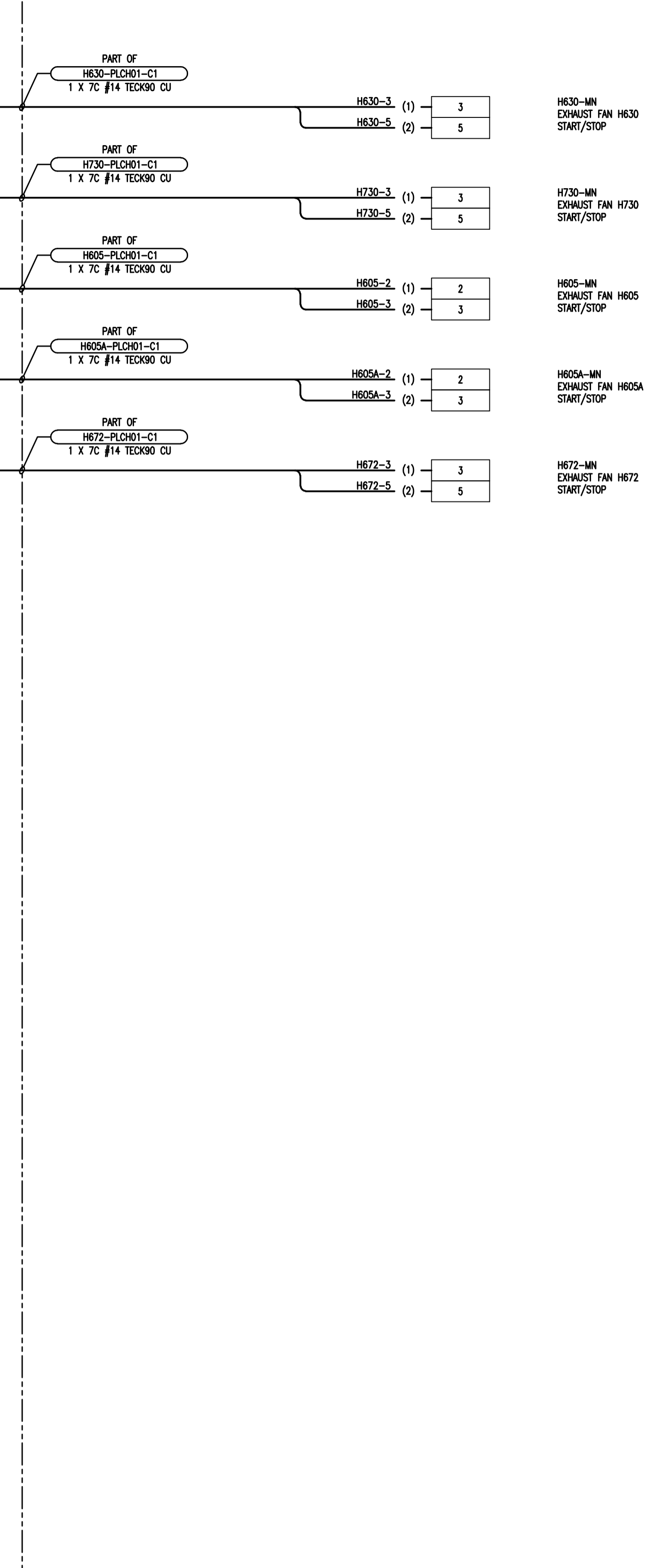
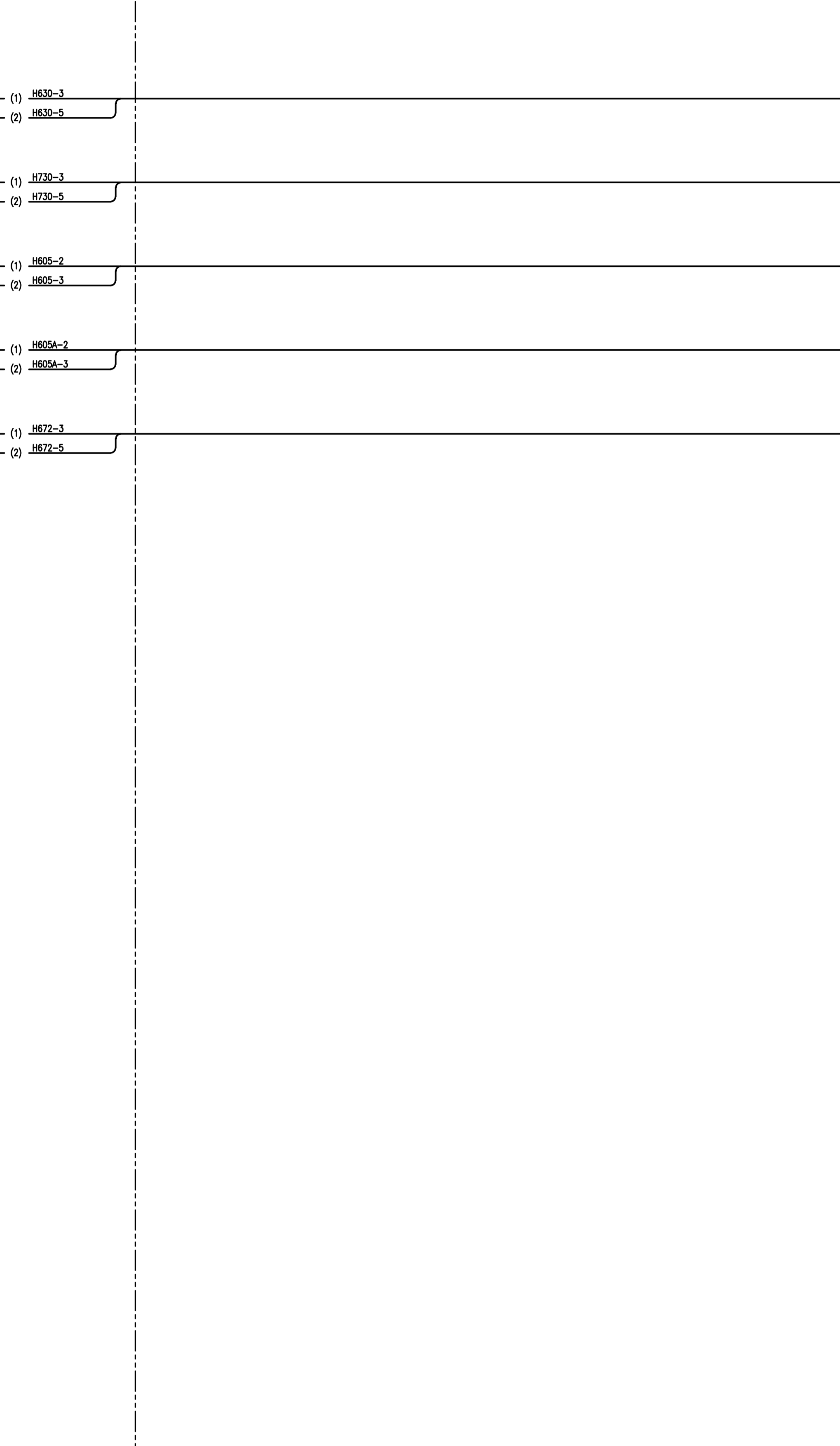
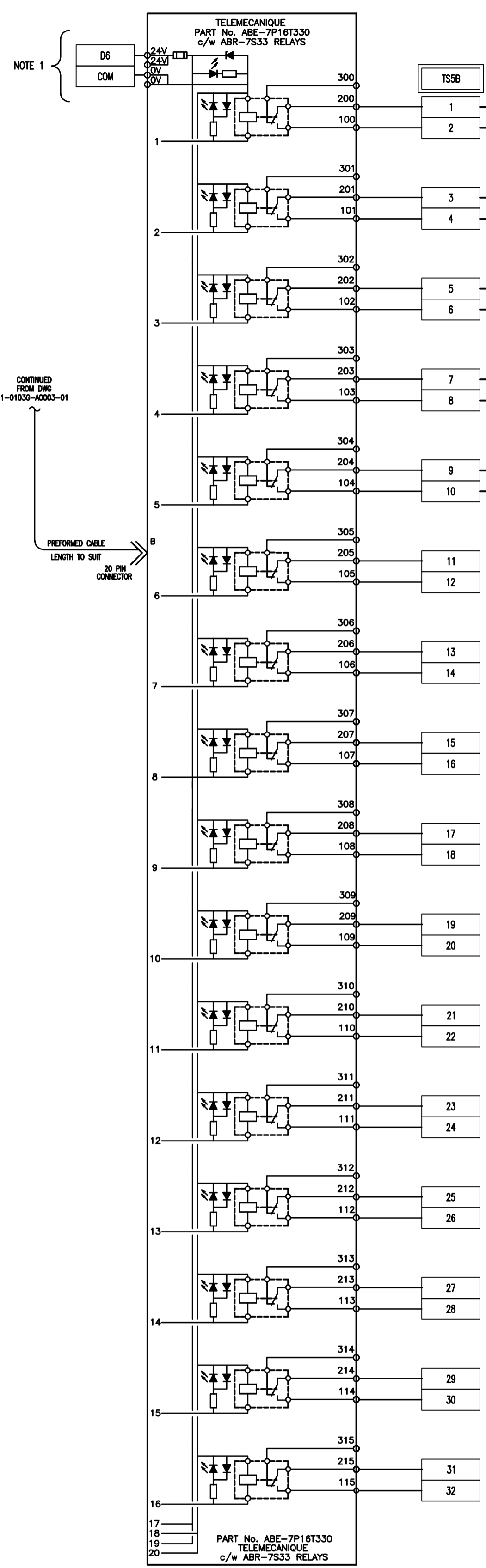
FIELD DEVICE

NOTES:

1. REFER TO DWG 1-0103G-E0016-002 FOR DETAILS ON POWER SUPPLY.

LEGEND

— FIELD WIRING
 — PANEL WIRING



APEGN
 Certificate of Authorization
 KGS Group
 No. 245 Date: 2010/12/21

KGS GROUP
 CONSULTING ENGINEERS

B.M. ELEV.	N/A	FIELD BOOK #:	
POSTED TO LBIS			
DESIGNED BY	REW/DDW	BY	REW
DRAWN BY	GCN	APPROVED BY	REW
HDR. SCALE	N.T.S.	RELEASED FOR CONSTRUCTION	
VERTICAL	N.T.S.		
00 ISSUED FOR TENDER	2010-12-21	REW	
NO. REVISIONS	DATE	BY	DATE
			2010-06-23

ALLIANCE
 Engineering Services Inc.

DESIGNED BY: REW/DDW
 DRAWN BY: GCN
 HDR. SCALE: N.T.S.
 VERTICAL: N.T.S.

2010-06-23

ENGINEER'S SEAL

R.E. WILLMS
 Member 3833

TENDER No. H12.6
 FILENAME: 1-0103G-A0003-002-Rev 00.dwg
 PLOT DATE: 2010/12/16

THE CITY OF WINNIPEG
 WATER AND WASTE DEPARTMENT

2010 HVAC REPLACEMENT AND ASSOCIATED WORKS
WEWPCC
 AREA H - HEADWORKS
 SLOT 5 DISCRETE OUTPUT LOOP DRAWING

SHEET 2 OF 2
 CITY DRAWING NUMBER
 1-0103G-A0003-002