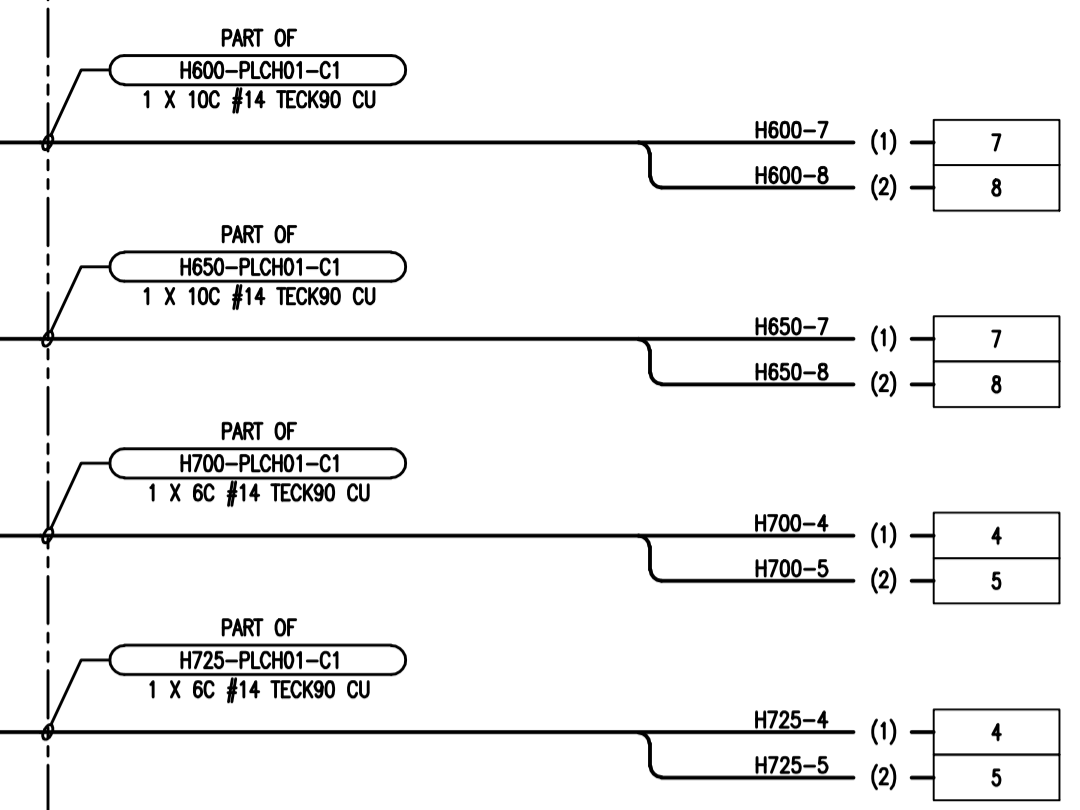
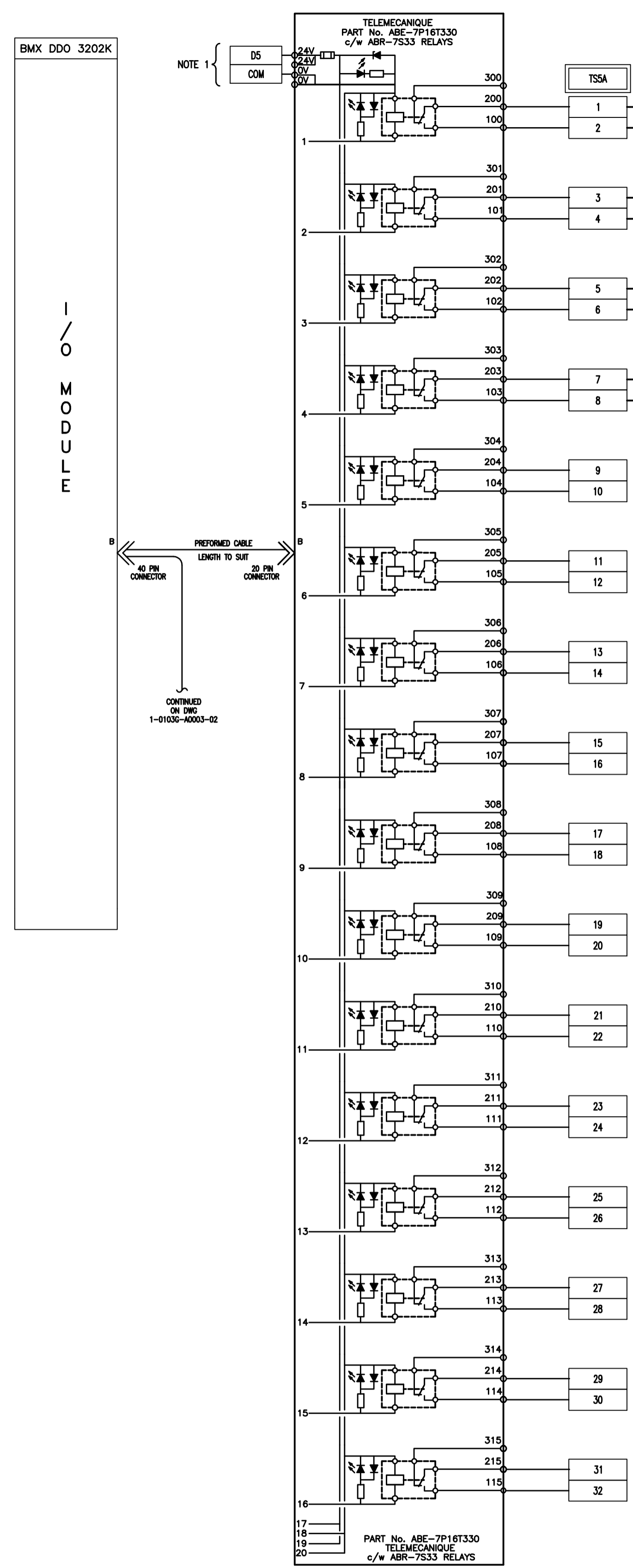


File Name: P:\Projects\2009\09-0754-08\Doc.Control\1-0103G-ELECTRICAL\1-0103G-A0003-001-Rev 00.dwg - Tab. 1-0103G-A0003-001 Plotted By: G.Nelson 12/16/2010 [Thu 5:17pm] CW-9-M564-1

I/O MODULE, TELEFAST SUBBASE & TERMINALS

FIELD ENCLOSURE

FIELD DEVICE



NOTES:

1. REFER TO DWG 1-0103G-E0016-002 FOR DETAILS ON POWER SUPPLY.

LEGEND

— FIELD WIRING
 — PANEL WIRING

I/O MODULE

 Certificate of Authorization KGS Group No. 245 Date: 2010/12/21		B.M. ELEV. N/A	FIELD BOOK #:		 ENGINEER'S SEAL	 2010 HVAC REPLACEMENT AND ASSOCIATED WORKS WEWPCC AREA H - HEADWORKS SLOT 5 DISCRETE OUTPUT LOOP DRAWING	SHEET 1 OF 2
		DESIGNED BY: REW/DDW BY: REW DRAWN BY: GCN APPROVED BY: REW HDR. SCALE: N.T.S. RELEASED FOR CONSTRUCTION VERTICAL: N.T.S.					TENDER No. H125 FILENAME: 1-0103G-A0003-001-Rev 00.dwg PLOT DATE: 2010/12/16
00 ISSUED FOR TENDER 2010-12-21 REW NO. REVISIONS DATE BY DATE							