

File Name: P:\Projects\2009\09-0754-08\Doc.Control\1-0103G-A0002-001-Rev 00.dwg - Tab. 1-0103G-A0002-001 Plotted By: G.Nelson 12/16/2010 [Thu 5:18pm]

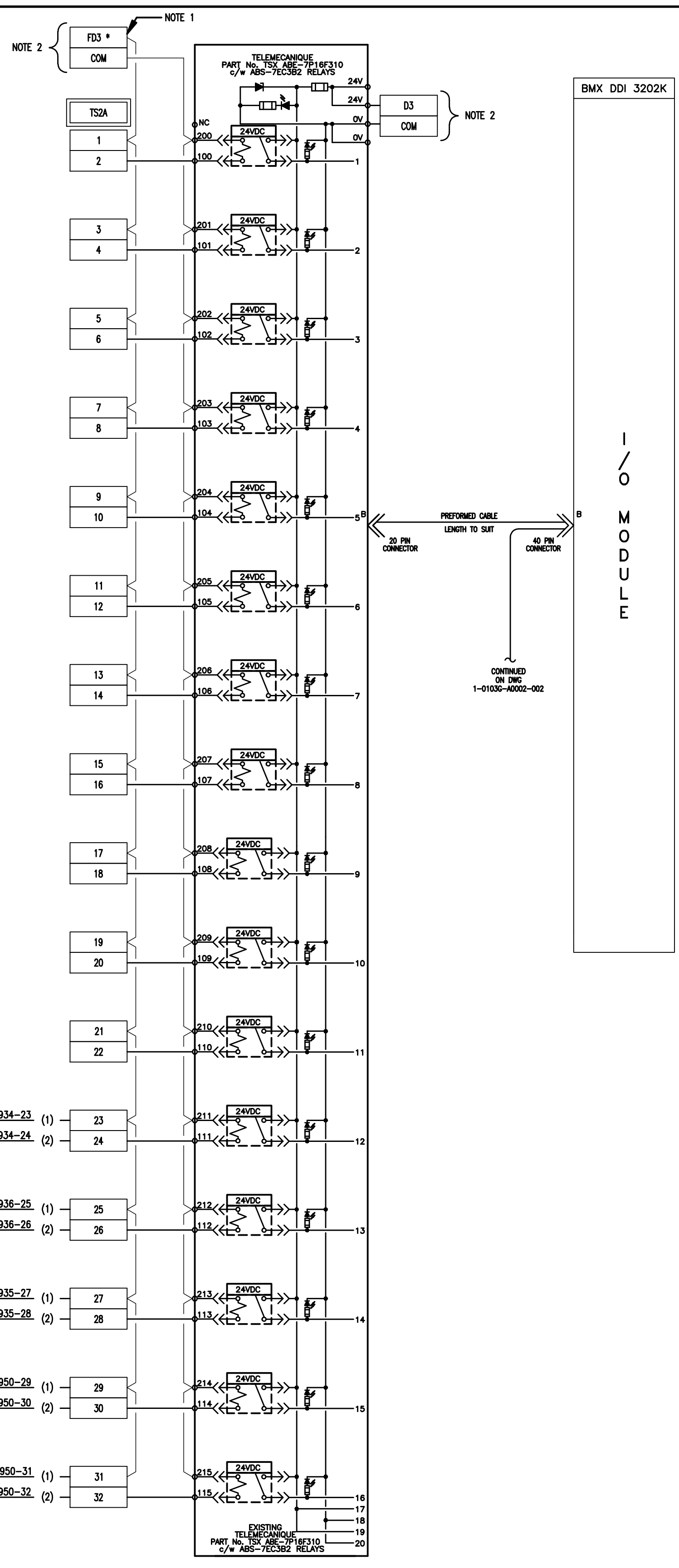
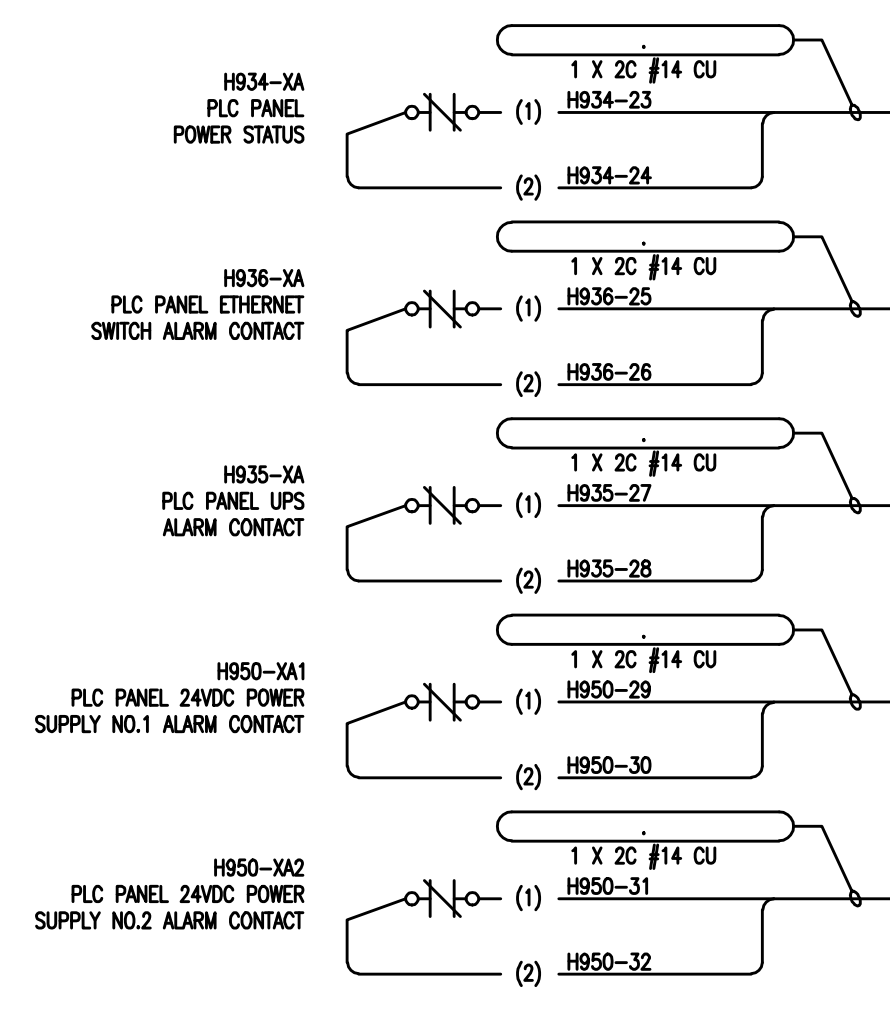
FIELD DEVICE

FIELD ENCLOSURE

I/O MODULE, TELEFAST SUBBASE & TERMINALS

- NOTES:**
1. ASTERISK DENOTES FUSED DISCONNECT TERMINAL.
 2. REFER TO DWG 1-0103G-E0016-002 FOR DETAILS ON POWER SUPPLY.

- LEGEND**
- FIELD WIRING
 - PANEL WIRING



 Certificate of Authorization KGS Group No. 245 Date: 2010/12/21		B.M. ELEV. N/A	FIELD BOOK #:			 2010 HVAC REPLACEMENT AND ASSOCIATED WORKS WEWPCC AREA H - HEADWORKS SLOT 2 DISCRETE INPUT LOOP DRAWING	SHEET 1 OF 2
		POSTED TO LBIS					DESIGNED BY: REW/DDW DRAWN BY: GCN HDR. SCALE: N.T.S. VERTICAL: N.T.S.
		00 ISSUED FOR TENDER 2010-12-21 REW		2010-06-23			