

File Name: P:\Projects\2009\09-0754-08\Doc.Control\1-0103G-ELECTRICAL\1-0103G-A0001-002-Rev 00.dwg - Tab: 1-0103G-A0001-002 Plotted By: G.Nelson 12/16/2010 [Thu 5:19pm]

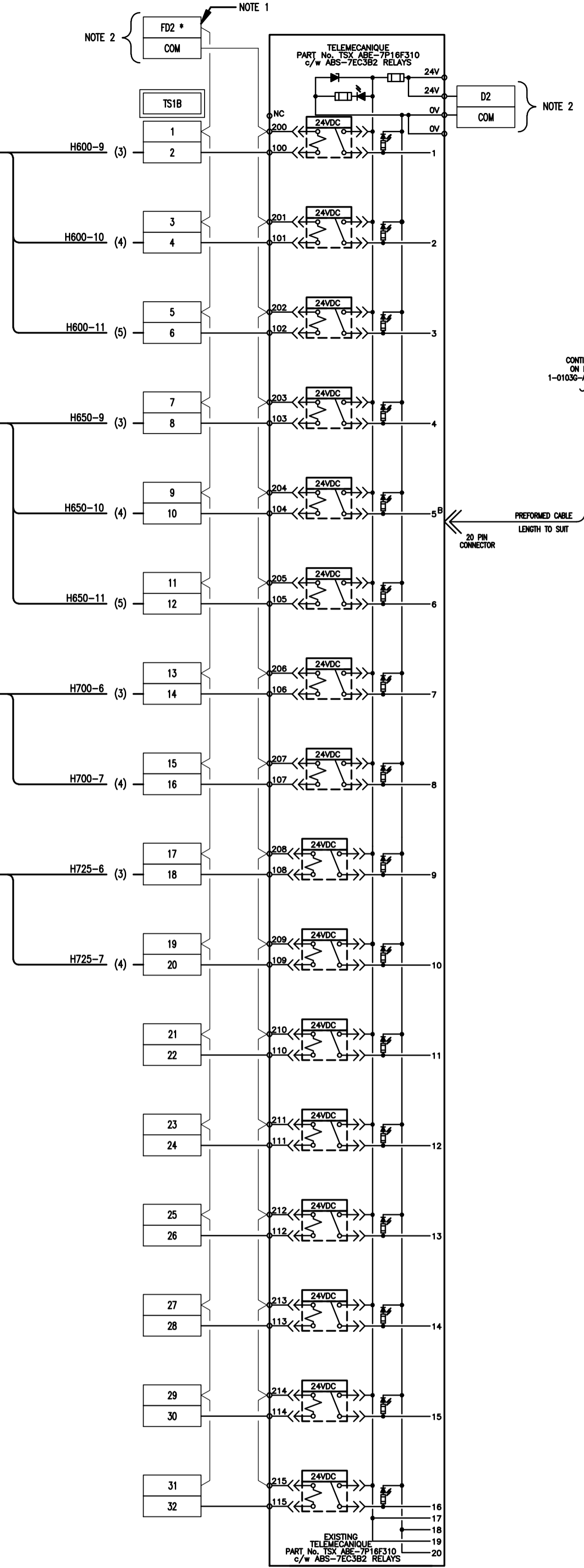
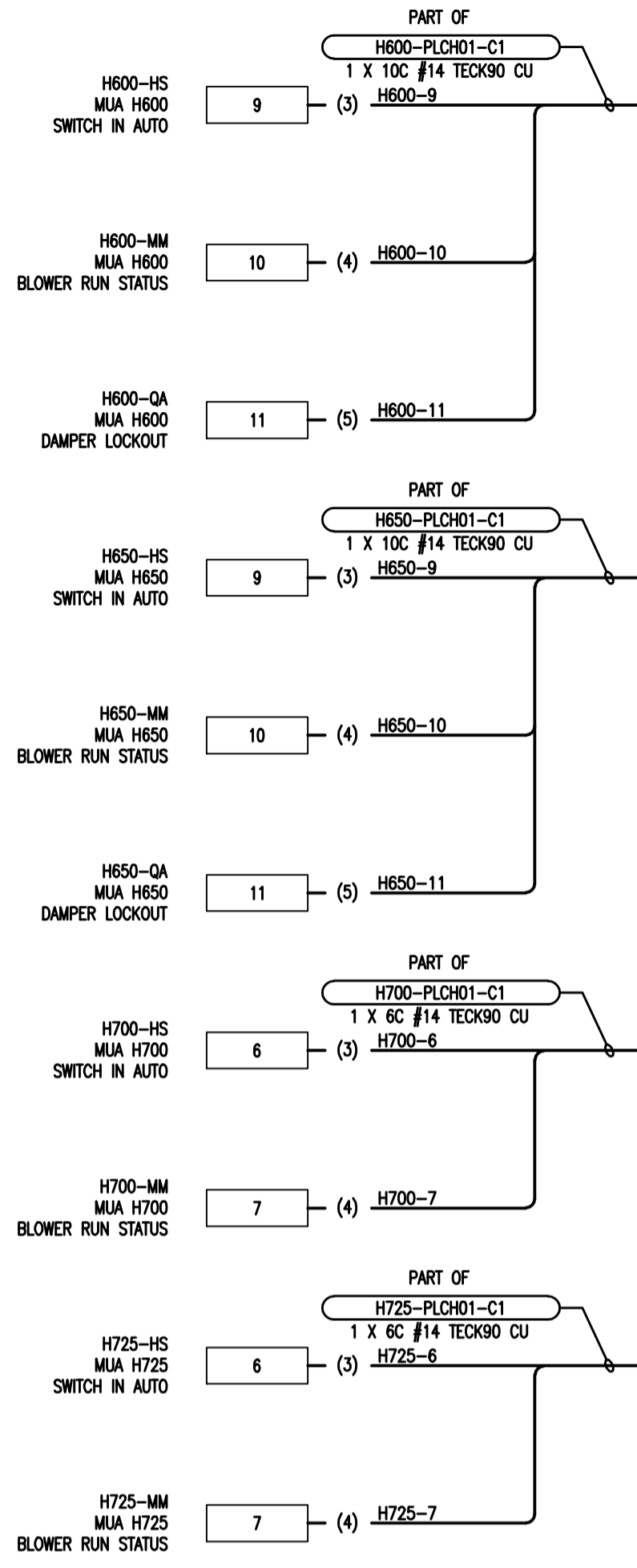
FIELD DEVICE

FIELD ENCLOSURE

I/O MODULE, TELEFAST SUBBASE & TERMINALS

- NOTES:**
- 1. ASTERISK DENOTES FUSED DISCONNECT TERMINAL.
 - 2. REFER TO DWG 1-0103G-E0016-002 FOR DETAILS ON POWER SUPPLY.

- LEGEND**
- FIELD WIRING
 - PANEL WIRING



CONTINUED ON DWG 1-0103G-A0001-001

20 PIN CONNECTOR

B.M. ELEV.	N/A	FIELD BOOK #	
POSTED TO LBIS			
DESIGNED BY	REW/DDW	BY	REW
DRAWN BY	GCN	APPROVED BY	REW
HDR. SCALE	N.T.S.	RELEASED FOR CONSTRUCTION	
VERTICAL	N.T.S.		
NO.	ISSUED FOR TENDER	DATE	2010-12-21
REVISIONS		DATE	2010-06-23

APEGN
Certificate of Authorization
KGS Group
No. 245 Date: 2010/12/21

KGS GROUP
CONSULTING ENGINEERS

ALLIANCE
Engineering Services Inc.

ENGINEER'S SEAL
R.E. WILLMS
Member 3833
PROVINCE OF MANITOBA REGISTERED PROFESSIONAL ENGINEER

THE CITY OF WINNIPEG
WATER AND WASTE DEPARTMENT

2010 HVAC REPLACEMENT AND ASSOCIATED WORKS
WEWPC
AREA H - HEADWORKS
SLOT 1 DISCRETE INPUT LOOP DRAWING

SHEET 2 OF 2
CITY DRAWING NUMBER
1-0103G-A0001-002

TENDER No. H12.2
FILENAME 1-0103G-A0001-002-Rev
PLDT DATE: 2010/12/16