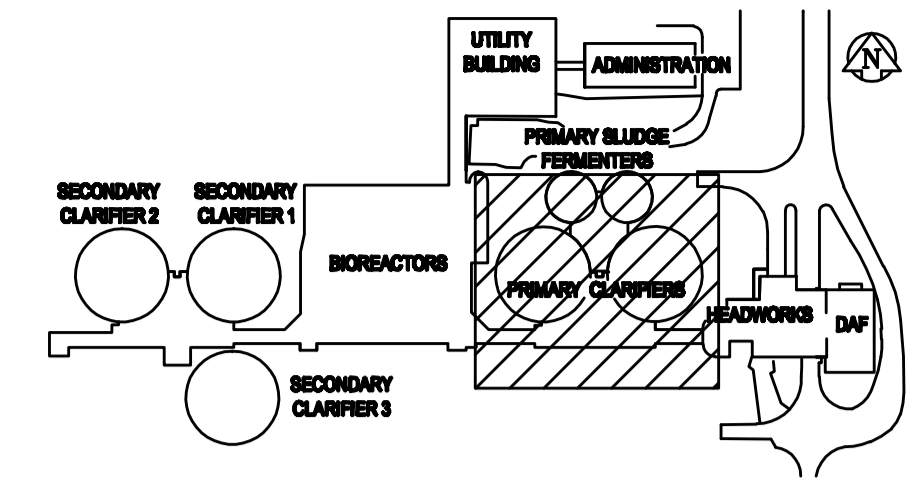
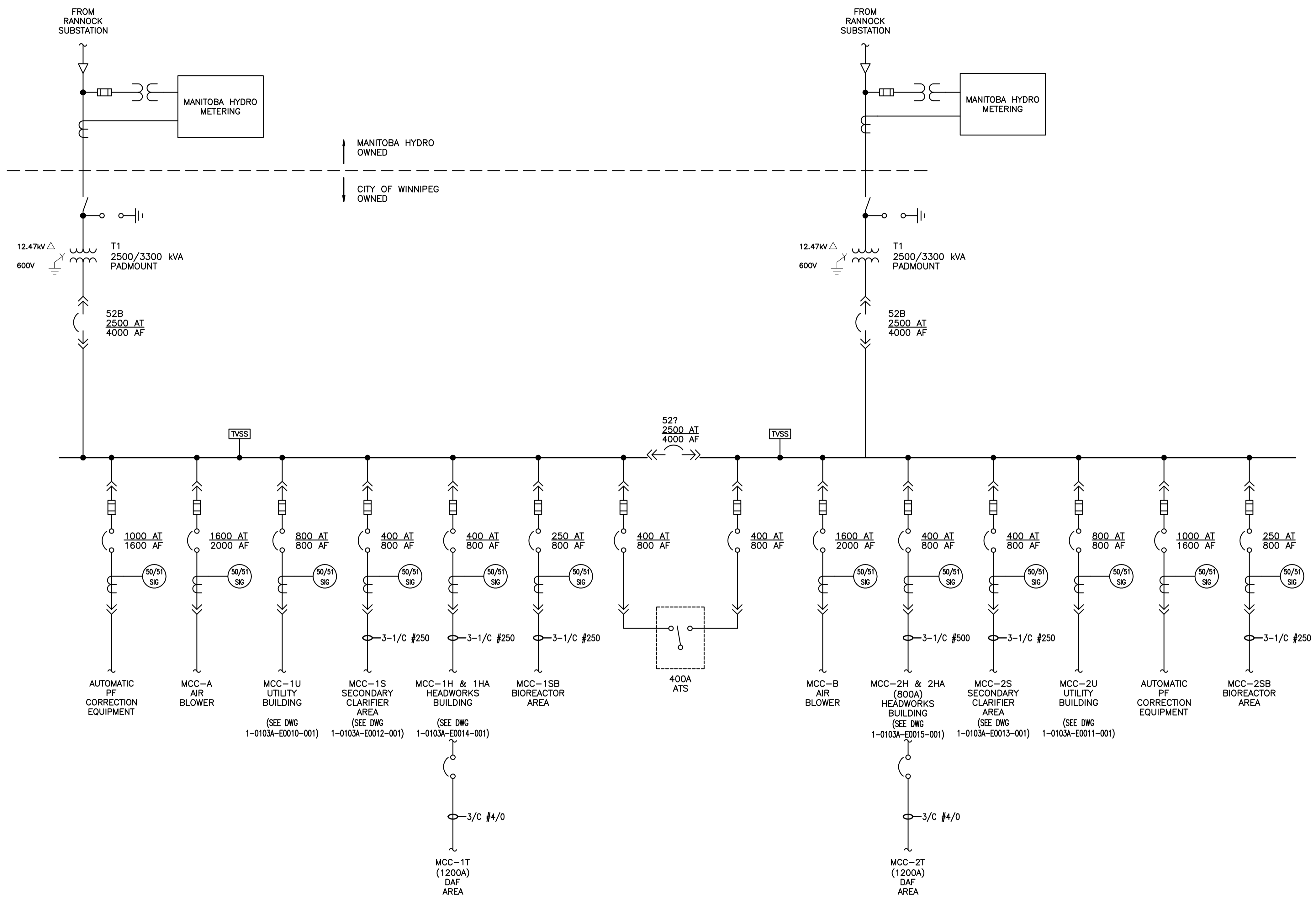


File Name: P:\Projects\2009\09-0754-08\Doc.Control\ToBeIssued\DWG\ELECTRICAL\1-0103A-E007-001-Rev 00.dwg - Tab: 1-0103A-E007-001 Plotted By: G.Nelson 12/16/2010 [Thu 5:25pm] CW-9-M564-1



KEY PLAN

NOTES:
1. INFORMATION TAKEN FROM EARTHTEC DRAWING LE1.03.



B.M. ELEV.	N/A	FIELD BOOK #:	
POSTED TO LBIS			
DESIGNED BY	REW/DDW	CHECKED BY	REW
DRAWN BY	GCN	APPROVED BY	REW
HDR. SCALE	VERTICAL	RELEASED FOR CONSTRUCTION	
00 ISSUED FOR TENDER	2010-12-21	REW	
NO. REVISIONS	DATE	BY	DATE
			2010-03-17

ALLIANCE
Engineering Services Inc.

DESIGNED BY: REW/DDW
DRAWN BY: GCN
HDR. SCALE: VERTICAL
RELEASED FOR CONSTRUCTION: 2010-03-17

ENGINEER'S SEAL
PROVINCE OF MANITOBA
R.E. WILLMS
Member 3833
REGISTERED PROFESSIONAL ENGINEER

TENDER No. LE21
FILENAME: 1-0103A-E007-001-Rev 00.dwg
PLDT DATE: 2010/12/16

THE CITY OF WINNIPEG
WATER AND WASTE DEPARTMENT

2010 HVAC REPLACEMENT AND ASSOCIATED WORKS
WEWPC
FACILITY SINGLE LINE DIAGRAM

SHEET 1 OF 1
CITY DRAWING NUMBER
1-0103A-E007-001