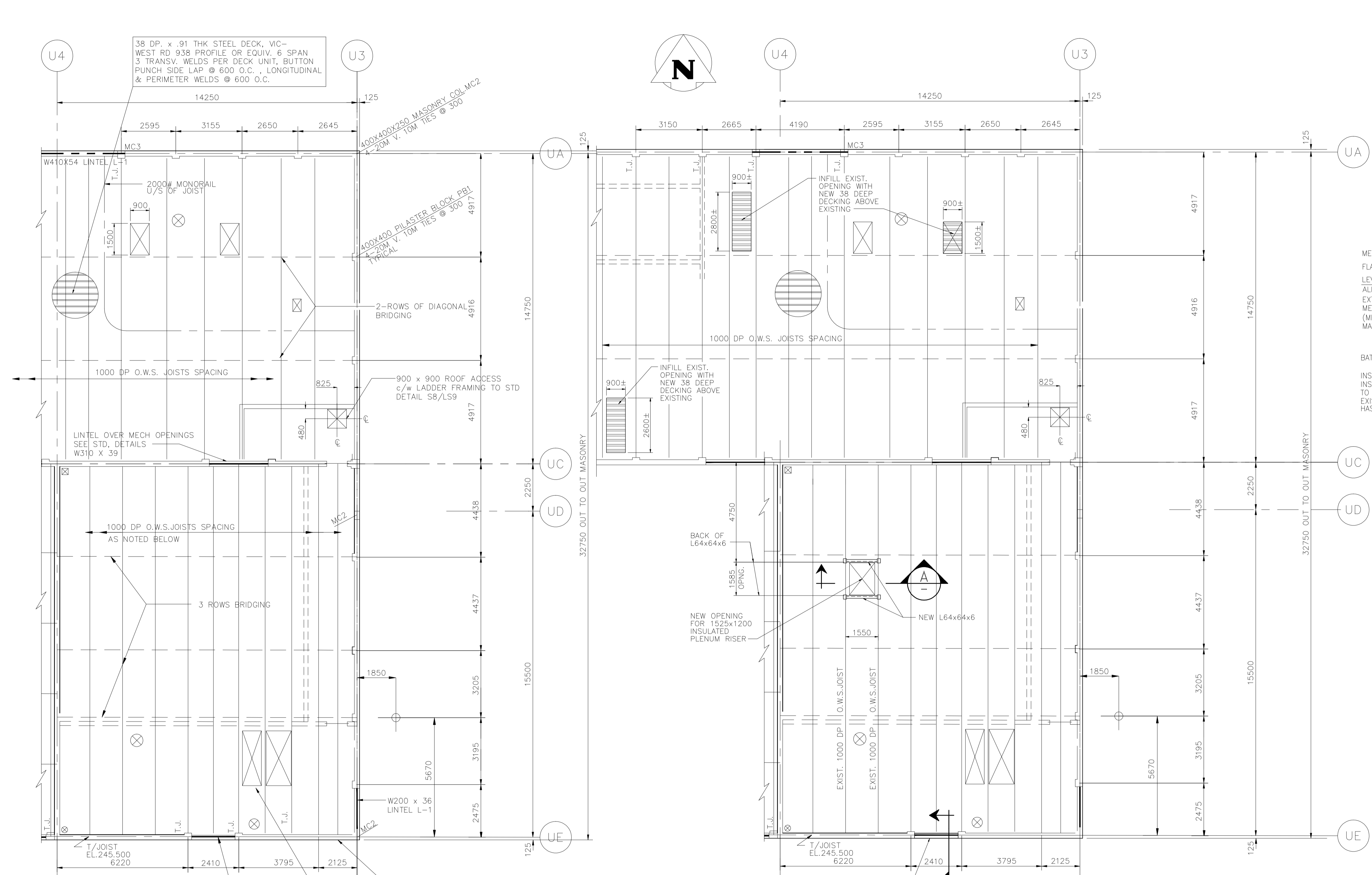


CW-9-M564-1



EXISTING PART ROOF FRAMING PLAN (EL. 245.825 T/O JOIST - GRID UC)

SCALE: 1:100
- FOR MODIFIED PART ROOF FRAMING PLAN SEE THIS DWG.

APEGN
Certificate of Authorization
KGS Group
No. 245 Date: 10/12/21

KGS GROUP
CONSULTING ENGINEERS

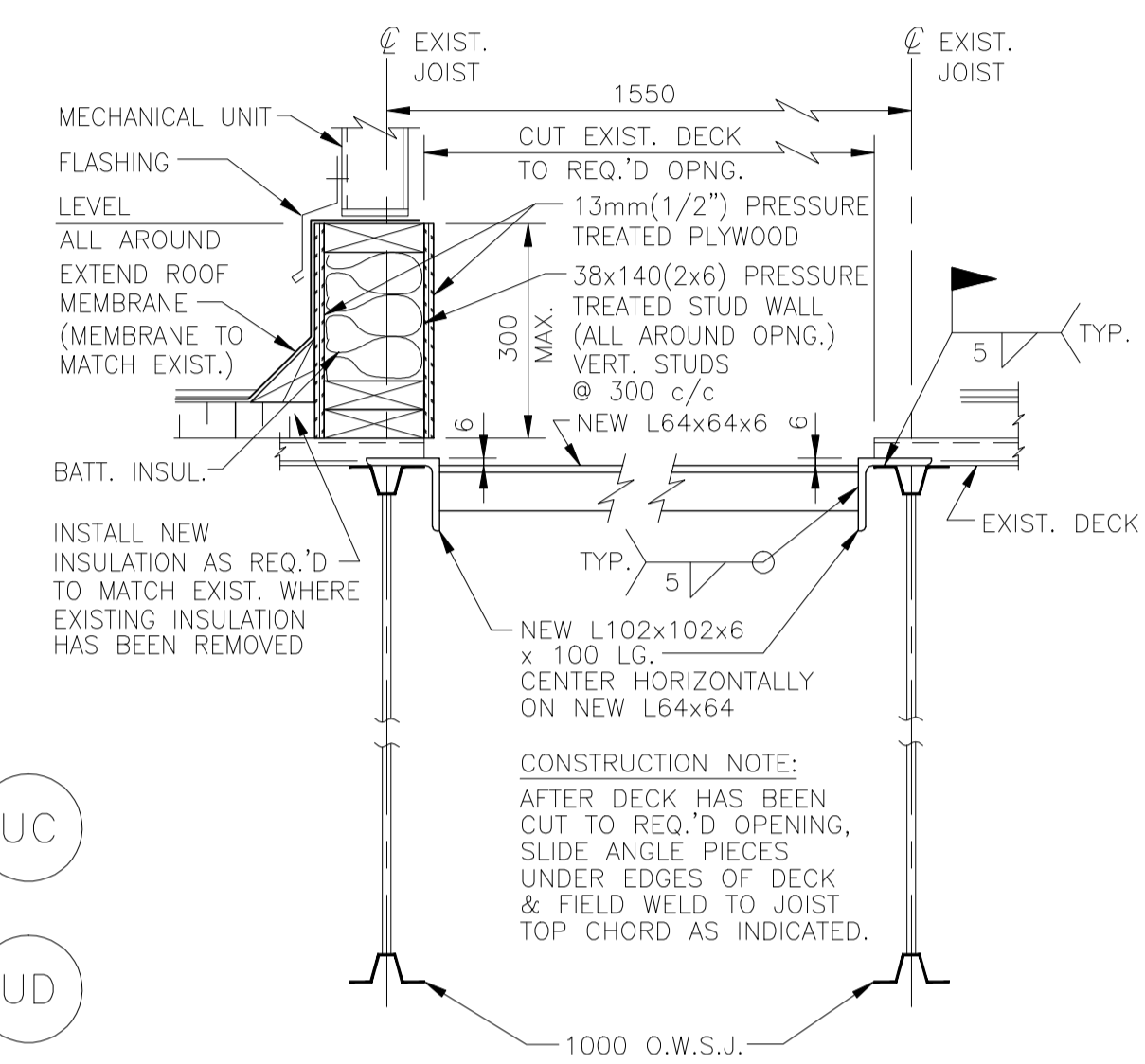
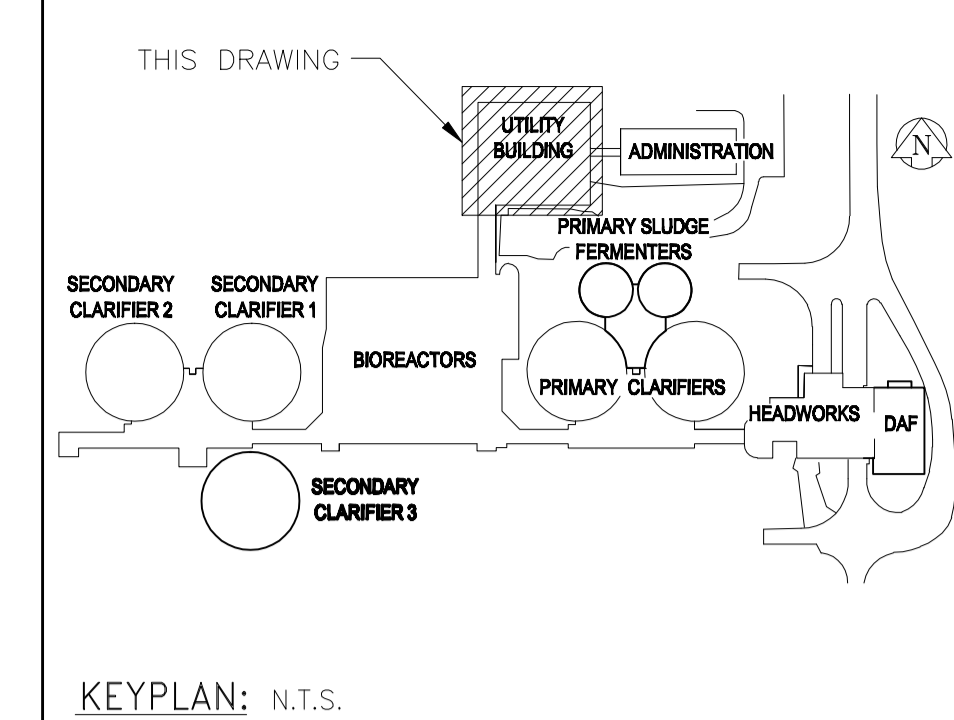
MODIFIED PART ROOF FRAMING PLAN (EL. 245.825 T/O JOIST - GRID UC)
SCALE: 1:100
(SHOWING MODIFICATION TO ACCOMMODATE NEW ROOF OPENING FOR MECHANICAL EQUIPMENT)

B.M. ELEV.	FIELD BOOK #:	ALLIANCE Engineering Services Inc.		ENGINEER'S SEAL
POSTED TO LBIS				
		DESIGNED BY: R.J.L.	CHECKED BY: R.J.L.	CONSULTANT DRAWING NO. US2.2
		DRAWN BY: J.F.	APPROVED BY:	
		HOR. SCALE AS NOTED VERTICAL AS NOTED	RELEASED FOR CONSTRUCTION	
DO. ISSUED FOR TENDER	2010-12-21	R.J.L.		
NO. REVISIONS	DATE	BY	DATE	
			2010-10-1	

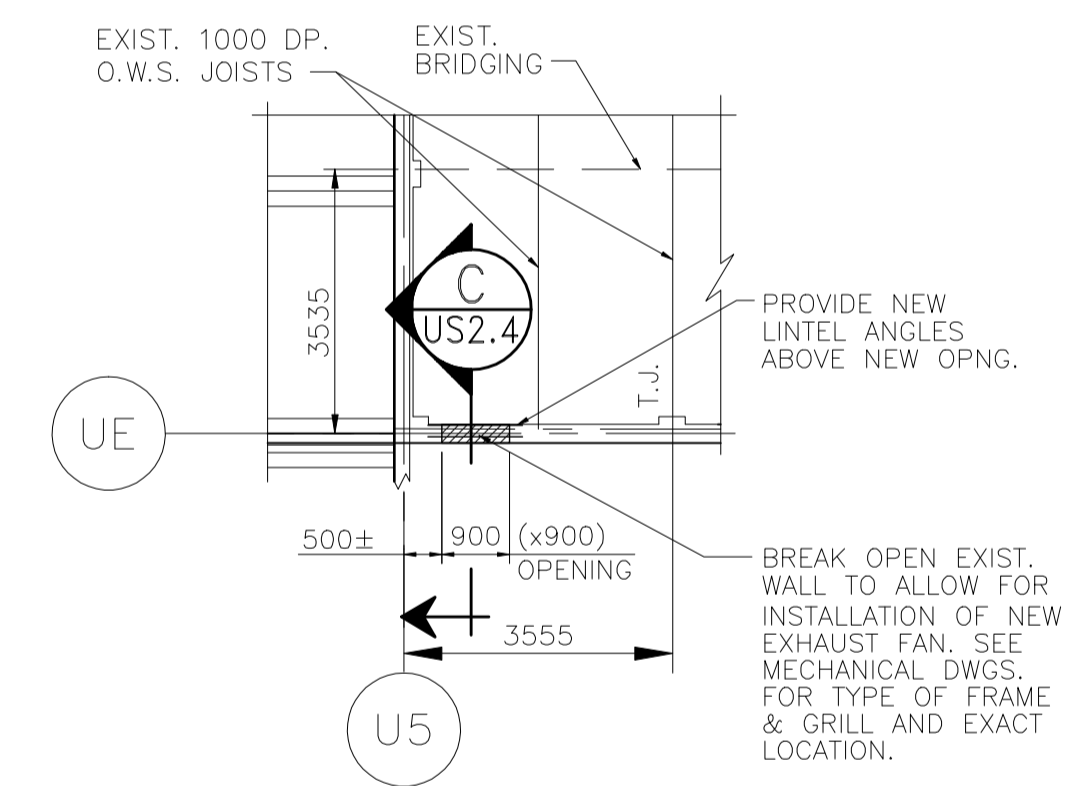
THE CITY OF WINNIPEG
WATER AND WASTE DEPARTMENT

2010 HVAC REPLACEMENT
AND ASSOCIATED WORKS
WEWPCC
AREA U - UTILITY BUILDING
STRUCTURAL - ROOF FRAMING PLAN

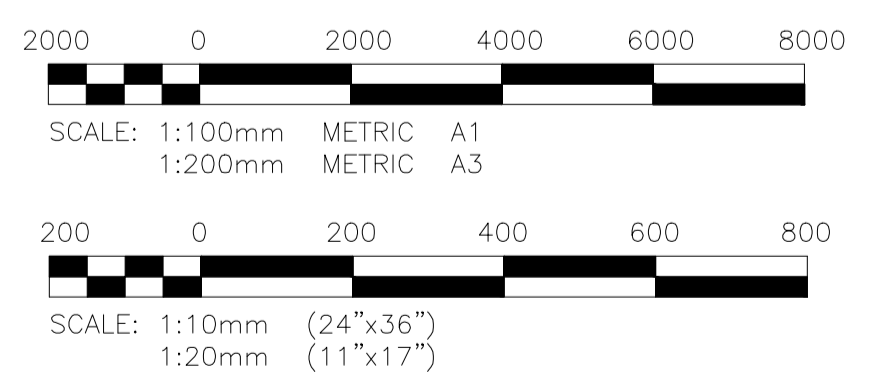
SHEET 1 OF 1
CITY DRAWING NUMBER
1-0103V-S0002-001



SECTION A
SCALE: 1:10



EXISTING PART ROOF FRAMING PLAN
SCALE: 1:100
(EL. 245.825 T/O JOIST - GRID UC)



P:\Projects\2010\10-0754-03 Dwg\Struct\NEW&REV Dwg-Sep30-10-Start\1-0103V-S0002-001-R00.dwg - Tab: US2.2 Plotted By: Shldebrand 12/17/2010 [Fri 4:22pm]