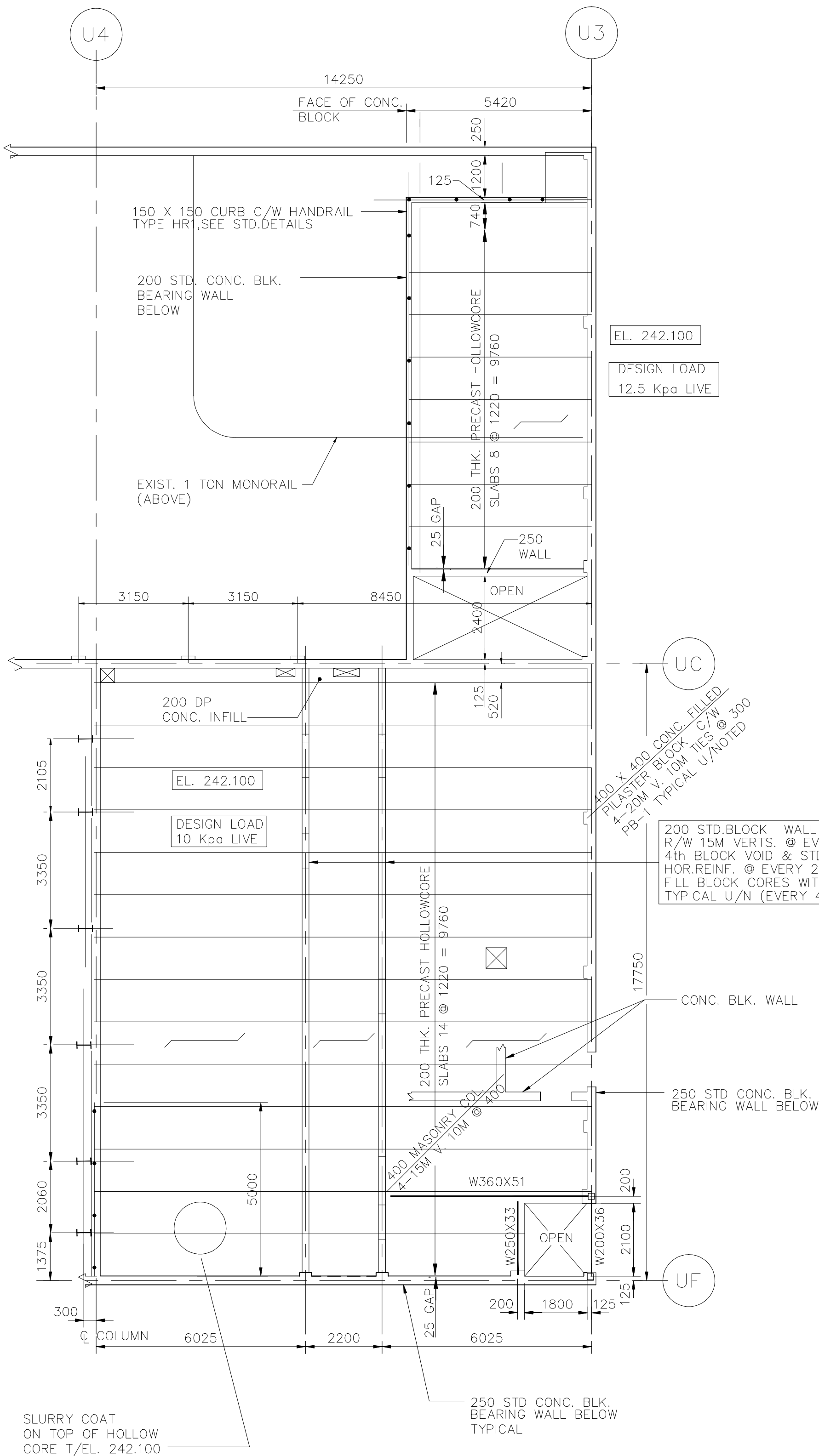
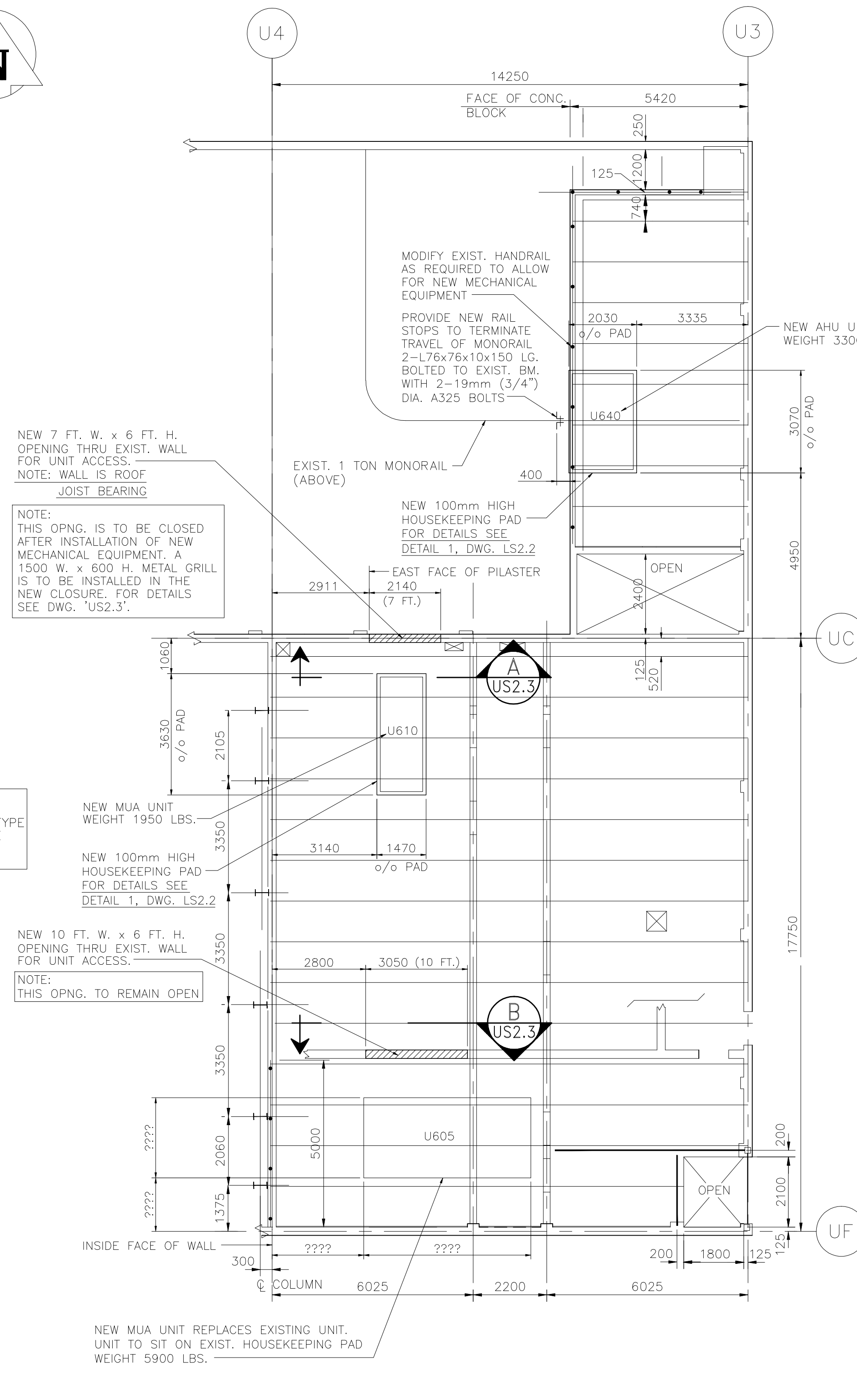
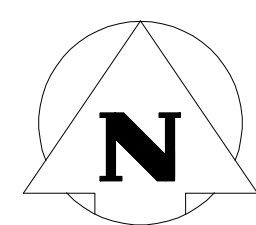


CW-9-M564-1

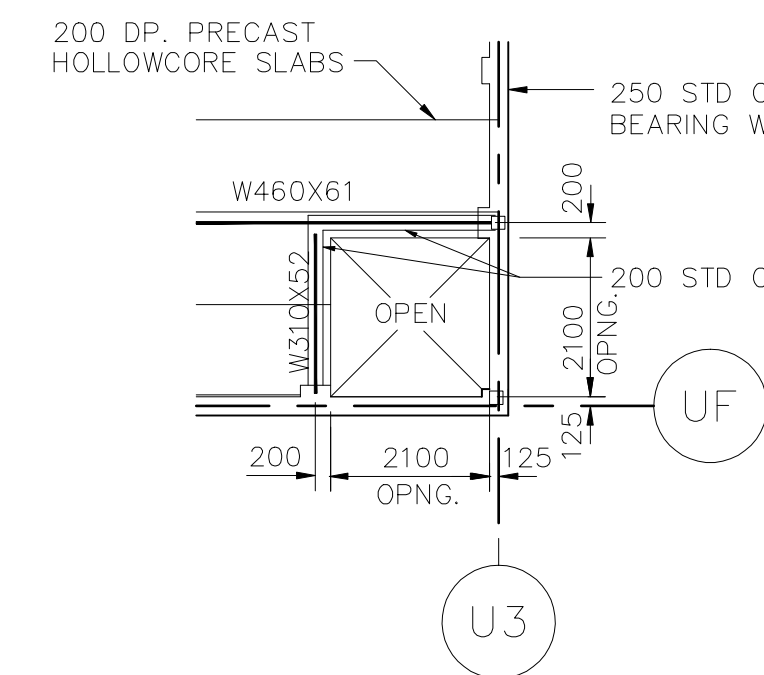


EL. 242.100 T/O CONCRETE
EXISTING MEZZANINE FLOOR FRAMING PLAN
 SCALE: 1:100

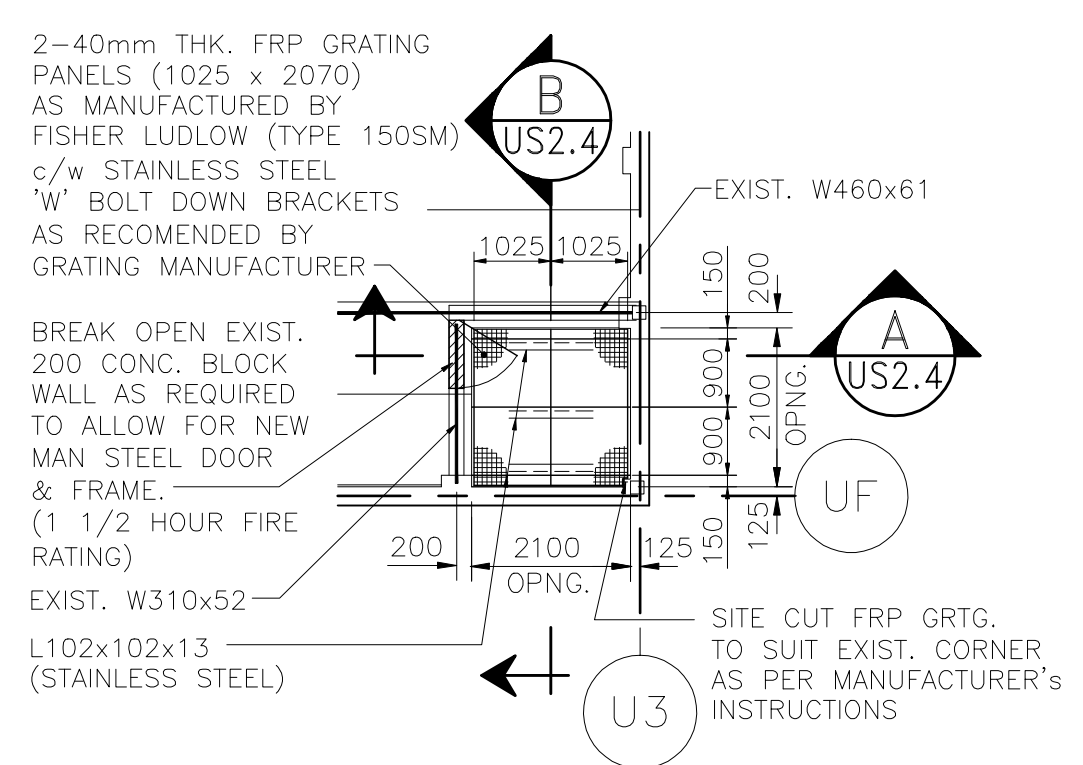
- FOR MODIFIED MEZZANINE PLAN SEE THIS DWG.



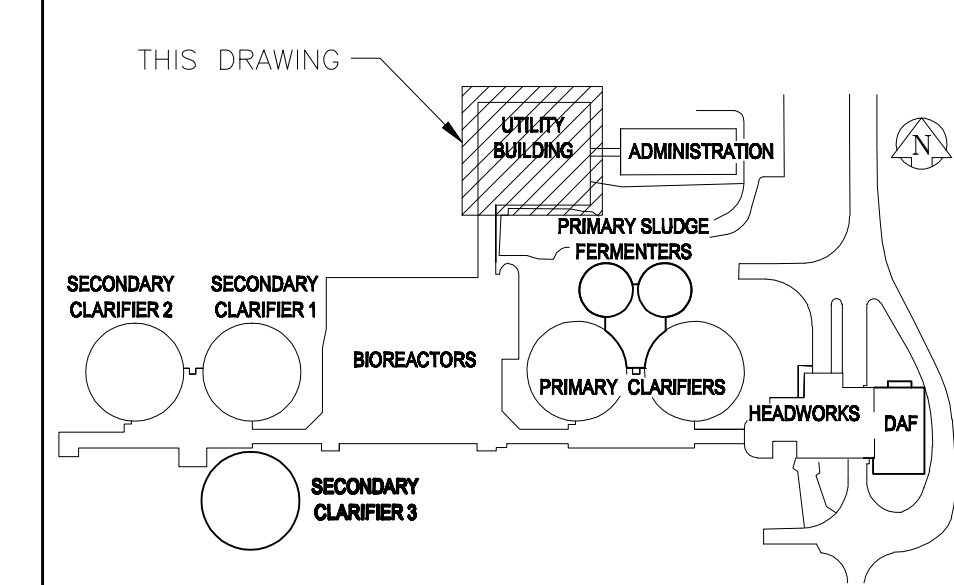
EL. 242.100 T/O CONCRETE
MODIFIED MEZZANINE FLOOR FRAMING PLAN
 SCALE: 1:100 (SHOWING MODIFICATION TO ACCOMMODATE NEW MECHANICAL EQUIPMENT)



EL. 238.800 T/O HOLLOWCORE
EXISTING PART MAIN FLOOR PLAN
 SCALE: 1:100



EL. 238.800 T/O HOLLOWCORE
MODIFIED PART MAIN FLOOR PLAN
 SCALE: 1:100

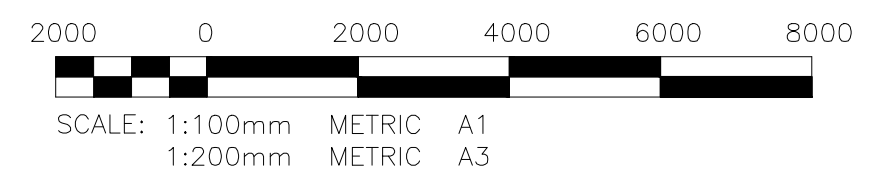


KEYPLAN: N.T.S.

NOTES:

1. ALL NEW 100mm HOUSE KEEPING PADS SHALL BE REINFORCED WITH 10M @ 300 c/c E.W. WITH 25mm TOP COVER.

SEE DWG. LS2.1 FOR GENERAL NOTES



P:\Projects\2010\10-0754-03\Draw\Struct\NEW&REV Dwg-Sept30-10-Start\1-0103V-S0001-01-R00.dwg - Tab: US2.1 Plotted By: Shiladrand 12/17/2010 [Fri 4:21pm]

APEGN
 Certificate of Authorization
 KGS Group
 No. 245 Date: 10/12/21

KGS GROUP
 CONSULTING ENGINEERS

B.M. ELEV.	FIELD BOOK #:
POSTED TO LIS	
DESIGNED BY	RJL
CHECKED BY	RJL
DRAWN BY	JF
APPROVED BY	
HOR. SCALE AS NOTED	VERTICAL AS NOTED
DO ISSUED FOR TENDER	2010-12-21 RJL
NO. REVISIONS	DATE BY

ALLIANCE
 Engineering Services Inc.

DESIGNED BY: RJL
 CHECKED BY: RJL
 DRAWN BY: JF
 APPROVED BY:
 HOR. SCALE AS NOTED
 VERTICAL AS NOTED
 DO ISSUED FOR TENDER: 2010-12-21 RJL
 NO. REVISIONS: DATE BY

ENGINEER'S SEAL

 CONSULTANT DRAWING NO. US2.1

THE CITY OF WINNIPEG
 WATER AND WASTE DEPARTMENT

2010 HVAC REPLACEMENT AND ASSOCIATED WORKS
 WEWPCC
 AREA U - UTILITY BUILDING
 MEZZANINE FLOOR FRAMING PLAN

SHEET 1 OF 1
 CITY DRAWING NUMBER
 1-0103V-S0001-001