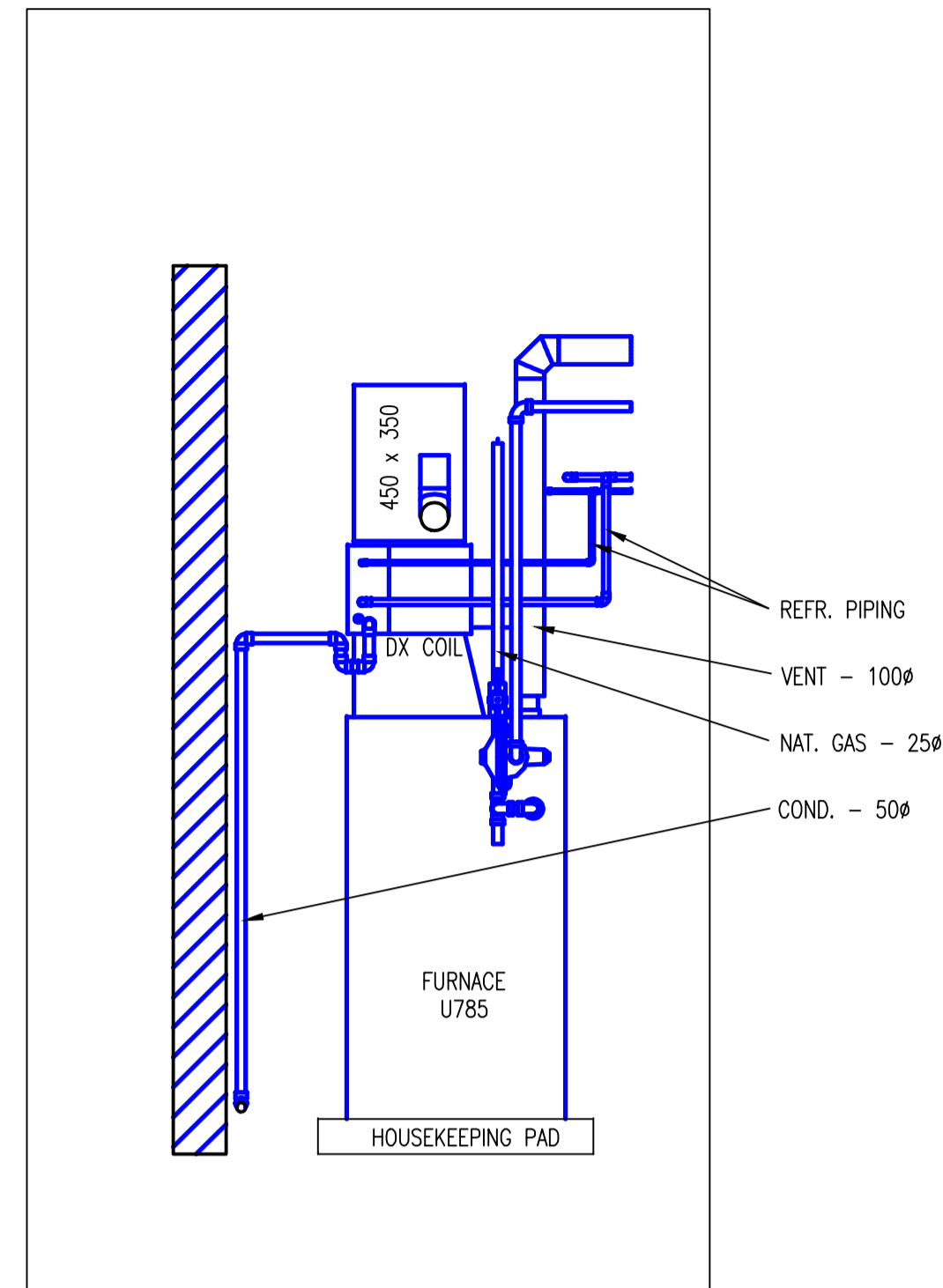
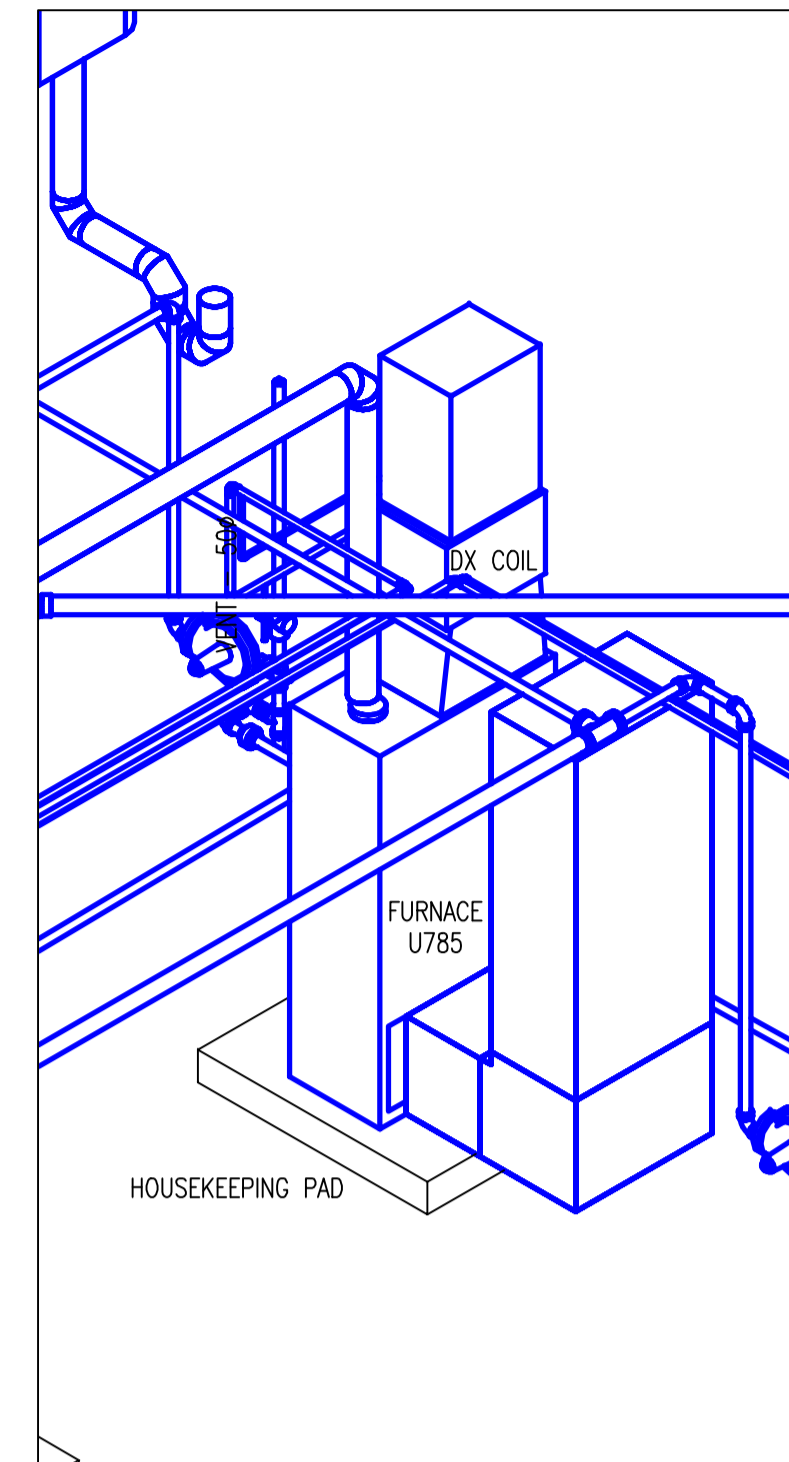


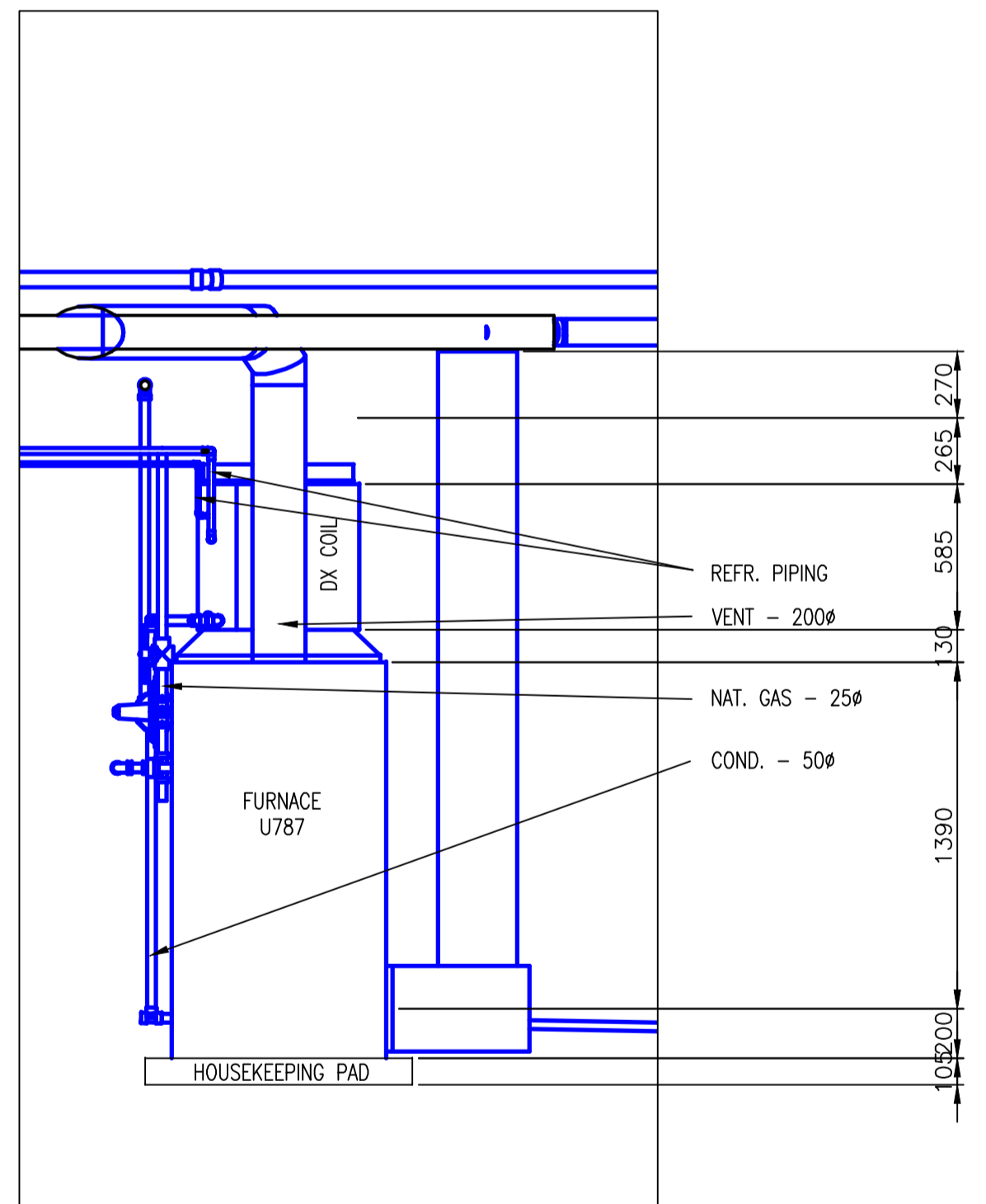
**A** U785 - FRONT ELEVATION  
UM4.2 SCALE 1:25



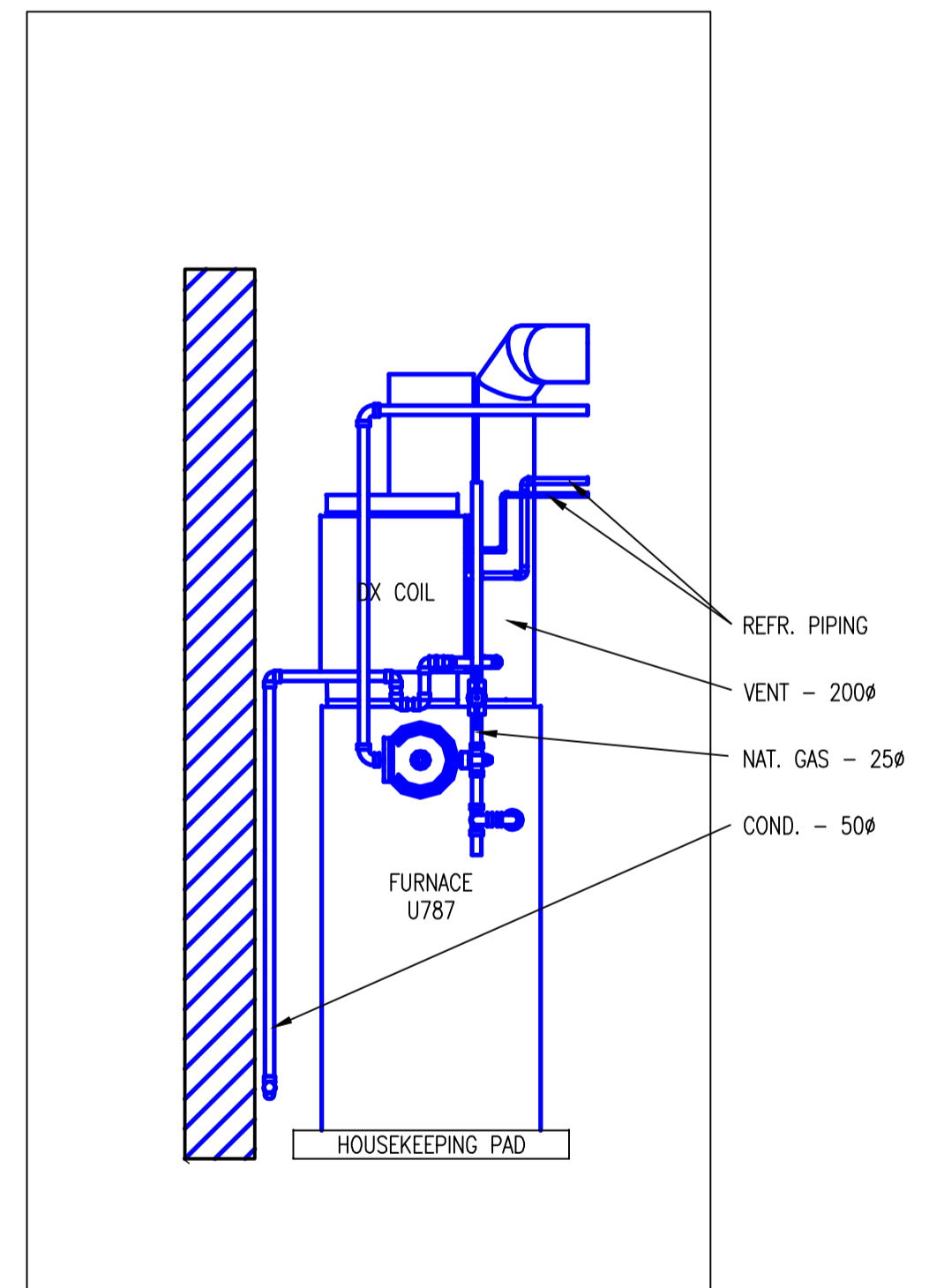
**B** U785 - LEFT SIDE ELEVATION  
UM4.2 SCALE 1:25



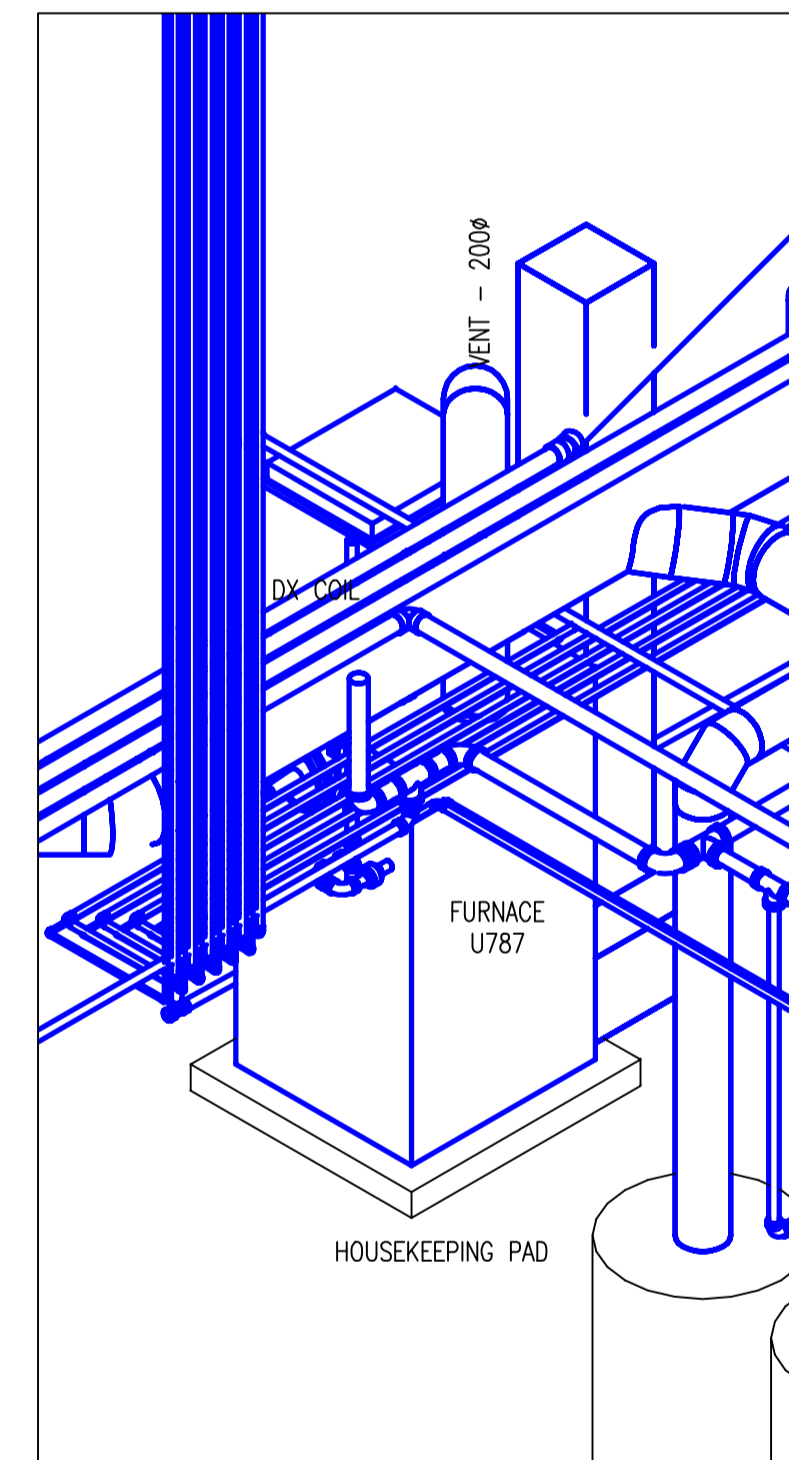
**C** ISOMETRIC - U785  
SCALE NTS



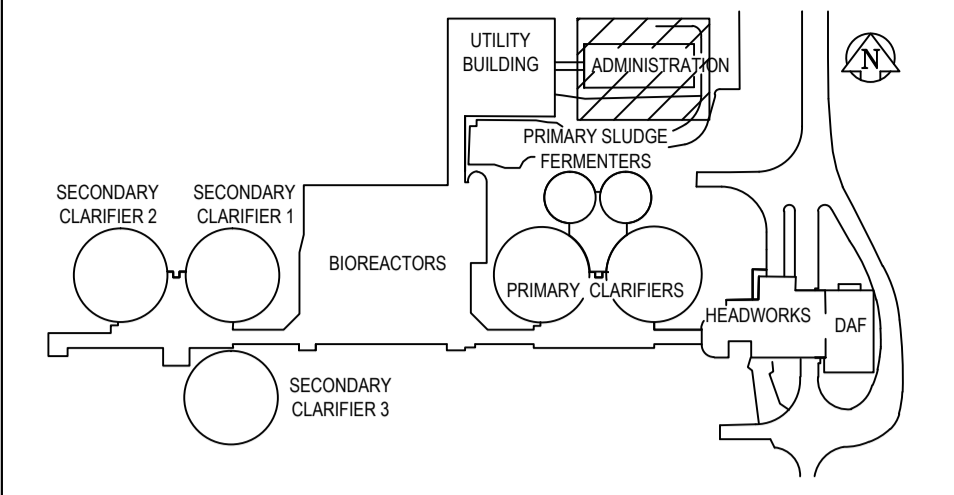
**C** U787 - FRONT ELEVATION  
UM4.2 SCALE 1:25



**D** U787 - LEFT SIDE ELEVATION  
UM4.2 SCALE 1:25



**F** ISOMETRIC - U787  
SCALE NTS



KEY PLAN

- NOTES
1. ALL FURNACE RETURN (U700, U705, U710, AND U780) OR OUTSIDE (U785 AND U787) DUCTING SHALL HAVE A FILTER SECTION BUILT INTO THE DUCTING BEFORE THE AIR ENTERS THE EQUIPMENT.
  2. CONNECT FURNACES TO THERMOSTATS FOR THE AREAS SERVED. PROVIDE NEW THERMOSTATS AT EXISTING LOCATIONS.

- GENERAL NOTES
1. PERFORM ALL WORK IN ACCORDANCE WITH ALL APPLICABLE CODES, STANDARDS AND PROVINCIAL MECHANICAL ENGINEERING & INSPECTIONS BRANCH REQUIREMENTS.
  2. COORDINATE WORKS WITH OTHER SUB-TRADES. REFER TO SPECIFIC DETAILS FOR CUTTING AND SEALING PENETRATIONS THROUGH OPENINGS & FIRE SEPARATIONS.
  3. REFER TO TECHNICAL SPECIFICATIONS FOR EQUIPMENT AND MATERIAL SPECIFICATIONS AND INSTALLATION CONSTRUCTION AND PHASING REQUIREMENTS.
  4. INSULATE DUCTWORK WHERE INDICATED AND SPECIFIED.
  5. SUPPORT ALL DUCTWORK TO MEET CODE REQUIREMENTS & ESTABLISHED INDUSTRY TRADE PRACTICES, (SMACNA, ASHRAE).
  6. INVESTIGATE SITE PRIOR TO CONSTRUCTION TO CONFIRM ALL DIMENSIONS AND INSTALLATION REQ'S.
  7. PERFORM ALL CUTTING & PATCHING NECESSARY FOR ANY REQUIRED OPENINGS.
  8. PROVIDE TAB TO ENSURE AIR DISTRIBUTION TO VOLUMES INDICATED.
  9. NOT ALL EQUIPMENT/PIPING, ETC. IS SHOWN.

**APEGM**  
Certificate of Authorization  
Alliance Engineering Services Inc.  
No.2906 Date: \_\_\_\_\_

B.M. ELEV.	FIELD BOOK #:
POSTED TO LBIS	
00 ISSUED FOR TENDER	2010-12-21 AFG
NO. REVISIONS	DATE BY

**ALLIANCE**  
Engineering Services Inc.

DESIGNED BY DD	CHECKED BY
DRAWN BY DD	APPROVED BY
HOR. SCALE NTS	RELEASED FOR CONSTRUCTION
VERTICAL NTS	
DATE 2010-11-05	DATE

ENGINEER'S SEAL  
PROVINCE OF MANITOBA  
A.F.G.  
GOSSEN  
REGISTERED PROFESSIONAL ENGINEER  
CONSULTANT DRAWING NO.  
UM4.13

**THE CITY OF WINNIPEG**  
WATER AND WASTE DEPARTMENT

2010 HVAC REPLACEMENT  
AND ASSOCIATED WORKS  
WEWPCC  
AREA U - ADMINISTRATION BUILDING  
MECHANICAL ROOM - EQUIPMENT DETAILS & ISOMETRICS [NEW]

SHEET 1 OF 1  
CITY DRAWING NUMBER  
1-0103V-M0032-001