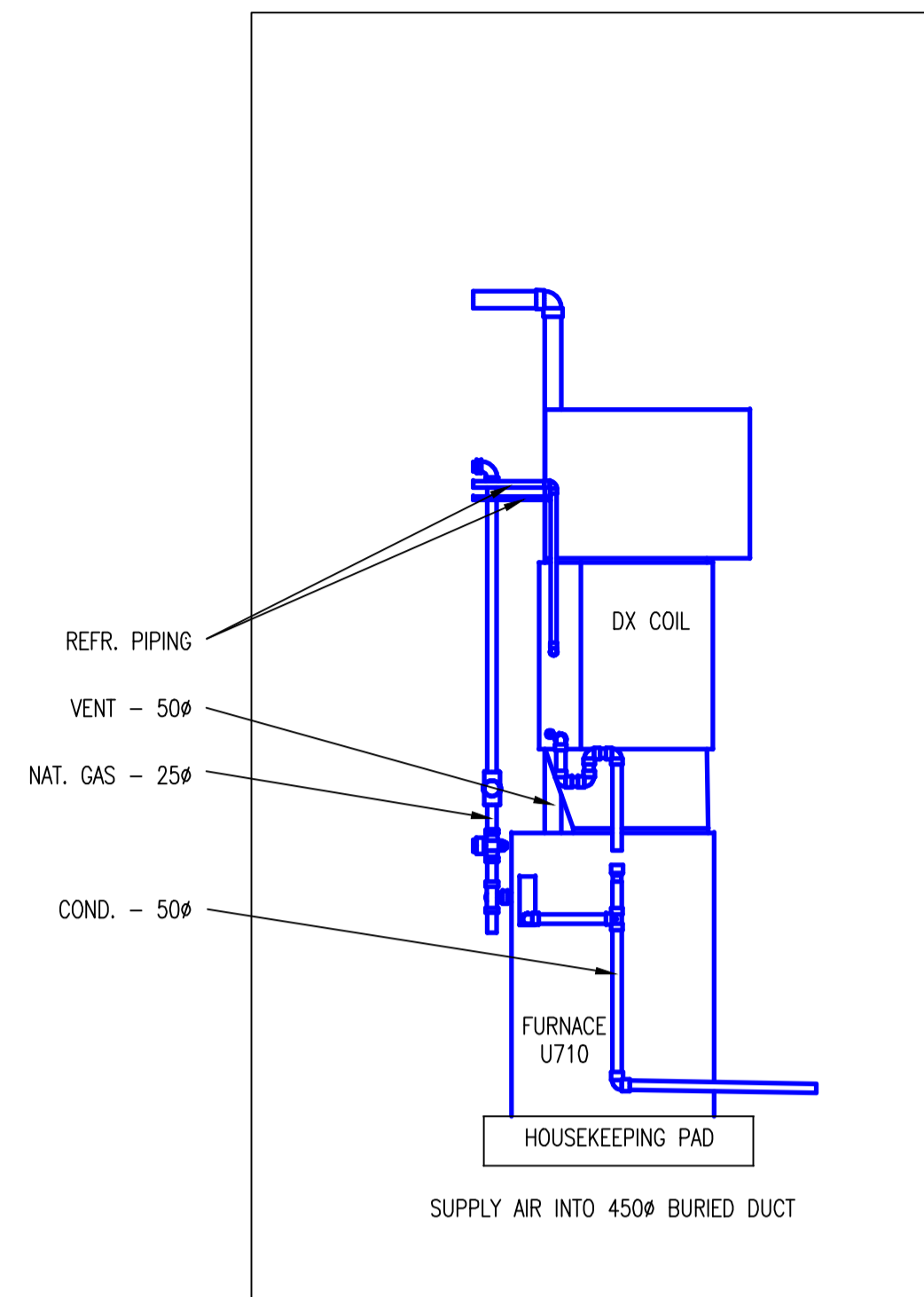
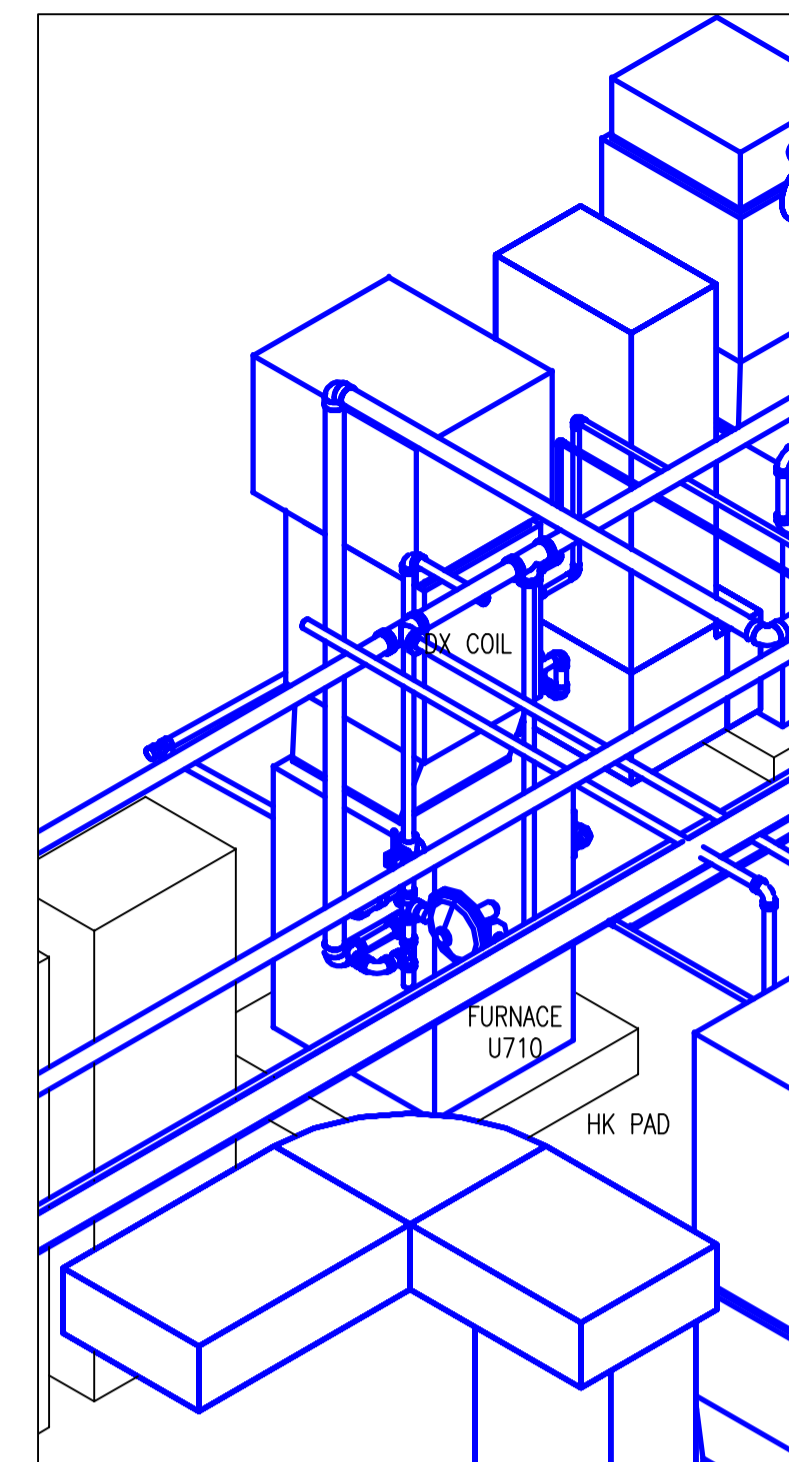


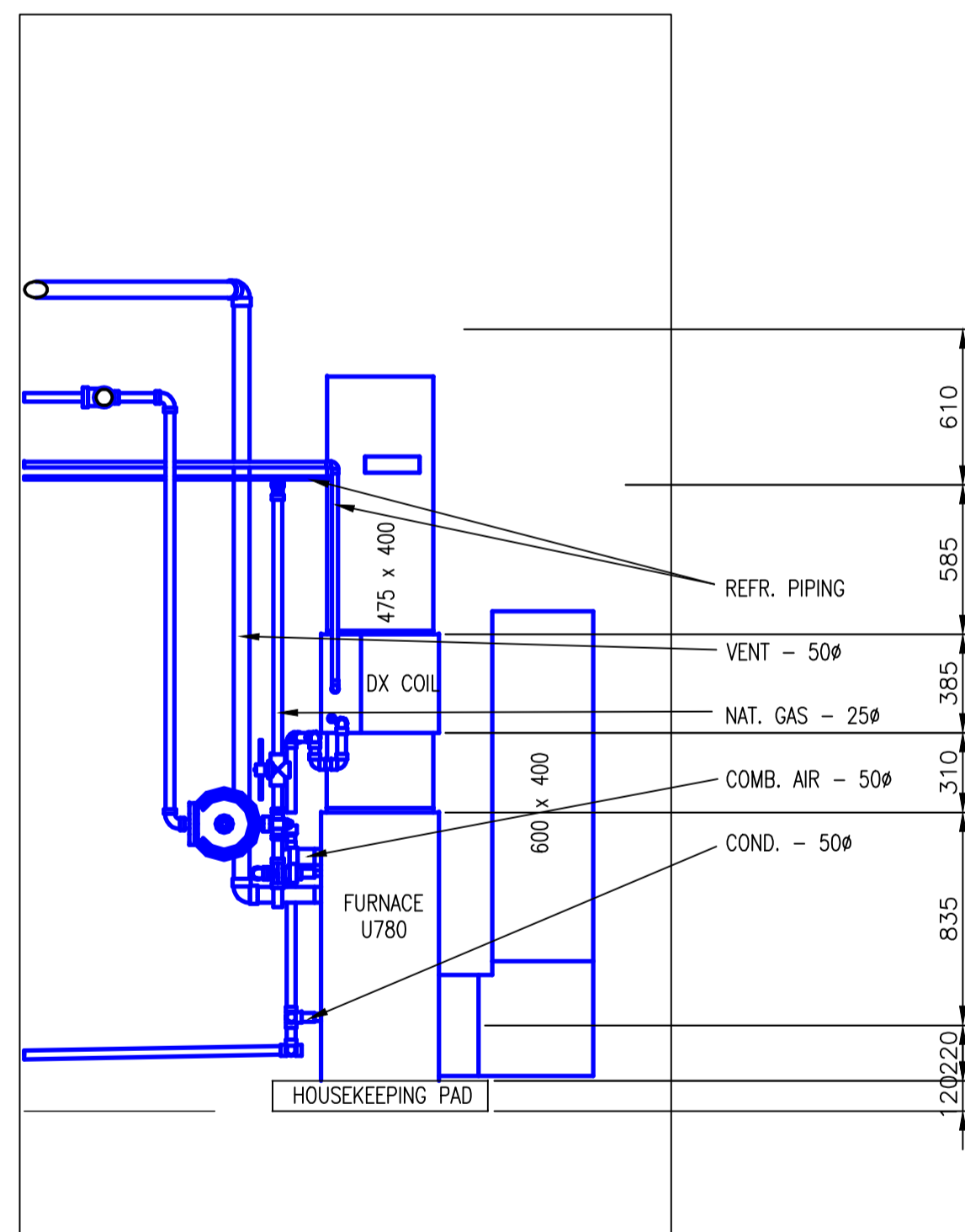
A U710 – FRONT ELEVATION
UM4.2 SCALE 1:25



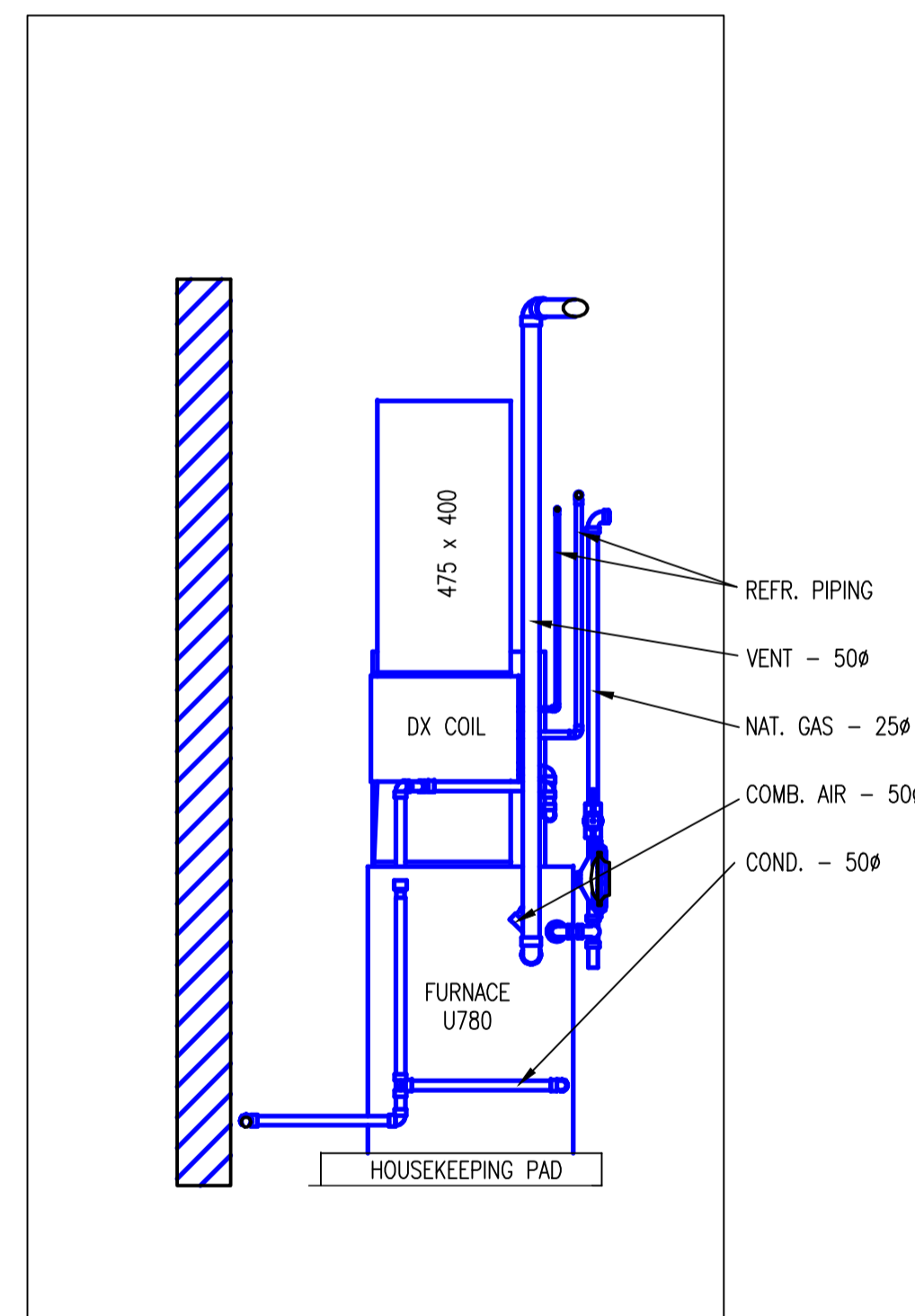
B U710 – LEFT SIDE ELEVATION
UM4.2 SCALE 1:25



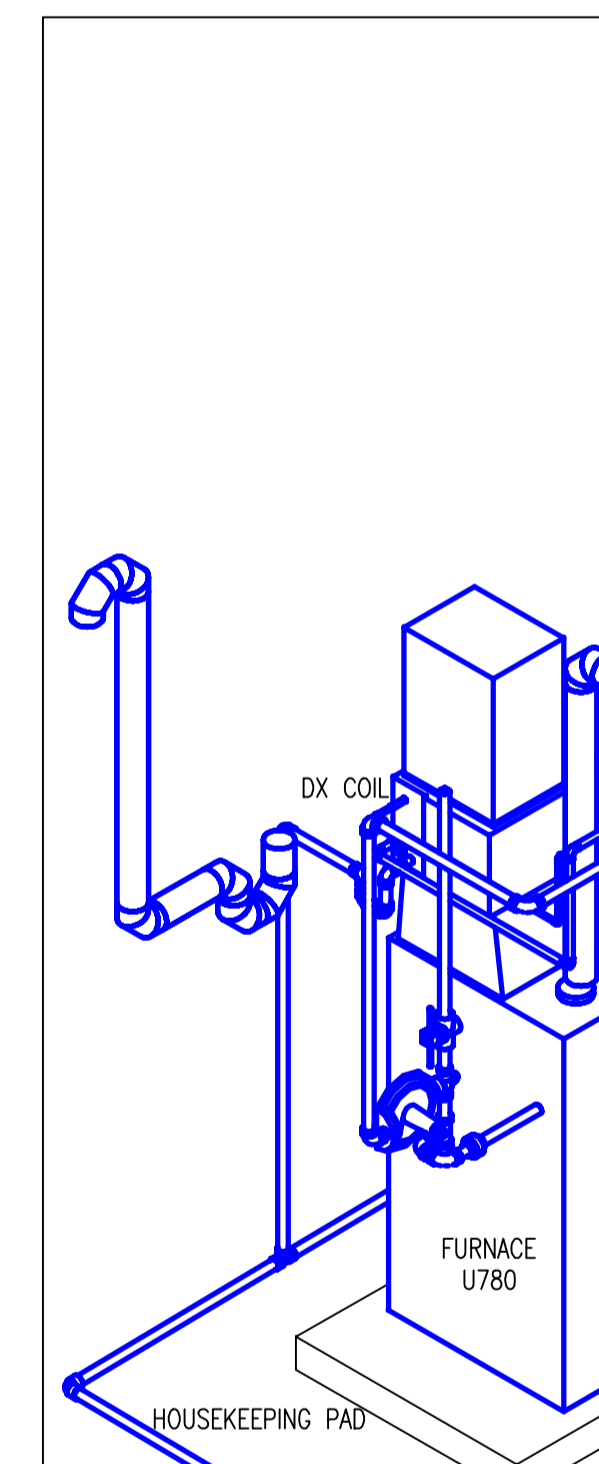
C ISOMETRIC – U710
SCALE NTS



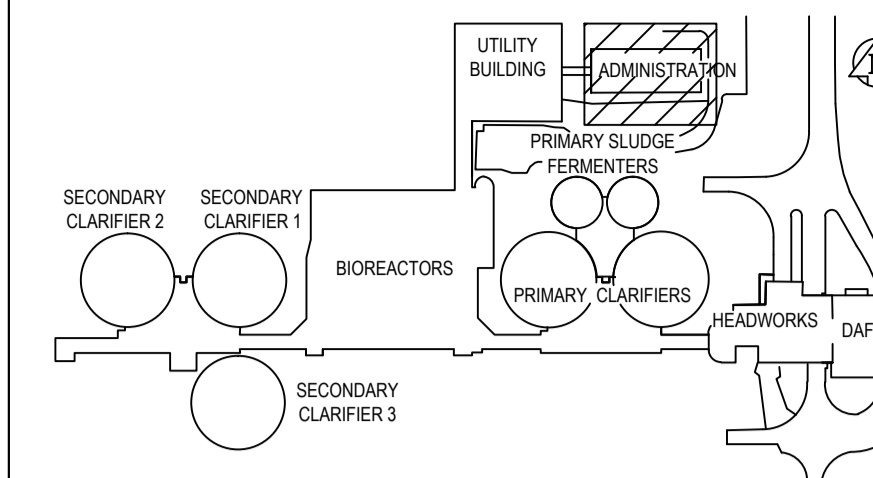
C U780 – FRONT ELEVATION
UM4.2 SCALE 1:25



D U780 – LEFT SIDE ELEVATION
UM4.2 SCALE 1:25



F ISOMETRIC – U780
SCALE NTS



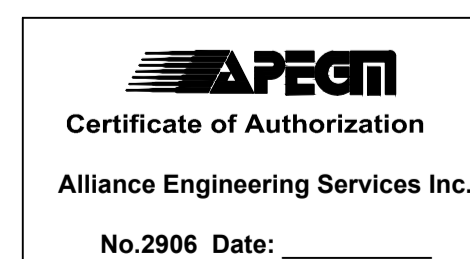
KEY PLAN

NOTES

1. ALL FURNACE RETURN (U700, U705, U710, AND U780) OR OUTSIDE (U785 AND U787) DUCTING SHALL HAVE A FILTER SECTION BUILT INTO THE DUCTING BEFORE THE AIR ENTERS THE EQUIPMENT.
2. CONNECT FURNACES TO THERMOSTATS FOR THE AREAS SERVED. PROVIDE NEW THERMOSTATS BUT MAINTAIN EXISTING LOCATIONS.

GENERAL NOTES

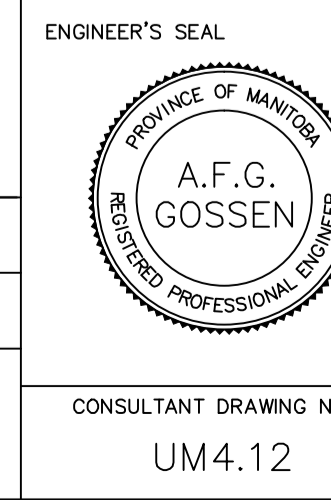
1. PERFORM ALL WORK IN ACCORDANCE WITH ALL APPLICABLE CODES, STANDARDS AND PROVINCIAL MECHANICAL ENGINEERING & INSPECTIONS BRANCH REQUIREMENTS.
2. COORDINATE WORKS WITH OTHER SUB-TRADES. REFER TO SPECIFIC DETAILS FOR CUTTING AND SEALING PENETRATIONS THROUGH OPENINGS & FIRE SEPARATIONS.
3. REFER TO TECHNICAL SPECIFICATIONS FOR EQUIPMENT AND MATERIAL SPECIFICATIONS AND INSTALLATION CONSTRUCTION AND PHASING REQUIREMENTS.
4. INSULATE DUCTWORK WHERE INDICATED AND SPECIFIED.
5. SUPPORT ALL DUCTWORK TO MEET CODE REQUIREMENTS & ESTABLISHED INDUSTRY TRADE PRACTICES, (SMACNA, ASHRAE).
6. INVESTIGATE SITE PRIOR TO CONSTRUCTION TO CONFIRM ALL DIMENSIONS AND INSTALLATION REQ'S.
7. PERFORM ALL CUTTING & PATCHING NECESSARY FOR ANY REQUIRED OPENINGS.
8. PROVIDE TAB TO ENSURE AIR DISTRIBUTION TO VOLUMES INDICATED.
9. NOT ALL EQUIPMENT/PIPING, ETC. IS SHOWN.



B.M. ELEV.	FIELD BOOK #:
POSTED TO LBIS	
00 ISSUED FOR TENDER	2010-12-21 AFG
NO. REVISIONS	DATE BY

ALLIANCE
Engineering Services Inc.

DESIGNED BY DD	CHECKED BY
DRAWN BY DD	APPROVED BY
HOR. SCALE NTS	RELEASED FOR CONSTRUCTION
VERTICAL NTS	
DATE 2010-11-05	DATE



THE CITY OF WINNIPEG
WATER AND WASTE DEPARTMENT

2010 HVAC REPLACEMENT AND ASSOCIATED WORKS
WEWPCC
AREA U – ADMINISTRATION BUILDING
MECHANICAL ROOM – EQUIPMENT DETAILS & ISOMETRICS [NEW]

SHEET 1 OF 1
CITY DRAWING NUMBER
1-0103V-M0031-001

CONSULTANT DRAWING NO.
UM4.12