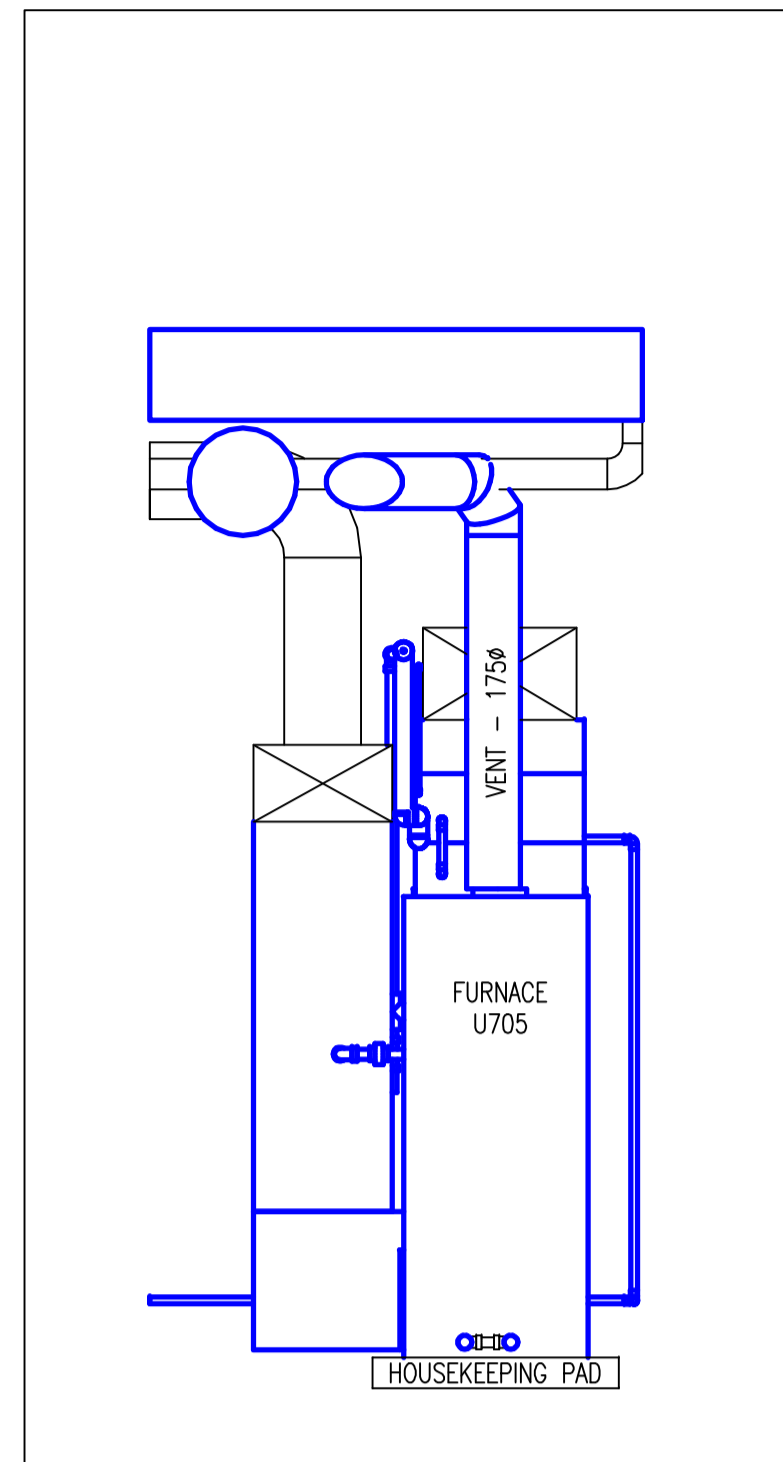


EQUIPMENT INFORMATION:

FURNACE\_U700  
 MANUFACTURER - ENGINEERED AIR  
 MODEL - XE-170-HB-M-B-E  
 FUEL - NATURAL GAS  
 INPUT kW (BTU) - 49.8 (170,000)  
 OUTPUT kW (BTU) - 37.8 (129,200)  
 MOTOR kW (HP) - 0.37 (0.5)  
 MOTOR POWER SUP. - 120V/1 $\phi$ /60Hz  
 AIR L/s (CFM) - 688.6 (1460)  
 E.S.P. Pa (in.w.c.) - 186.6 (0.75)  
 STAGING - 1 HEAT / 1 COOL  
 VENT SIZE mm (in) - 177.8 (7)

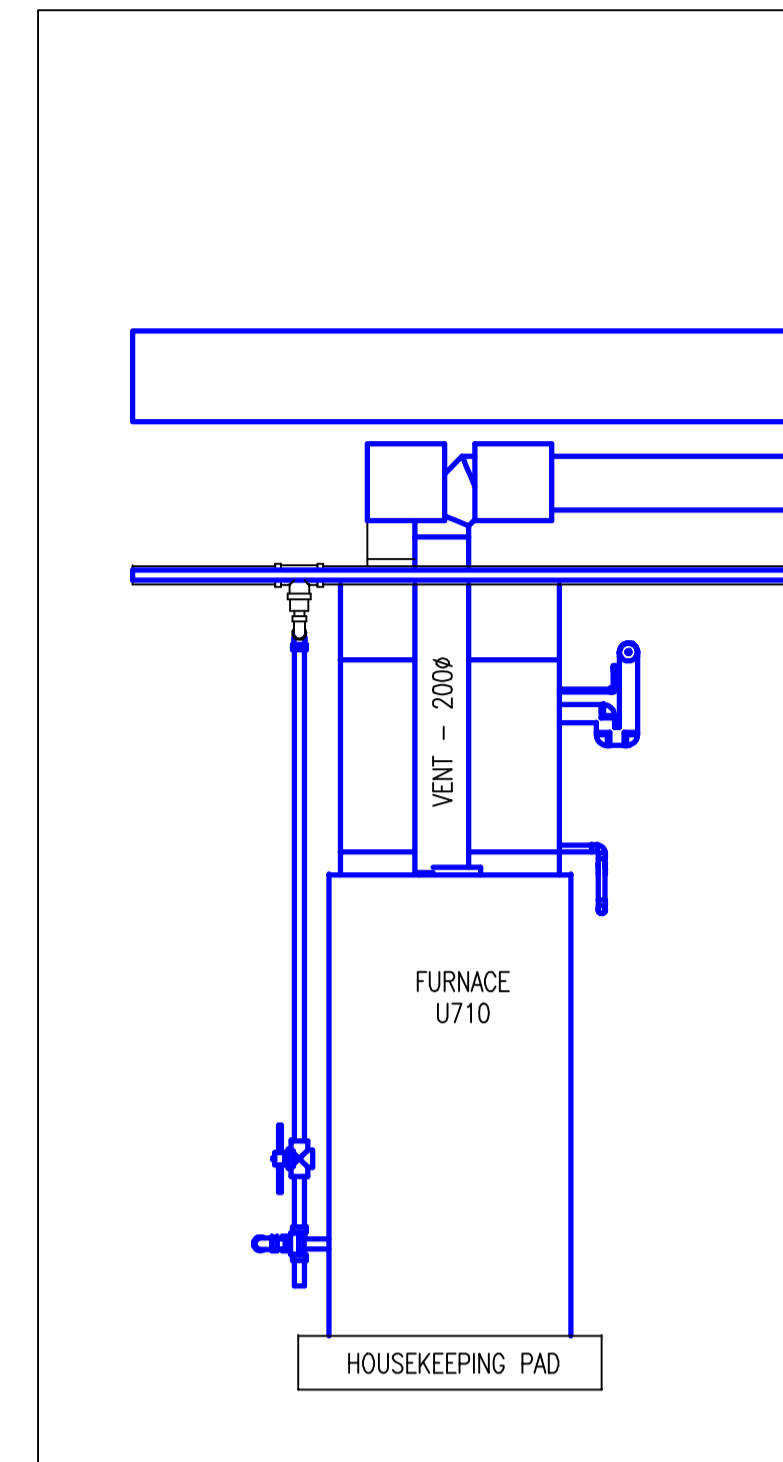
A  
-  
DETAIL - U700  
SCALE 1:25



EQUIPMENT INFORMATION:

FURNACE\_U705  
 MANUFACTURER - ENGINEERED AIR  
 MODEL - XE-170-HB-M-B-E  
 FUEL - NATURAL GAS  
 INPUT kW (BTU) - 49.8 (170,000)  
 OUTPUT kW (BTU) - 37.8 (129,200)  
 MOTOR kW (HP) - 0.37 (0.5)  
 MOTOR POWER SUP. - 120V/1 $\phi$ /60Hz  
 AIR L/s (CFM) - 688.6 (1460)  
 E.S.P. Pa (in.w.c.) - 186.6 (0.75)  
 STAGING - 1 HEAT / 1 COOL  
 VENT SIZE mm (in) - 177.8 (7)

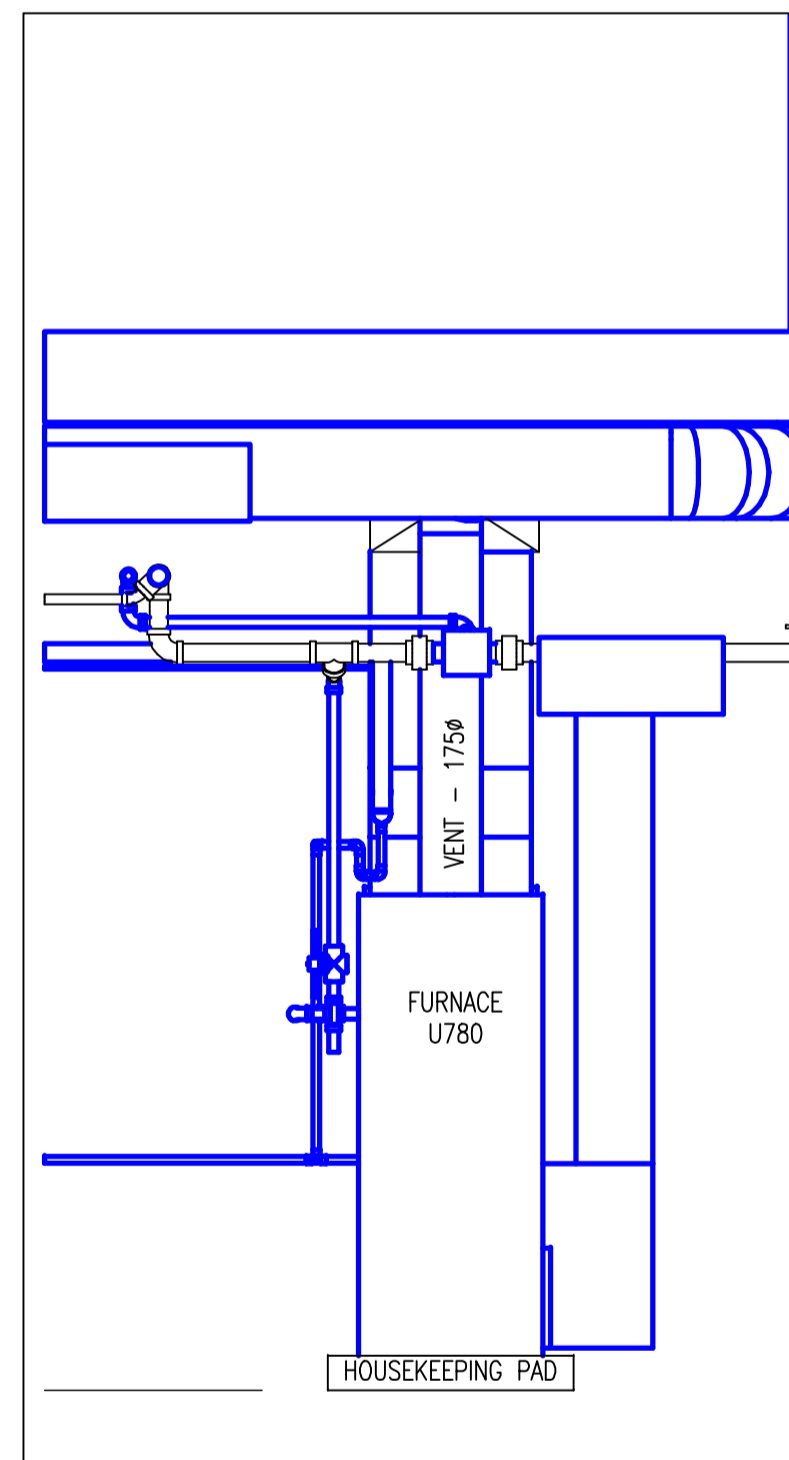
A  
-  
DETAIL - U705  
SCALE 1:25



EQUIPMENT INFORMATION:

FURNACE\_U710  
 MANUFACTURER - ENGINEERED AIR  
 MODEL - XE-235-CF-SS-M-B-E  
 FUEL - NATURAL GAS  
 INPUT kW (BTU) - 68.7 (235,000)  
 OUTPUT kW (BTU) - 52.3 (178,600)  
 MOTOR kW (HP) - 0.56 (0.75)  
 MOTOR POWER SUP. - 120V/1 $\phi$ /60Hz  
 AIR L/s (CFM) - 952.8 (2020)  
 E.S.P. Pa (in.w.c.) - 186.6 (0.75)  
 STAGING - 1 HEAT / 1 COOL  
 VENT SIZE mm (in) - 203 (8)

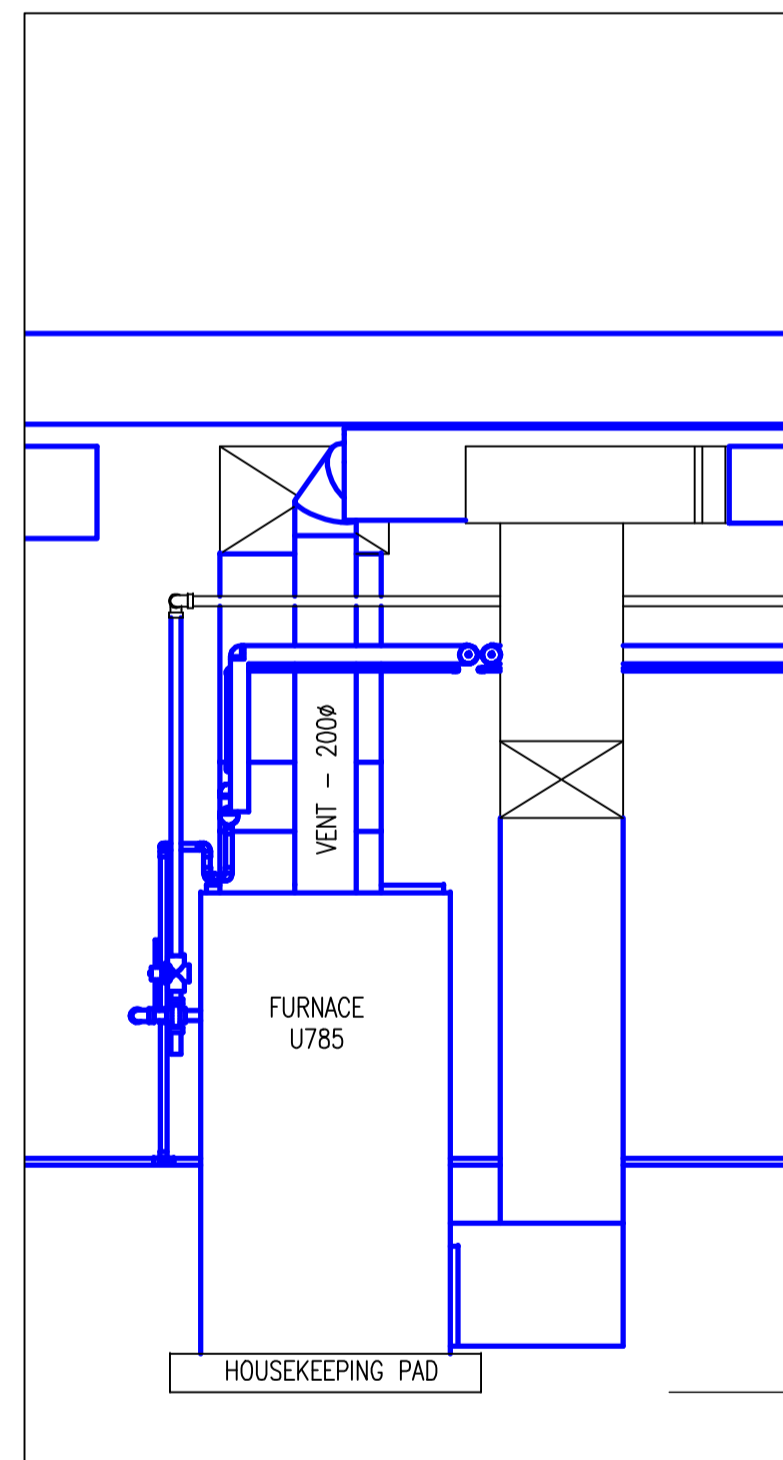
A  
-  
DETAIL - U710  
SCALE 1:25



EQUIPMENT INFORMATION:

FURNACE\_U780  
 MANUFACTURER - ENGINEERED AIR  
 MODEL - XE-170-HB-M-B-E  
 FUEL - NATURAL GAS  
 INPUT kW (BTU) - 49.8 (170,000)  
 OUTPUT kW (BTU) - 37.8 (129,200)  
 MOTOR kW (HP) - 0.37 (0.5)  
 MOTOR POWER SUP. - 120V/1 $\phi$ /60Hz  
 AIR L/s (CFM) - 688.6 (1460)  
 E.S.P. Pa (in.w.c.) - 186.6 (0.75)  
 STAGING - 1 HEAT / 1 COOL  
 VENT SIZE mm (in) - 177.8 (7)

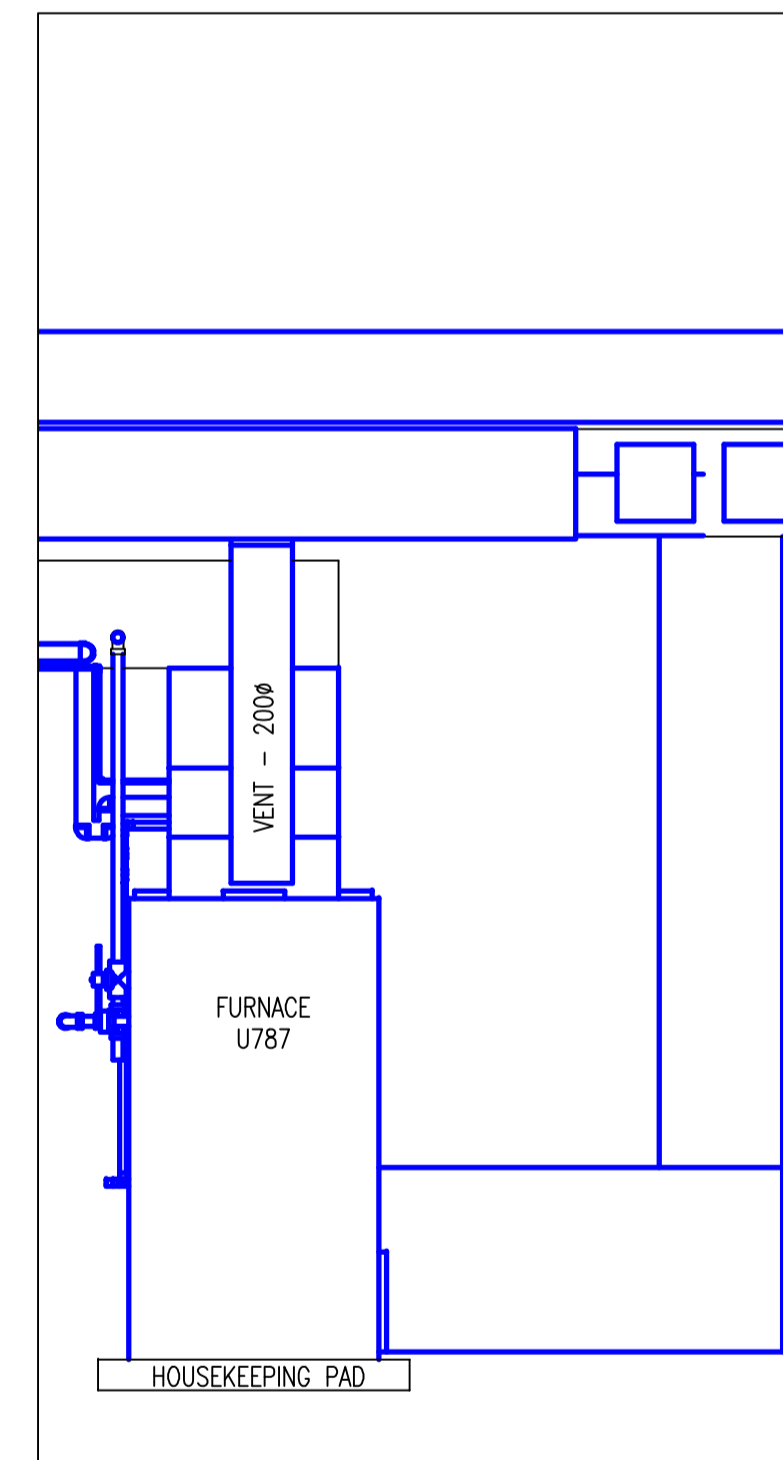
A  
-  
DETAIL - U780  
SCALE 1:25



EQUIPMENT INFORMATION:

FURNACE\_U785  
 MANUFACTURER - ENGINEERED AIR  
 MODEL - XE-235-HB-SS-M-B-E  
 FUEL - NATURAL GAS  
 INPUT kW (BTU) - 68.7 (235,000)  
 OUTPUT kW (BTU) - 52.3 (178,600)  
 MOTOR kW (HP) - 0.56 (0.75)  
 MOTOR POWER SUP. - 120V/1 $\phi$ /60Hz  
 AIR L/s (CFM) - 952.8 (2020)  
 E.S.P. Pa (in.w.c.) - 186.6 (0.75)  
 STAGING - 1 HEAT / 1 COOL  
 VENT SIZE mm (in) - 203 (8)

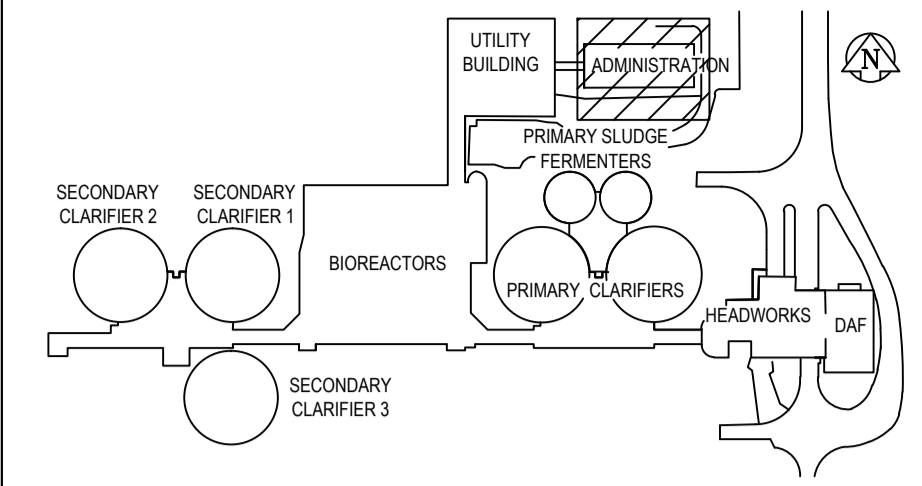
A  
-  
DETAIL - U785  
SCALE 1:25



EQUIPMENT INFORMATION:

FURNACE\_U787  
 MANUFACTURER - ENGINEERED AIR  
 MODEL - XE-235-HB-SS-M-B-E  
 FUEL - NATURAL GAS  
 INPUT kW (BTU) - 68.7 (235,000)  
 OUTPUT kW (BTU) - 52.3 (178,600)  
 MOTOR kW (HP) - 0.56 (0.75)  
 MOTOR POWER SUP. - 120V/1 $\phi$ /60Hz  
 AIR L/s (CFM) - 952.8 (2020)  
 E.S.P. Pa (in.w.c.) - 186.6 (0.75)  
 STAGING - 1 HEAT / 1 COOL  
 VENT SIZE mm (in) - 203 (8)

A  
-  
DETAIL - U787  
SCALE 1:25



KEY PLAN

NOTES

- ITEMS TO BE DEMOLISHED ARE SHOWN IN BLUE. PERFORM CUTTING AND PATCHING AS REQUIRED.

GENERAL NOTES

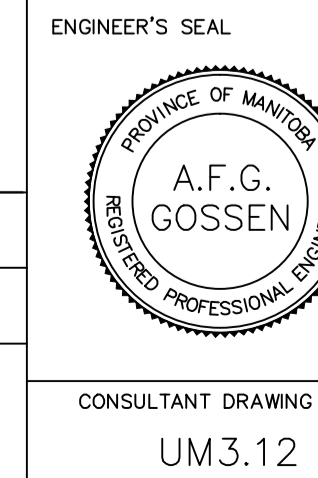
- PERFORM ALL WORK IN ACCORDANCE WITH ALL APPLICABLE CODES, STANDARDS AND PROVINCIAL MECHANICAL ENGINEERING & INSPECTIONS BRANCH REQUIREMENTS.
- COORDINATE WORKS WITH OTHER SUB-TRADES. REFER TO SPECIFIC DETAILS FOR CUTTING AND SEALING PENETRATIONS THROUGH OPENINGS & FIRE SEPARATIONS.
- REFER TO TECHNICAL SPECIFICATIONS FOR EQUIPMENT AND MATERIAL SPECIFICATIONS AND INSTALLATION CONSTRUCTION AND PHASING REQUIREMENTS.
- INSULATE DUCTWORK WHERE INDICATED AND SPECIFIED.
- SUPPORT ALL DUCTWORK TO MEET CODE REQUIREMENTS & ESTABLISHED INDUSTRY TRADE PRACTICES, (SMACNA, ASHRAE).
- INVESTIGATE SITE PRIOR TO CONSTRUCTION TO CONFIRM ALL DIMENSIONS AND INSTALLATION REQ'S.
- PERFORM ALL CUTTING & PATCHING NECESSARY FOR ANY REQUIRED OPENINGS.
- PROVIDE TAB TO ENSURE AIR DISTRIBUTION TO VOLUMES INDICATED.
- NOT ALL EQUIPMENT/PIPING, ETC. IS SHOWN.



B.M. ELEV.	FIELD BOOK #:
POSTED TO LBIS	
00 ISSUED FOR TENDER	2010-12-21 AFG
NO. REVISIONS	DATE BY

**ALLIANCE**  
Engineering Services Inc.

DESIGNED BY DD	CHECKED BY
DRAWN BY DD	APPROVED BY
HOR. SCALE 1:25	RELEASED FOR CONSTRUCTION
VERTICAL 1:25	
DATE 2010-11-05	DATE



**THE CITY OF WINNIPEG**  
WATER AND WASTE DEPARTMENT

2010 HVAC REPLACEMENT  
AND ASSOCIATED WORKS  
WEWPCC  
AREA U - ADMINISTRATION BUILDING  
MECHANICAL ROOM - FURNACE DETAILS [EXIST]

SHEET 1 OF 1  
CITY DRAWING NUMBER  
1-0103V-M0019-001

CONSULTANT DRAWING NO.  
UM3.12