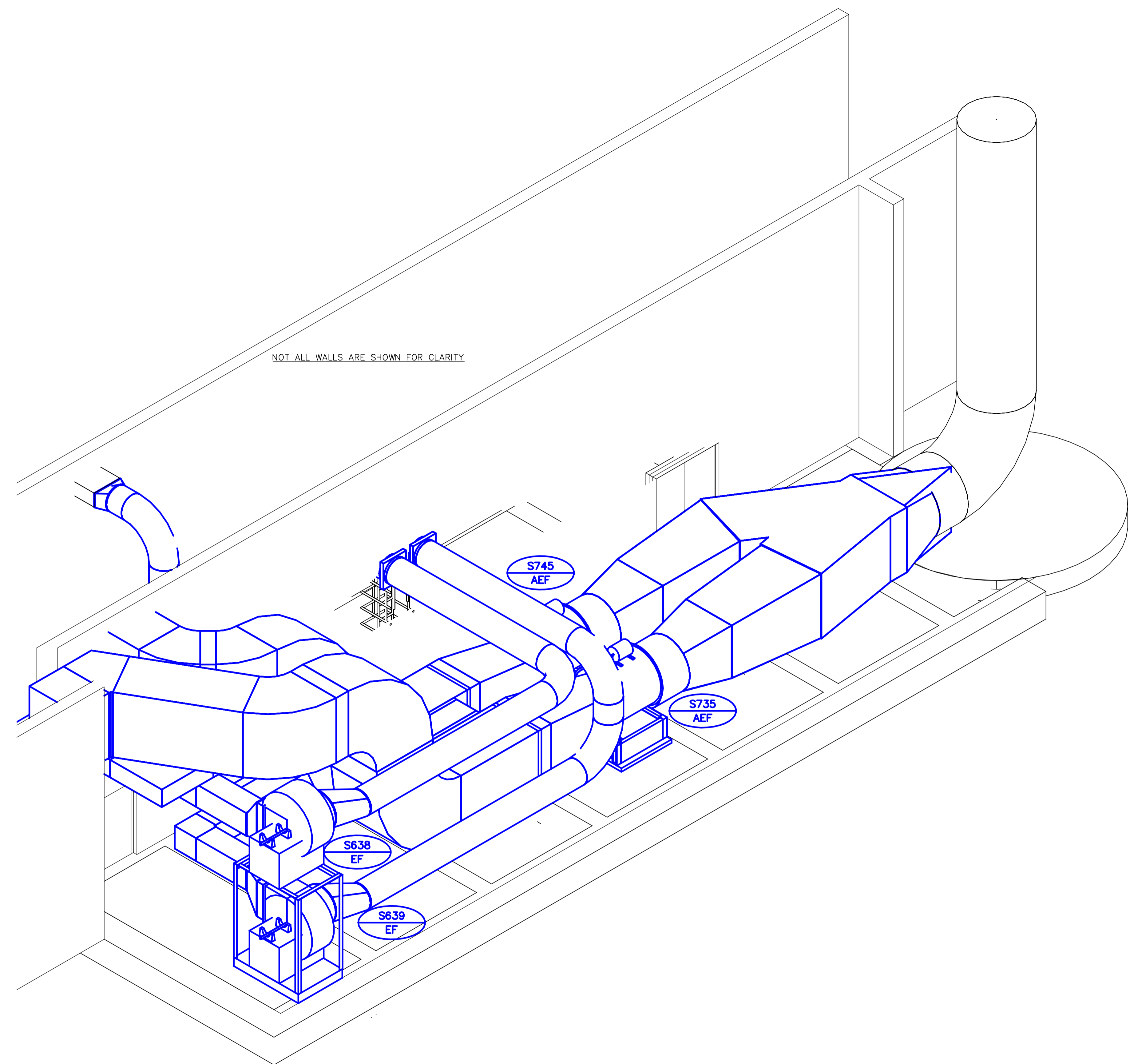


KEY PLAN



NOT ALL WALLS ARE SHOWN FOR CLARITY

A ISOMETRIC
N.T.S.

- GENERAL NOTES**
- PERFORM ALL WORK IN ACCORDANCE WITH ALL APPLICABLE CODES, STANDARDS AND PROVINCIAL MECHANICAL ENGINEERING & INSPECTIONS BRANCH REQUIREMENTS.
 - COORDINATE WORKS WITH OTHER SUB-TRADES. REFER TO SPECIFIC DETAILS FOR CUTTING AND SEALING PENETRATIONS THROUGH OPENINGS & FIRE SEPARATIONS.
 - REFER TO TECHNICAL SPECIFICATIONS FOR EQUIPMENT AND MATERIAL SPECIFICATIONS AND INSTALLATION CONSTRUCTION AND PHASING REQUIREMENTS.
 - INSULATE DUCTWORK WHERE INDICATED AND SPECIFIED.
 - SUPPORT ALL DUCTWORK TO MEET CODE REQUIREMENTS & ESTABLISHED INDUSTRY TRADE PRACTICES, (SMACNA, ASHRAE).
 - INVESTIGATE SITE PRIOR TO CONSTRUCTION TO CONFIRM ALL DIMENSIONS AND INSTALLATION REQ'S.
 - PERFORM ALL CUTTING & PATCHING NECESSARY FOR ANY REQUIRED OPENINGS.
 - PROVIDE TAB TO ENSURE AIR DISTRIBUTION TO VOLUMES INDICATED.
 - NOT ALL EQUIPMENT/PIPING, ETC. IS SHOWN.

 ALLIANCE Engineering Services Inc. No.2906 Date: _____		B.M. ELEV. _____ FIELD BOOK # _____ POSTED TO LBIS _____
DESIGNED BY	IU	CHECKED BY
DRAWN BY	IU	APPROVED BY
HOR. SCALE	N.T.S.	RELEASED FOR CONSTRUCTION
VERTICAL	N.T.S.	DATE
00 ISSUED FOR TENDER	2010-12-21	AFG
NO. REVISIONS	DATE	BY
	2009 11 19	

ALLIANCE Engineering Services Inc.

ENGINEER'S SEAL

CONSULTANT DRAWING NO. SM3.3

THE CITY OF WINNIPEG
WATER AND WASTE DEPARTMENT

2010 HVAC REPLACEMENT AND ASSOCIATED WORKS
WEWPCC
AREA S – ODOUR DISPERSION ROOM
HVAC – EXISTING CONDITIONS – ISOMETRIC

SHEET 1 OF 1
CITY DRAWING NUMBER
1-0103S-M0025-001