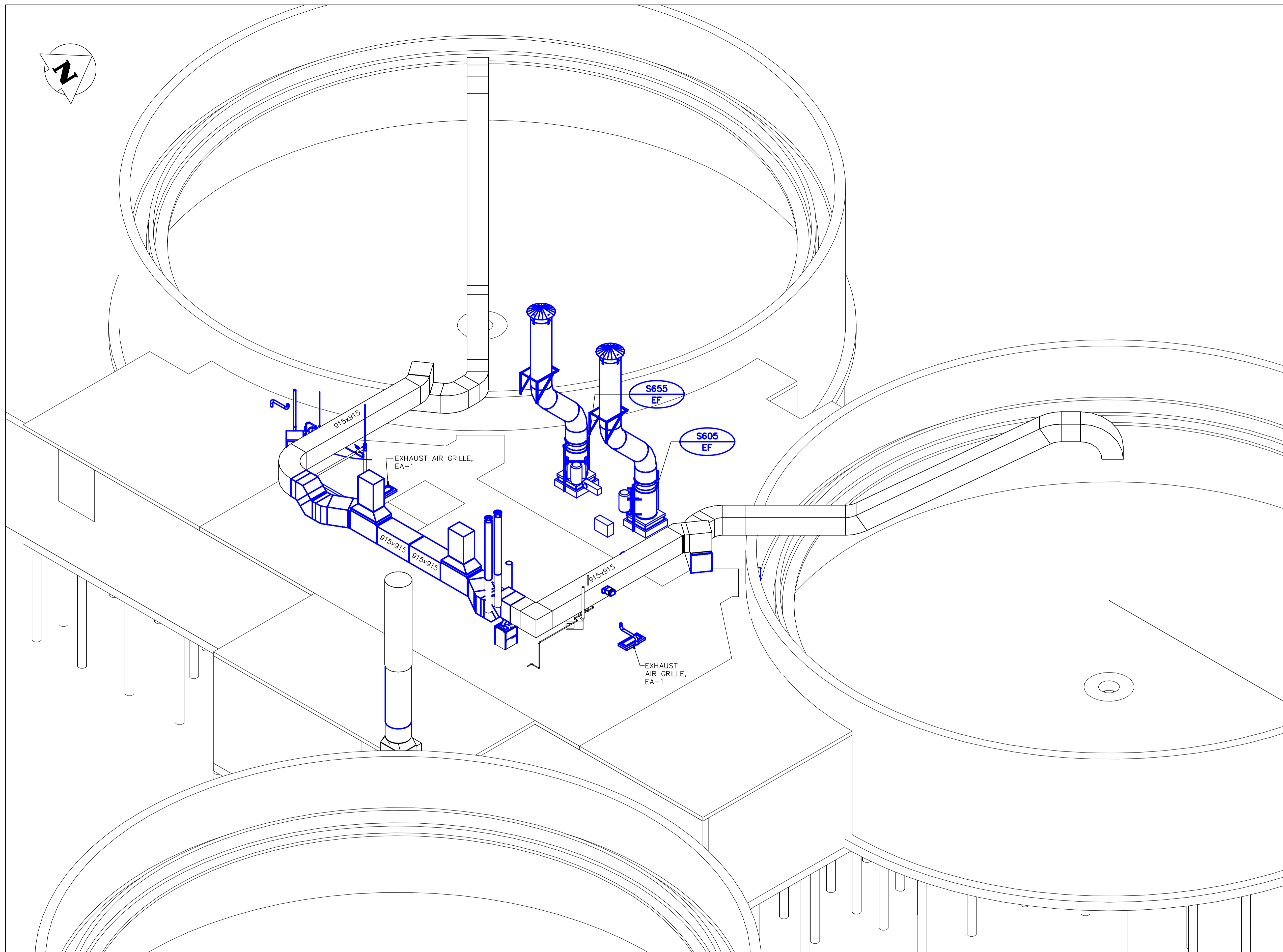


KEY PLAN



- GENERAL NOTES**
- PERFORM ALL WORK IN ACCORDANCE WITH ALL APPLICABLE CODES, STANDARDS AND PROVINCIAL MECHANICAL ENGINEERING & INSPECTIONS BRANCH REQUIREMENTS.
 - COORDINATE WORKS WITH OTHER SUB-TRADES. REFER TO SPECIFIC DETAILS FOR CUTTING AND SEALING PENETRATIONS THROUGH OPENINGS & FIRE SEPARATIONS.
 - REFER TO TECHNICAL SPECIFICATIONS FOR EQUIPMENT AND MATERIAL SPECIFICATIONS AND INSTALLATION CONSTRUCTION AND PHASING REQUIREMENTS.
 - INSULATE DUCTWORK WHERE INDICATED AND SPECIFIED.
 - SUPPORT ALL DUCTWORK TO MEET CODE REQUIREMENTS & ESTABLISHED INDUSTRY TRADE PRACTICES, (SMACNA, ASHRAE).
 - INVESTIGATE SITE PRIOR TO CONSTRUCTION TO CONFIRM ALL DIMENSIONS AND INSTALLATION REQ'S.
 - PERFORM ALL CUTTING & PATCHING NECESSARY FOR ANY REQUIRED OPENINGS.
 - PROVIDE TAB TO ENSURE AIR DISTRIBUTION TO VOLUMES INDICATED.
 - NOT ALL EQUIPMENT/PIPING, ETC. IS SHOWN.

A AREA S – DISTRIBUTION BUILDING – ISOMETRIC
N.T.S.

APEGN
Certificate of Authorization
Alliance Engineering Services Inc.
No.2906 Date: _____

B.M. ELEV.	FIELD BOOK #:
POSTED TO LBIS	
00 ISSUED FOR TENDER	2010-12-21 AFG
NO. REVISIONS	DATE BY

ALLIANCE
Engineering Services Inc.

DESIGNED BY IU	CHECKED BY AG
DRAWN BY IU	APPROVED BY
HOR. SCALE N.T.S.	RELEASED FOR CONSTRUCTION
VERTICAL N.T.S.	
DATE 2010-02-23	DATE

ENGINEER'S SEAL

CONSULTANT DRAWING NO. SM2.6

THE CITY OF WINNIPEG
WATER AND WASTE DEPARTMENT

2010 HVAC REPLACEMENT AND ASSOCIATED WORKS
WEWPCC

AREA S – SECONDARY CLARIFIERS 1 & 2
DISTRIBUTION BUILDING – NEW ISOMETRIC

SHEET 1 OF 1
CITY DRAWING NUMBER 1-0103S-M0019-001