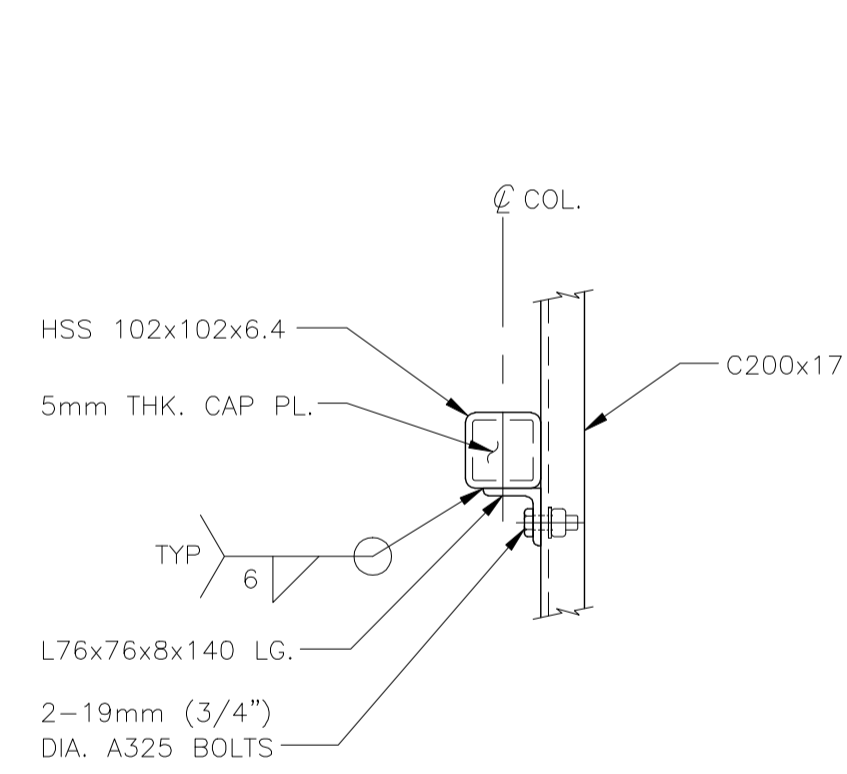
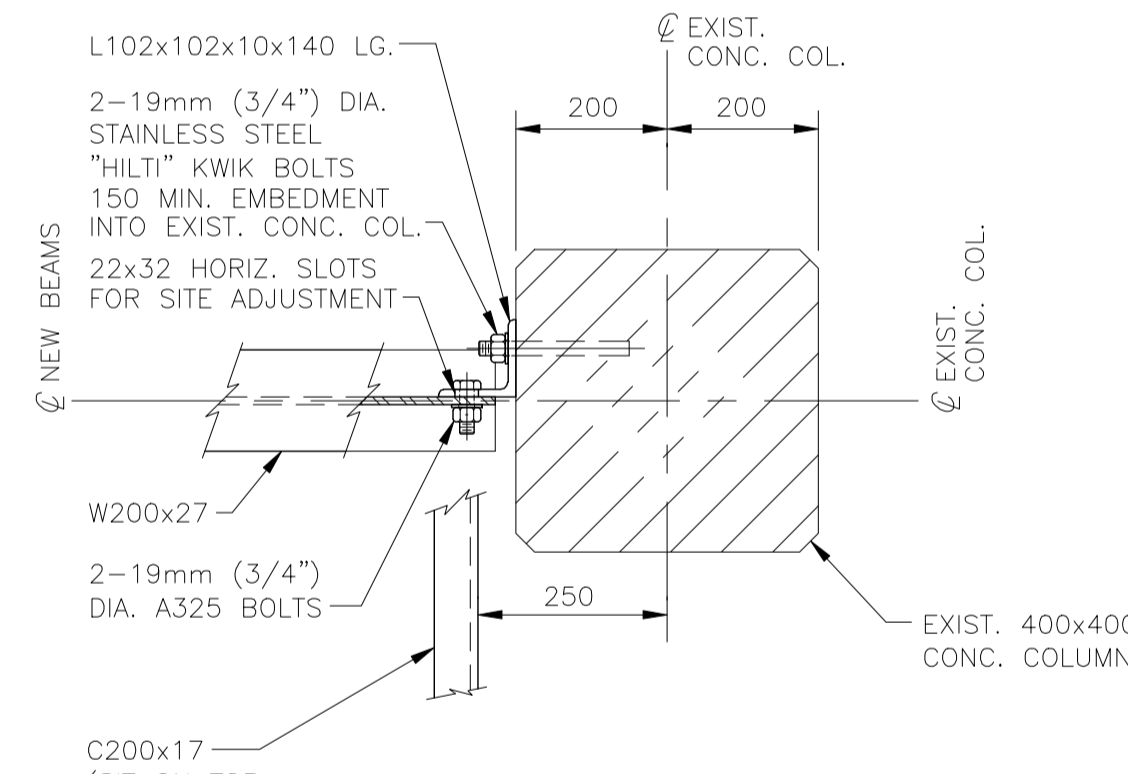


SERVICE ACCESS PLATFORM & MONORAIL – FAN MAINTENANCE

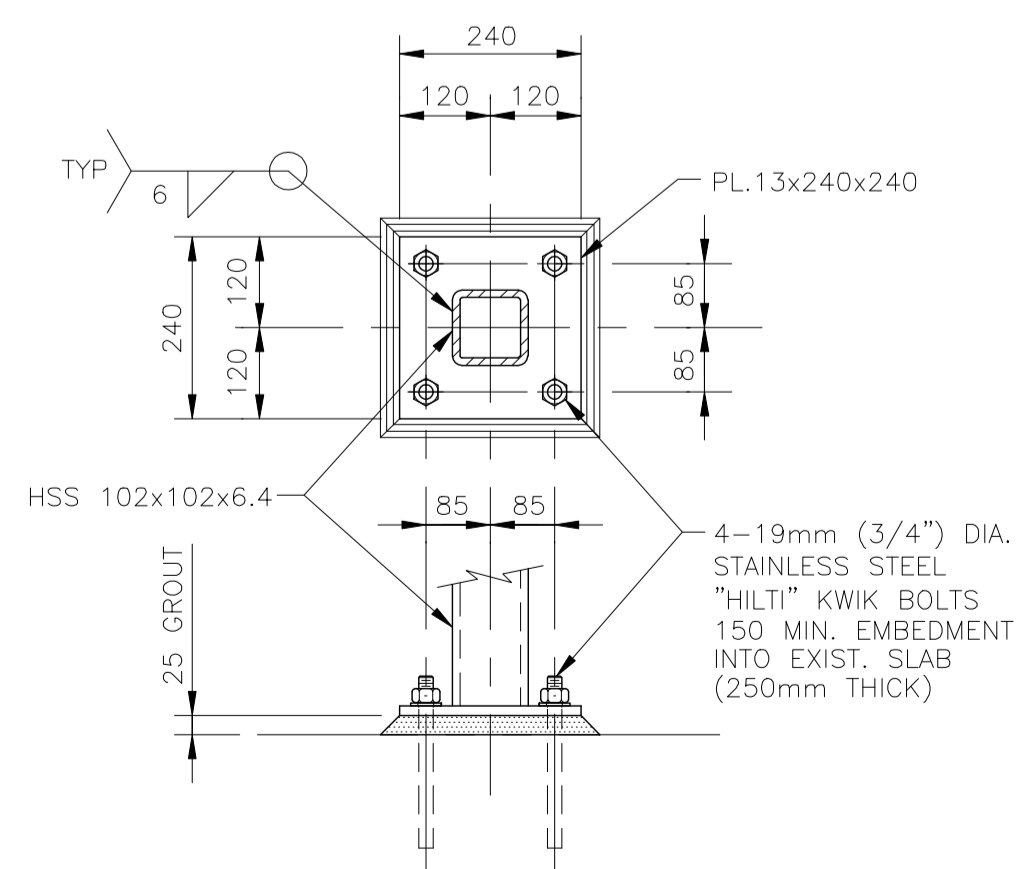
SCALE: 1:25



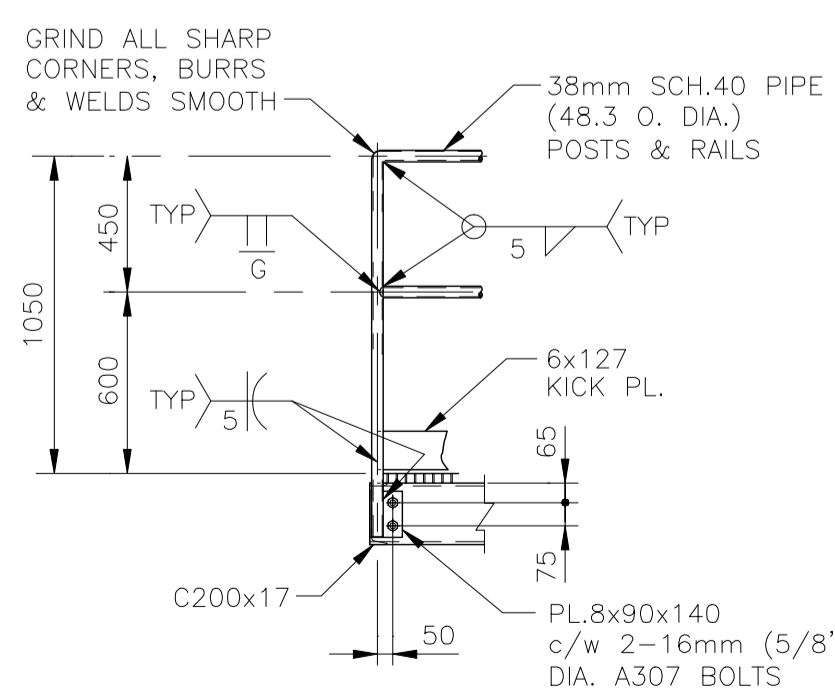
1 DETAIL
SCALE: 1:10



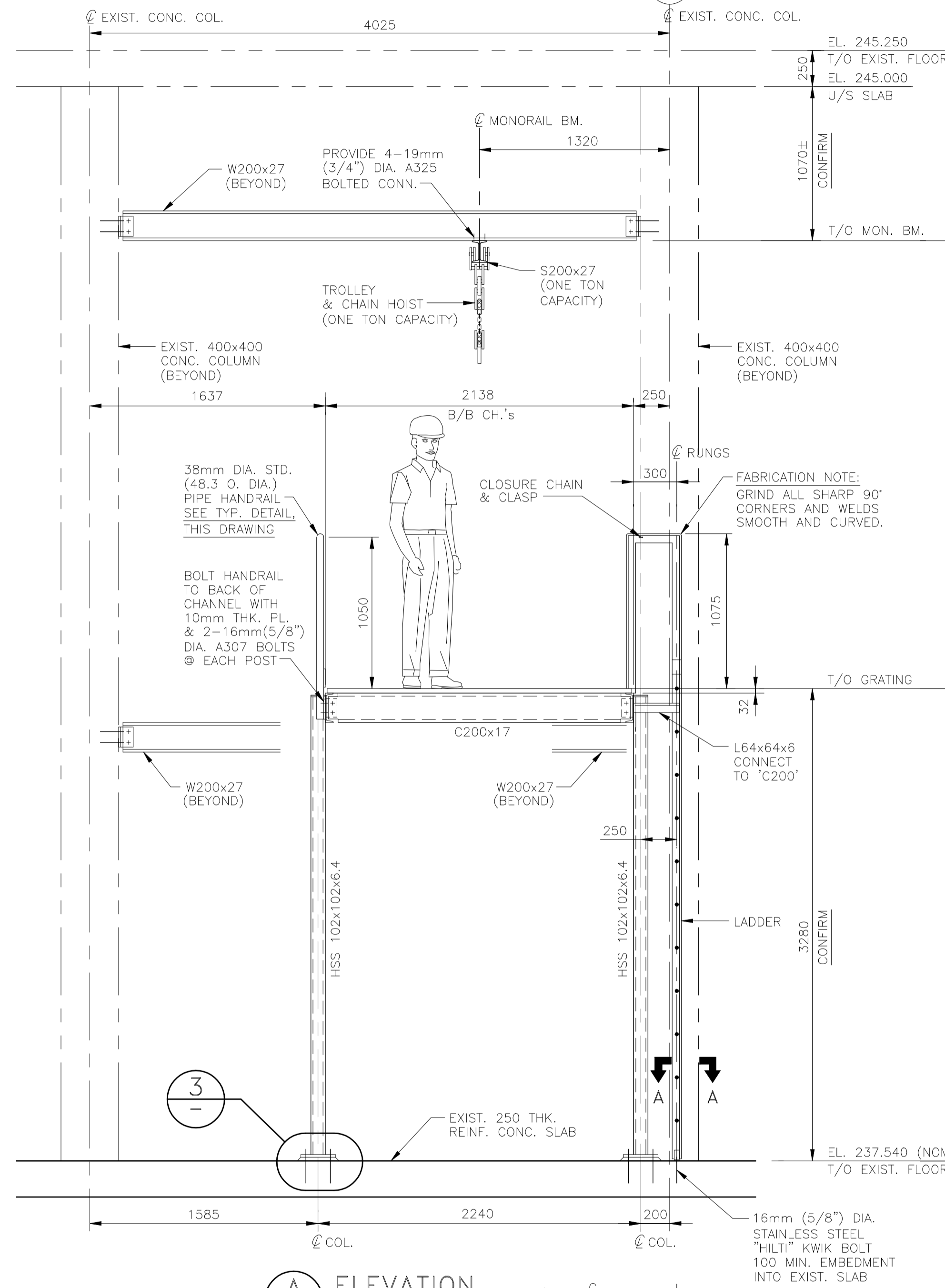
2 DETAIL
SCALE: 1:10



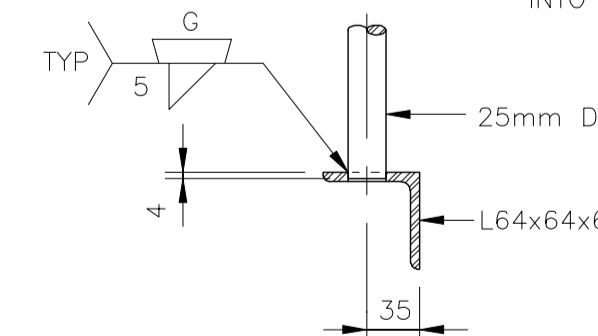
3 DETAIL
SCALE: 1:10



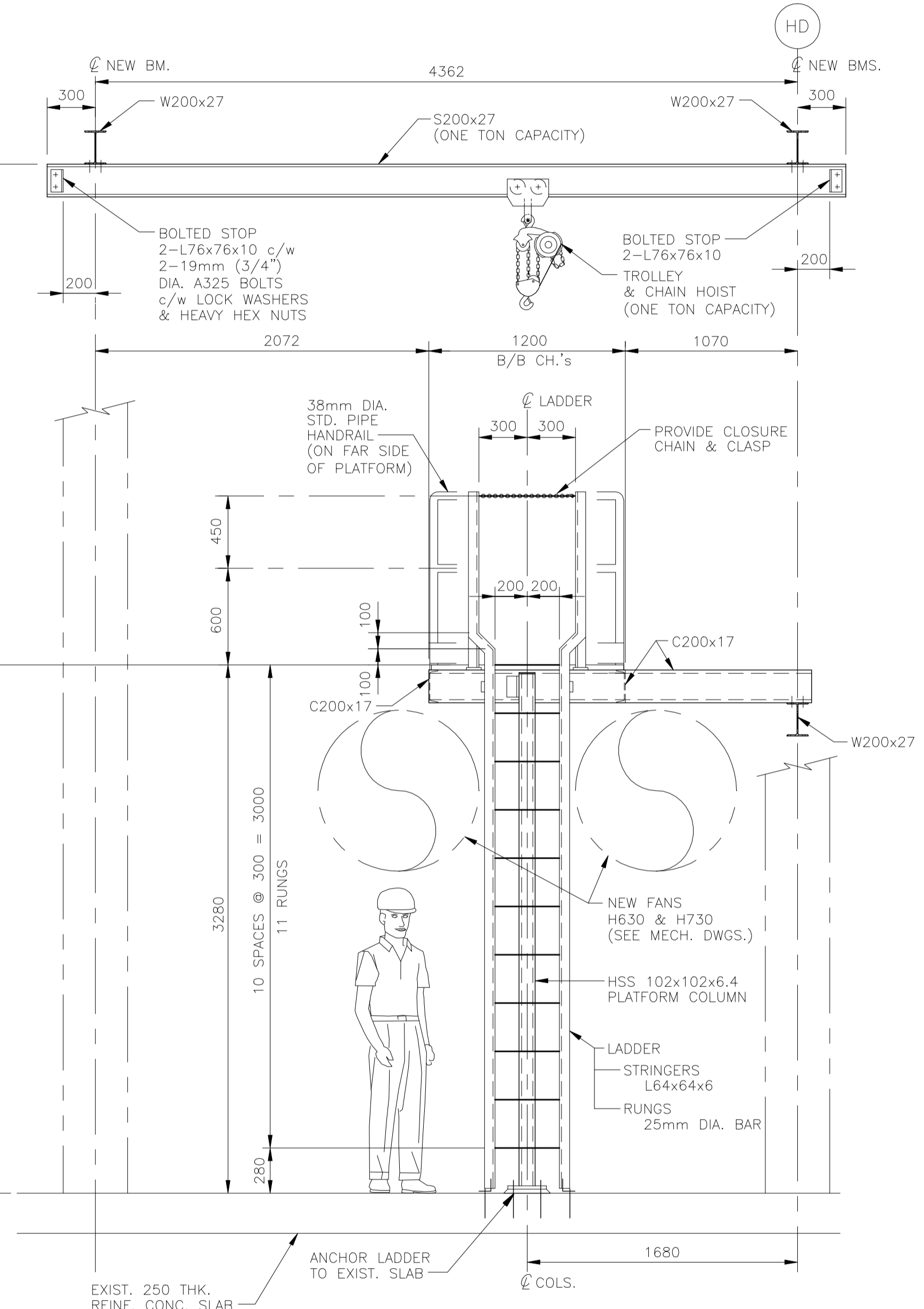
TYPICAL HANDRAIL DETAIL
SCALE: 1:25



A ELEVATION
SCALE: 1:25

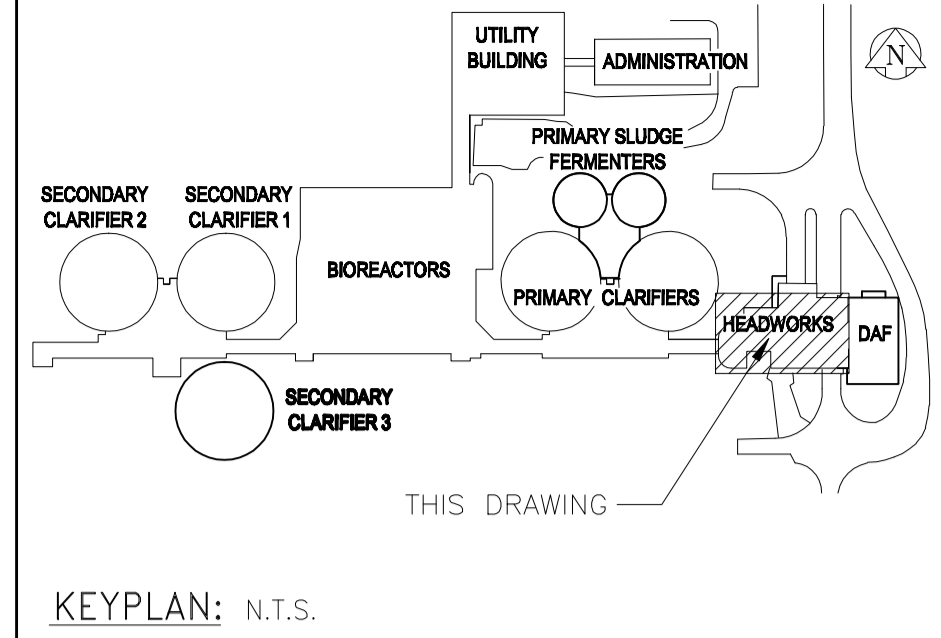
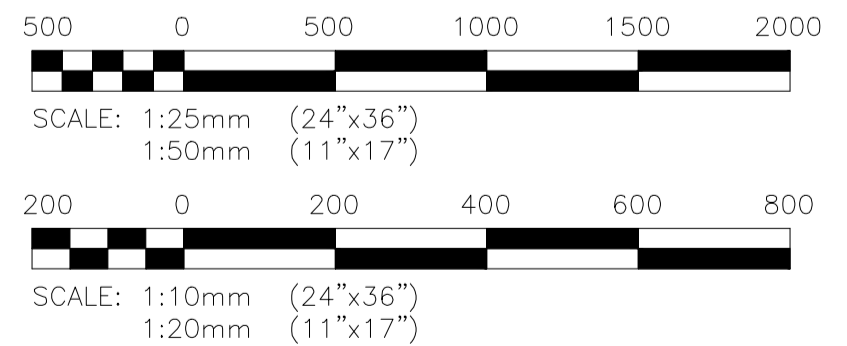
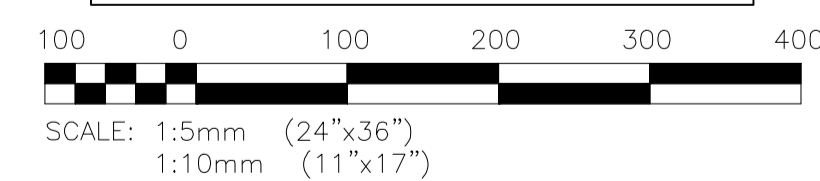


SECTION A-A
SCALE: 1:5



B ELEVATION
SCALE: 1:25

NOTE:
ALL MATERIAL ON THIS DWG.
IS TO BE GALVANIZED.



APEGN
Certificate of Authorization
KGS Group
No. 245 Date: 10/12/21

KGS GROUP
CONSULTING ENGINEERS

NO.	REVISIONS	DATE	BY
DO	ISSUED FOR TENDER	2010-12-21	RJL

FIELD BOOK #:		ALLIANCE Engineering Services Inc.	
DESIGNED BY	RJL	CHECKED BY	RJL
DRAWN BY	JF	APPROVED BY	
HOR. SCALE AS NOTED		RELEASED FOR CONSTRUCTION	
VERTICAL AS NOTED		DATE	2010-10-1

ENGINEER'S SEAL
PROVINCE OF MANITOBA
R.J. LONG
REGISTERED PROFESSIONAL ENGINEER
CONSULTANT DRAWING NO.
HS2.3

THE CITY OF WINNIPEG
WATER AND WASTE DEPARTMENT
2010 HVAC REPLACEMENT
AND ASSOCIATED WORKS
WEWPC
AREA H – HEADWORKS
LOWER PROCESS LEVEL-ACCESS PLATFORM

SHEET 1 OF 1
CITY DRAWING NUMBER
1-01036-S0003-001