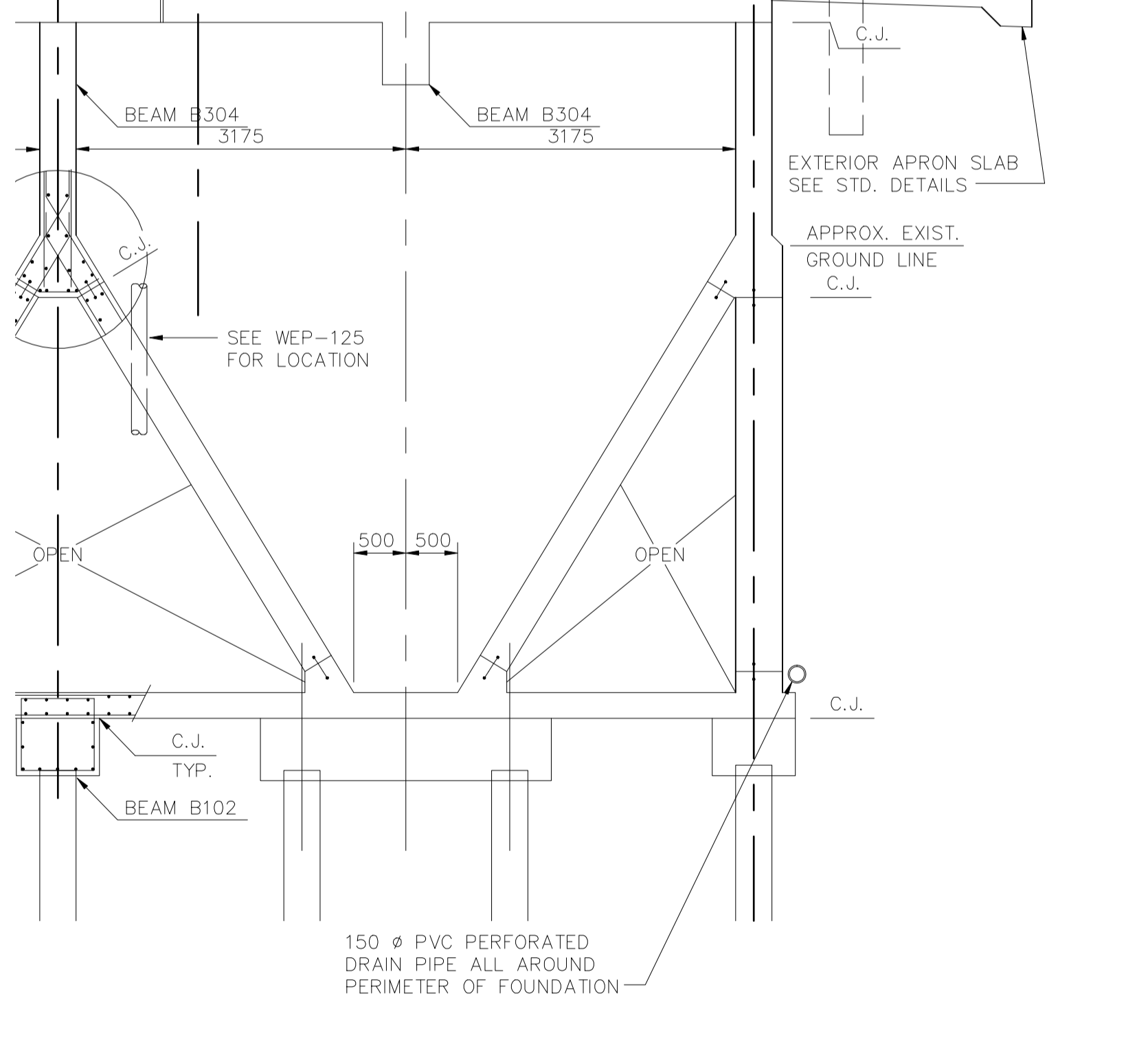
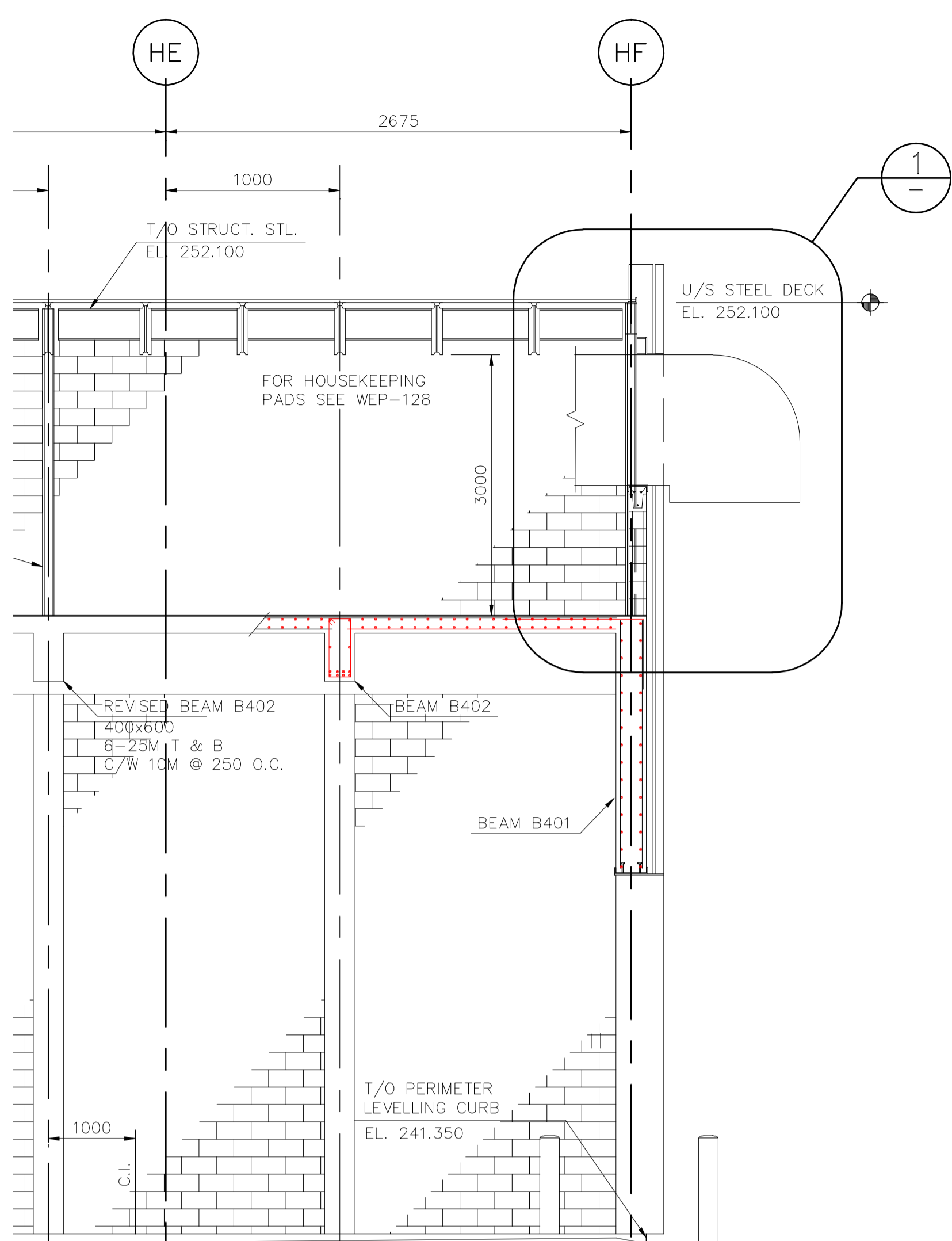
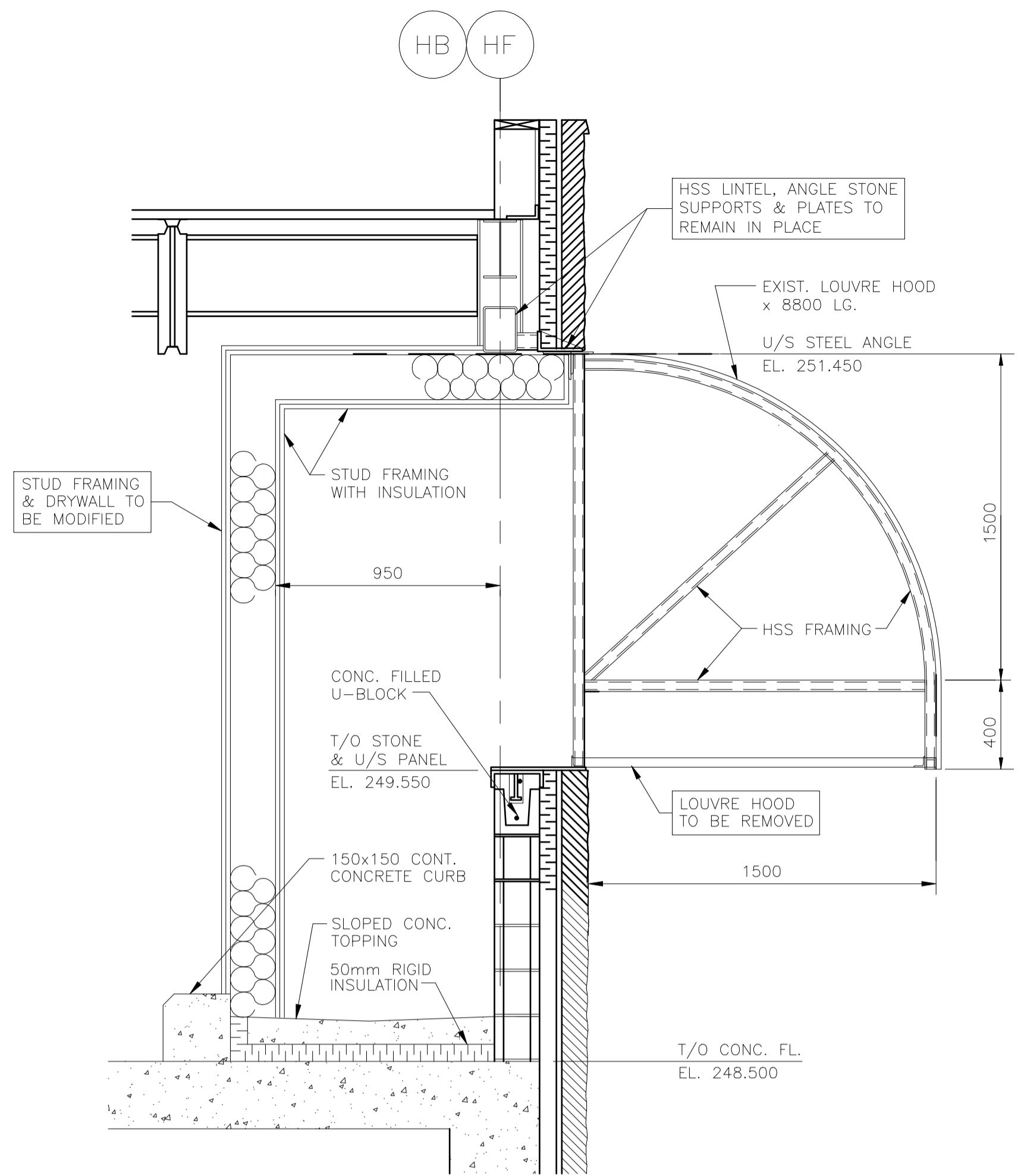


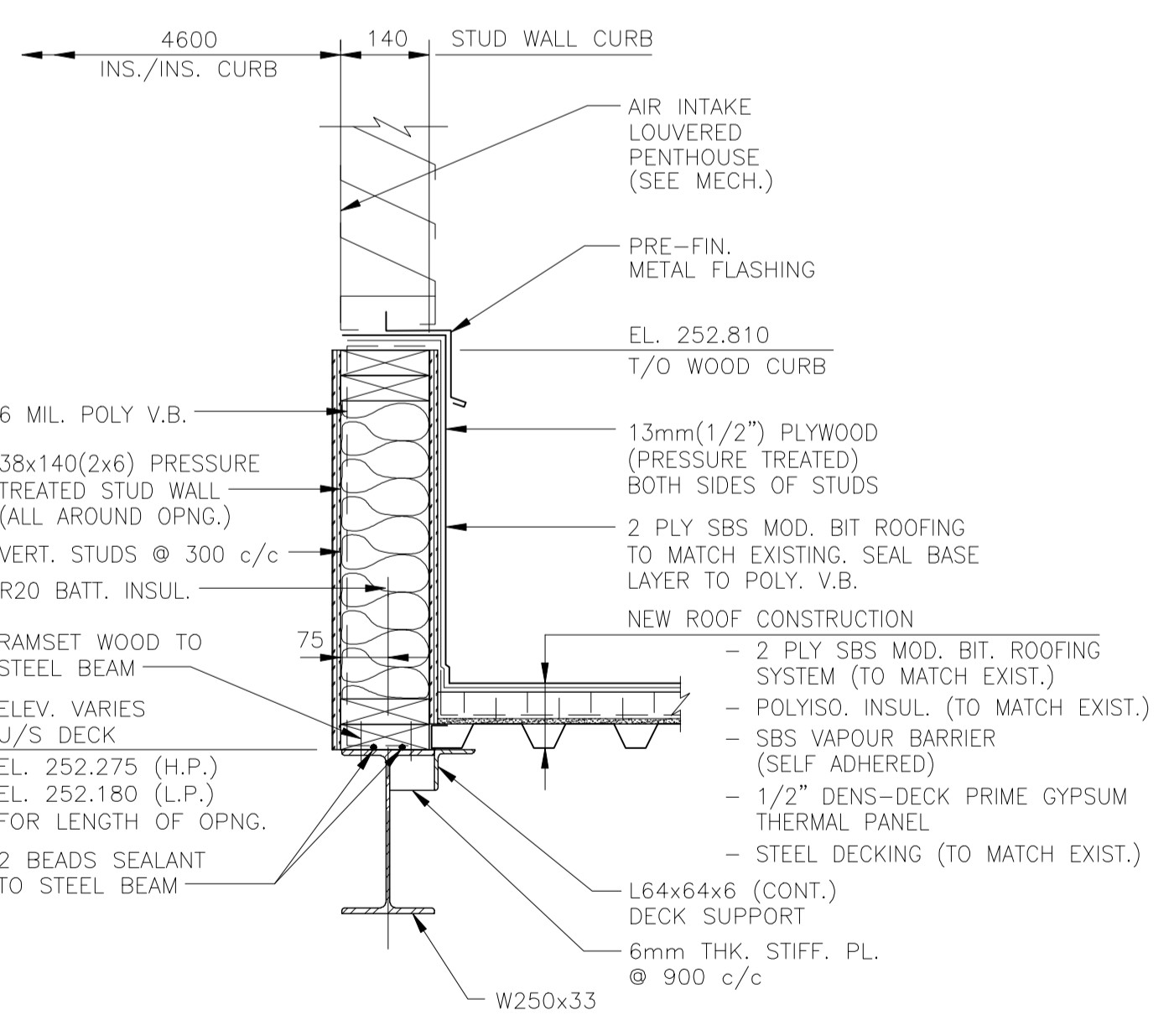
CW-9-M564-1



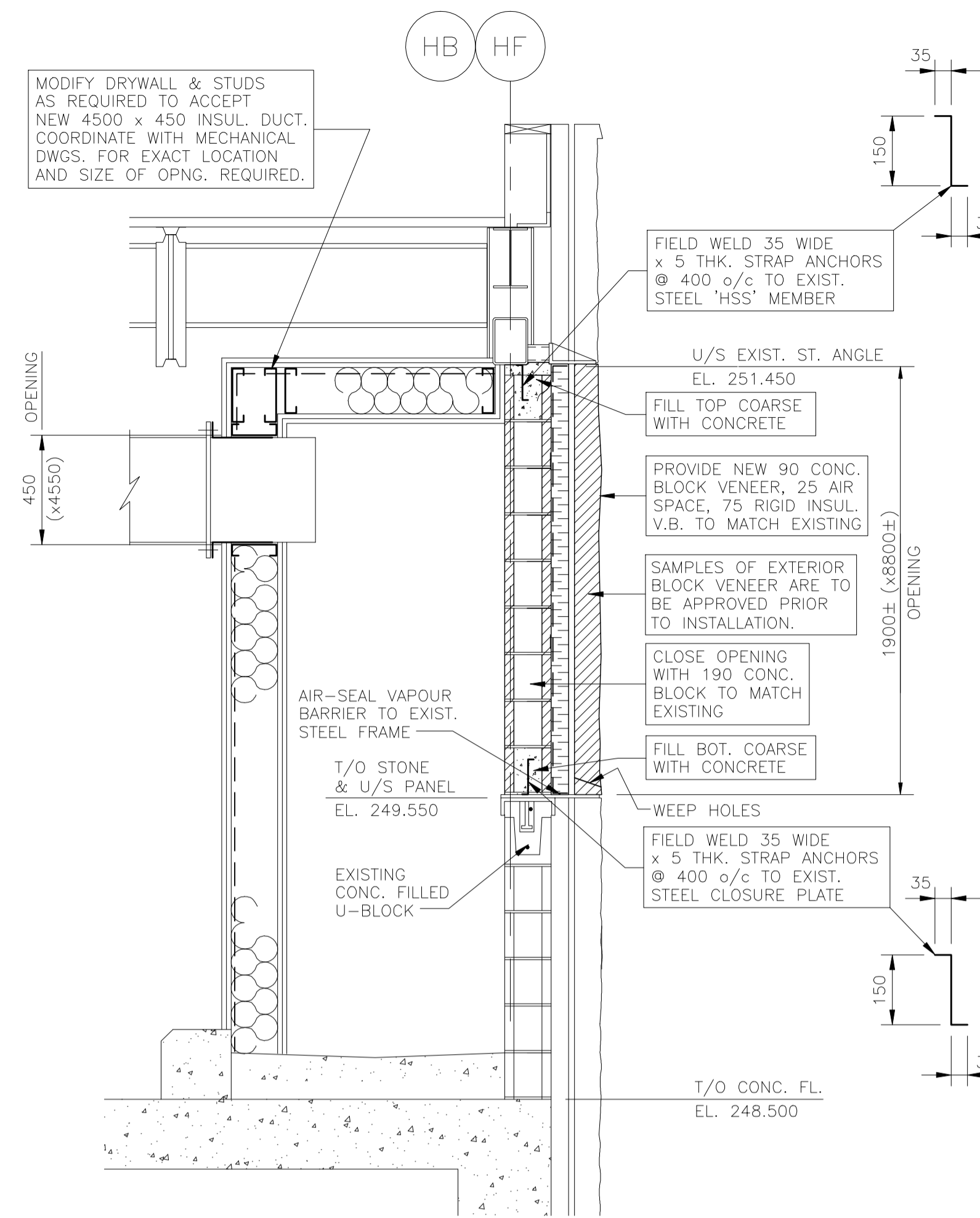
A PART BUILDING SECTION
 HS2.1 SCALE: 1:50



EXISTING



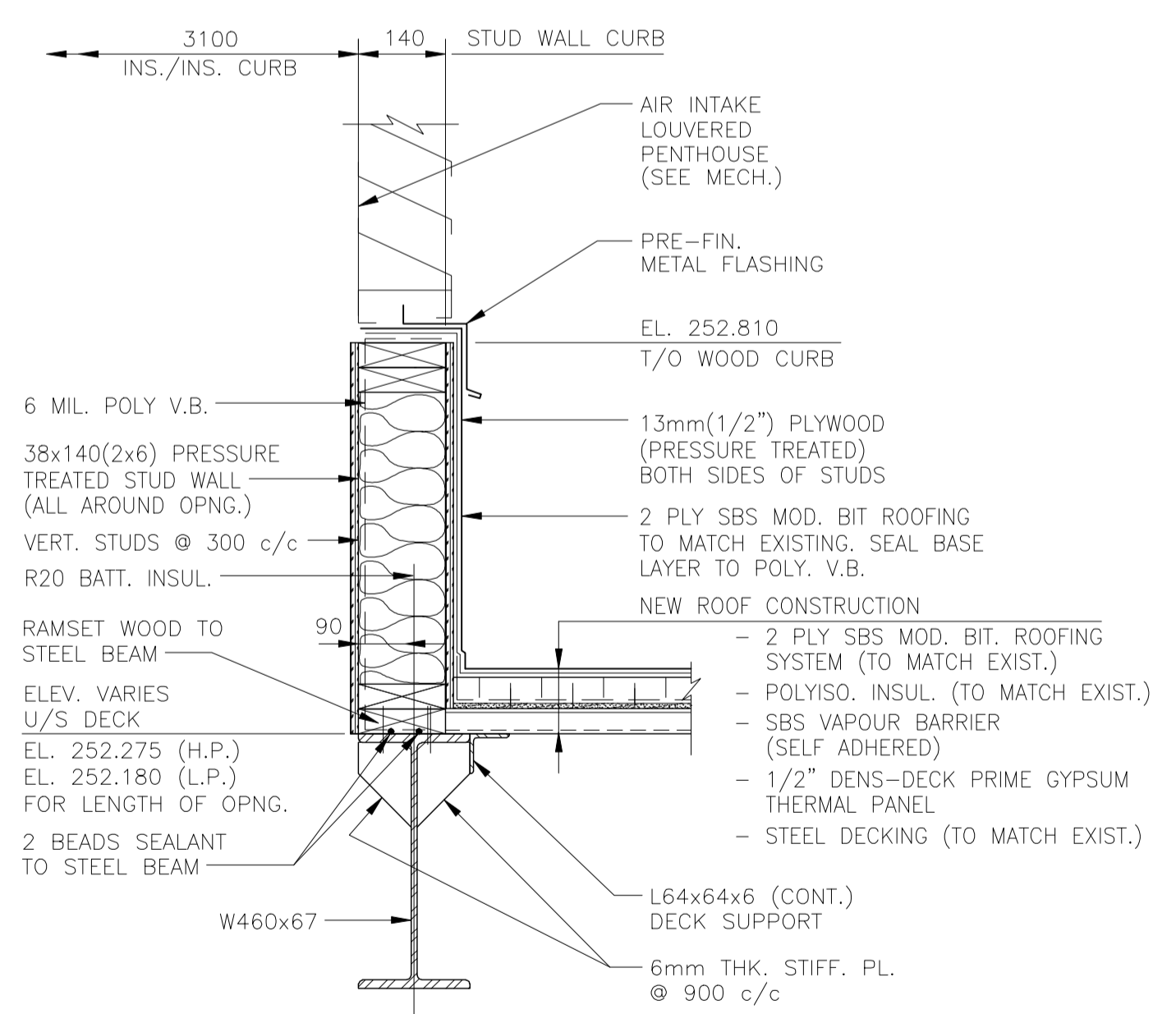
B SECTION
 HS2.1 SCALE: 1:10



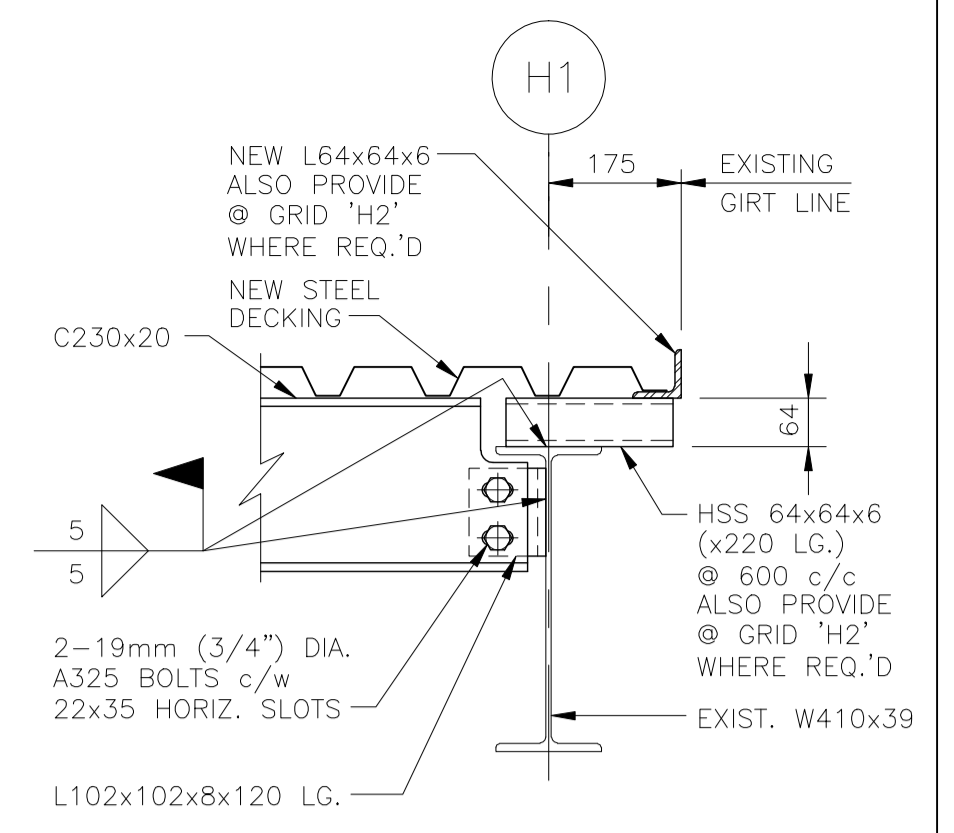
MODIFIED

1 DETAIL
 SCALE: 1:20

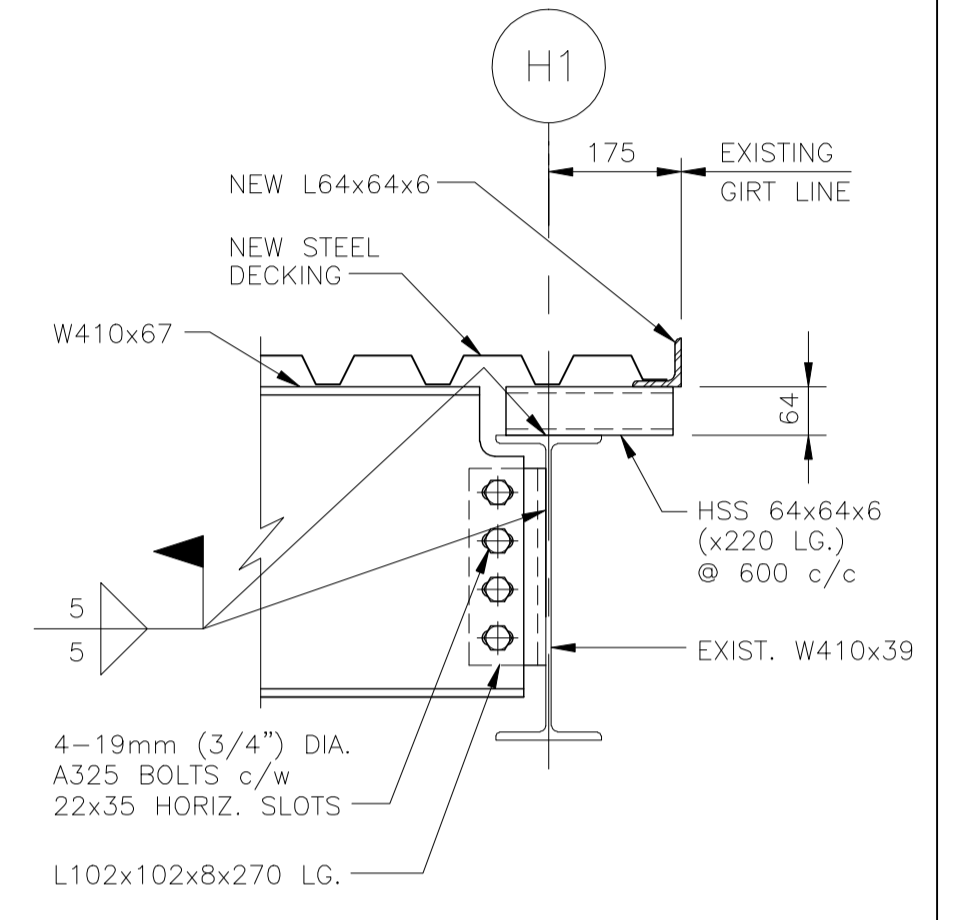
GRID LINE "HF" SHOWN, GRID LINE "HB" IS SIMILAR. FOR LOCATION IN PLAN SEE DWG. "HS2.1".



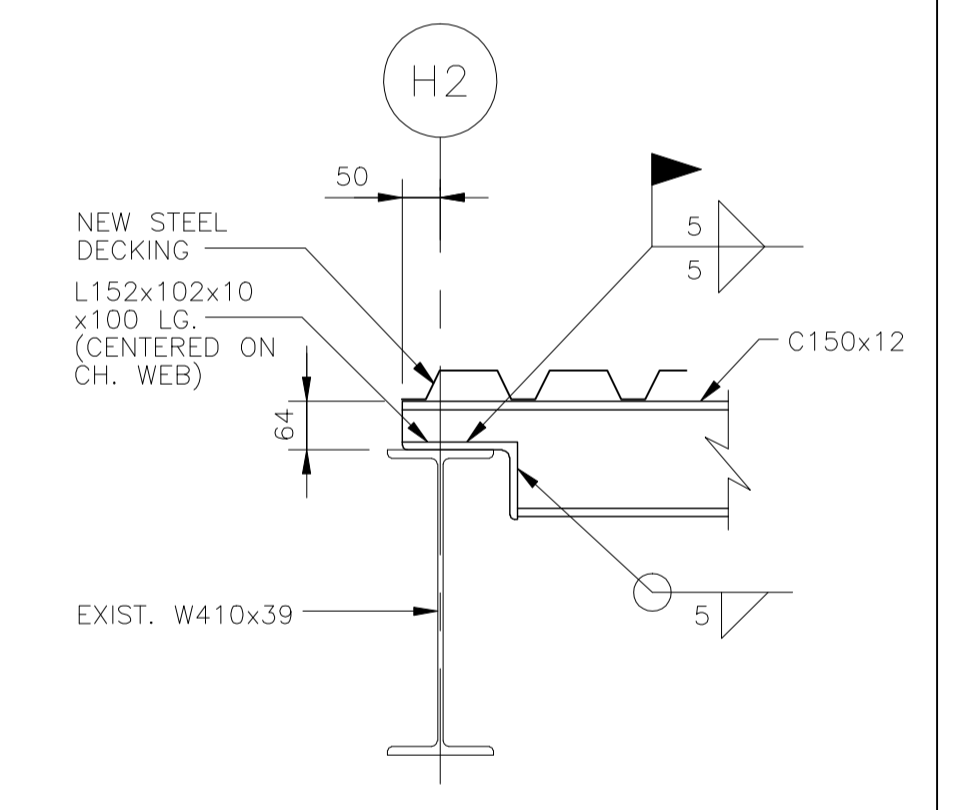
C SECTION
 HS2.1 SCALE: 1:10



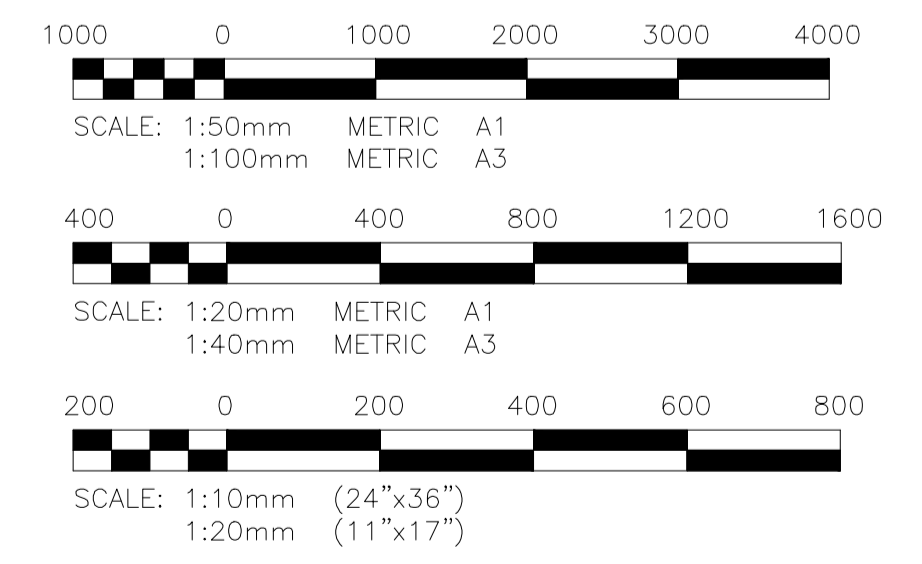
D SECTION
 HS2.1 SCALE: 1:10



E SECTION
 HS2.1 SCALE: 1:10



F SECTION
 HS2.1 SCALE: 1:10



APEGN
 Certificate of Authorization
 KGS Group
 No. 245 Date: 10/12/21

KGS GROUP
 CONSULTING ENGINEERS

B.M. ELEV.	FIELD BOOK #	DESIGNED BY	CHECKED BY
		RJL	RJL
		DRAWN BY	APPROVED BY
		MBB & JF	
		HOR. SCALE AS NOTED	RELEASED FOR CONSTRUCTION
		VERTICAL AS NOTED	
00	ISSUED FOR TENDER	2010-12-21	RJL
NO.	REVISIONS	DATE	BY
		DATE	2010-07-22

ENGINEER'S SEAL
 PROVINCE OF MANITOBA
R.J. LONG
 REGISTERED PROFESSIONAL ENGINEER
 CONSULTANT DRAWING NO.
 HS2.2

THE CITY OF WINNIPEG
 WATER AND WASTE DEPARTMENT
 2010 HVAC REPLACEMENT
 AND ASSOCIATED WORKS
WEWPCC
 AREA H - HEADWORKS
 BUILDING SECTIONS AND DETAILS

SHEET 1 OF 1
 CITY DRAWING NUMBER
 1-01036-S0002-001

P:\Projects\2010\10-0754-03\Draw\Struct\NEW&REV Dwg-Sept30-10-Start\1-01036-S0002-001-R00.dwg - Tab: HS2.2 Plotted By: Shildbrand 12/17/2010 [Fri 4:11pm]