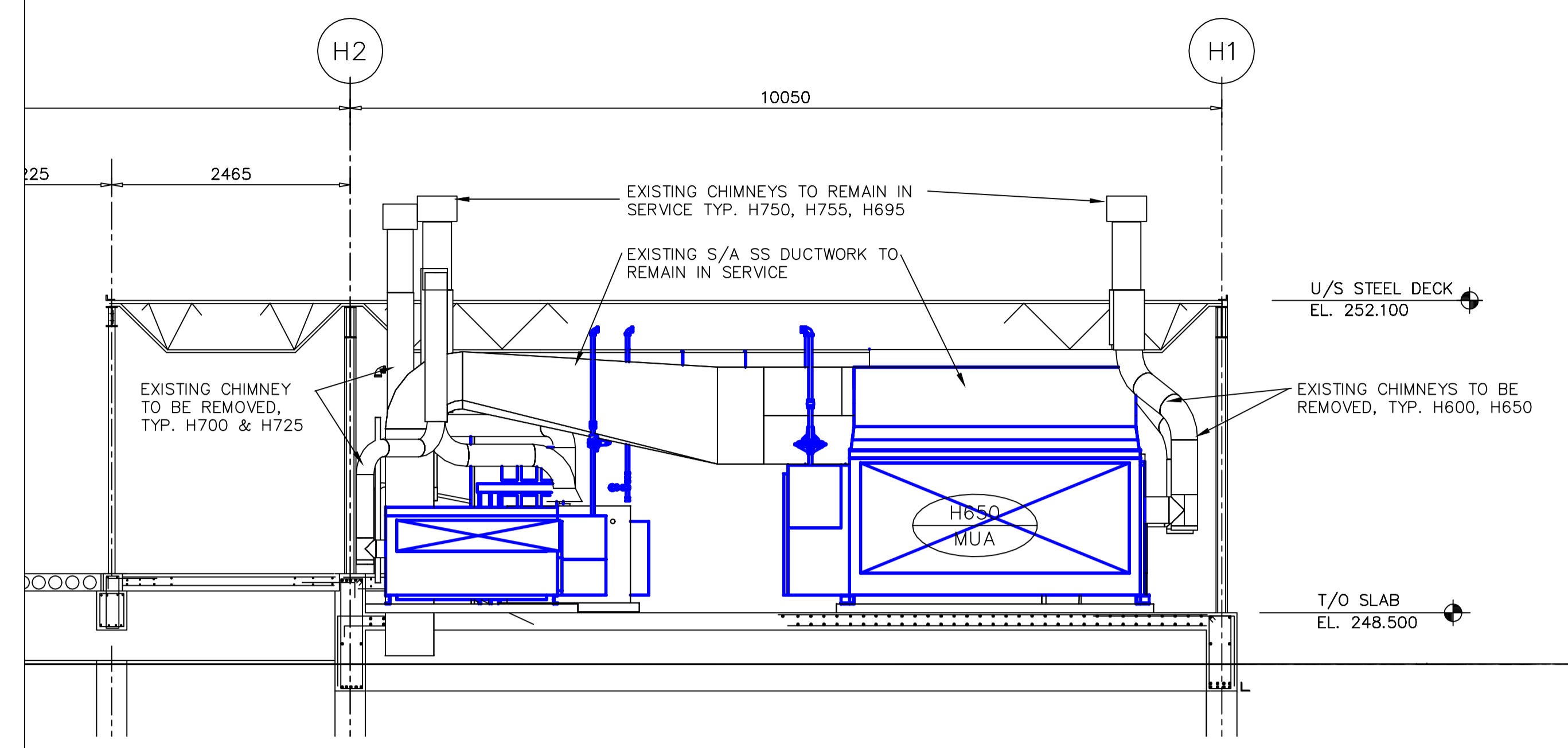
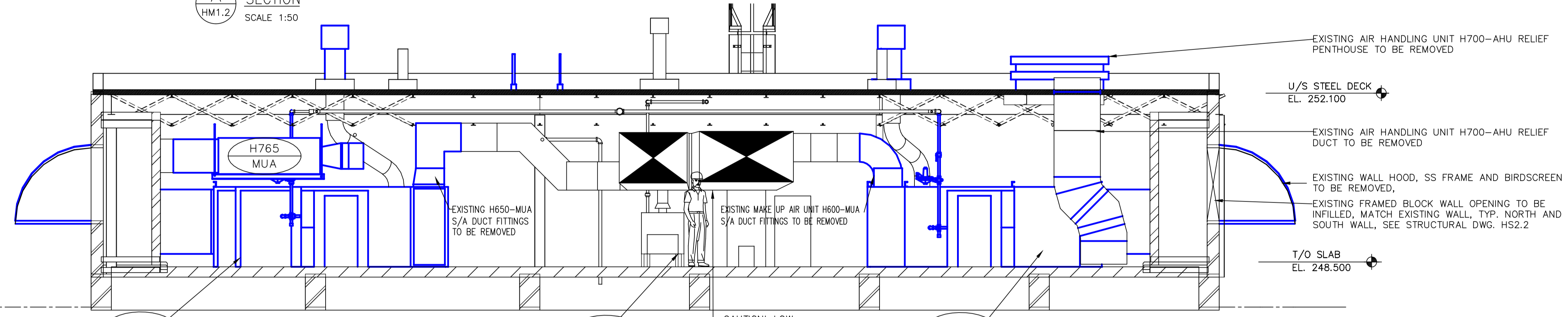


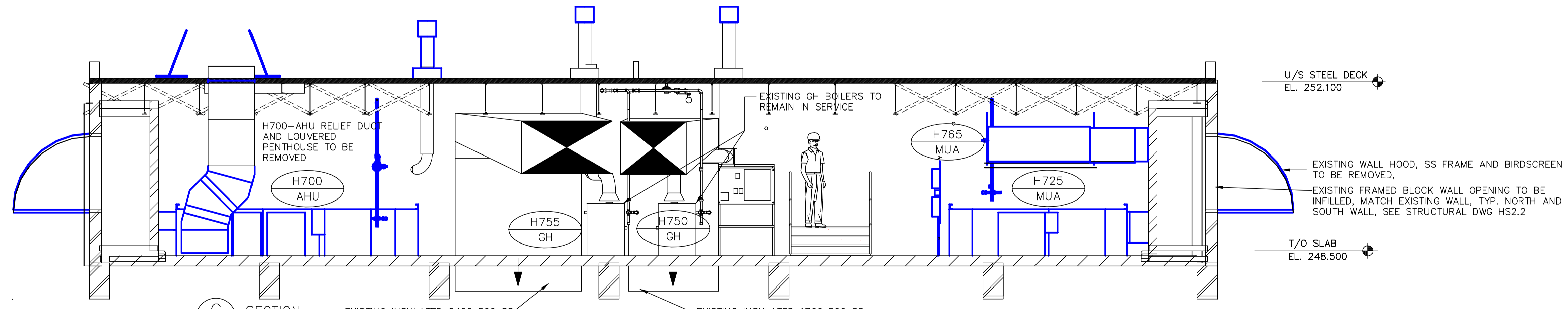
KEY PLAN



SECTION A
HM1.2
SCALE 1:50



SECTION B
HM1.2
SCALE 1:50



SECTION C
HM1.2
SCALE 1:50

- GENERAL NOTES**
- PERFORM ALL WORK IN ACCORDANCE WITH ALL APPLICABLE CODES, STANDARDS AND PROVINCIAL MECHANICAL ENGINEERING & INSPECTIONS BRANCH REQUIREMENTS.
 - COORDINATE WORKS WITH OTHER SUB-TRADES. REFER TO SPECIFIC DETAILS FOR CUTTING AND SEALING PENETRATIONS THROUGH OPENINGS & FIRE SEPARATIONS.
 - REFER TO TECHNICAL SPECIFICATIONS FOR EQUIPMENT AND MATERIAL SPECIFICATIONS AND INSTALLATION CONSTRUCTION AND PHASING REQUIREMENTS.
 - INSULATE DUCTWORK WHERE INDICATED AND SPECIFIED.
 - SUPPORT ALL DUCTWORK TO MEET CODE REQUIREMENTS & ESTABLISHED INDUSTRY TRADE PRACTICES, (SMACNA, ASHRAE).
 - INVESTIGATE SITE PRIOR TO CONSTRUCTION TO CONFIRM ALL DIMENSIONS AND INSTALLATION REQ'S.
 - PERFORM ALL CUTTING & PATCHING NECESSARY FOR ANY REQUIRED OPENINGS.
 - PROVIDE TAB TO ENSURE AIR DISTRIBUTION TO VOLUMES INDICATED.
 - NOT ALL EQUIPMENT/PIPING, ETC. IS SHOWN.

APEGM
Certificate of Authorization
Alliance Engineering Services Inc.
No.2906 Date: _____

S.M. ELEV.	236.160	FIELD BOOK #:	
POSTED TO LBIS			
00	ISSUED FOR TENDER	2010-12-21	AFG
NO.	REVISIONS	DATE	BY

ALLIANCE
Engineering Services Inc.

DESIGNED BY	JC/AS	CHECKED BY	AFG
DRAWN BY	AS	APPROVED BY	
HOR. SCALE	1:50	RELEASED FOR CONSTRUCTION	
VERTICAL	1:50	DATE	2010-06-23

ENGINEER'S SEAL
PROVINCE OF MANITOBA
A.F.G. GOSSEN
REGISTERED PROFESSIONAL ENGINEER
CONSULTANT DRAWING NO.
HM1.4

THE CITY OF WINNIPEG
WATER AND WASTE DEPARTMENT

2010 HVAC REPLACEMENT AND ASSOCIATED WORKS
WEWPCC
AREA H - HEADWORKS
MECHANICAL ROOM EXISTING CONDITIONS - SECTIONS

SHEET 1 OF 1
CITY DRAWING NUMBER
1-0103G-M0004-001