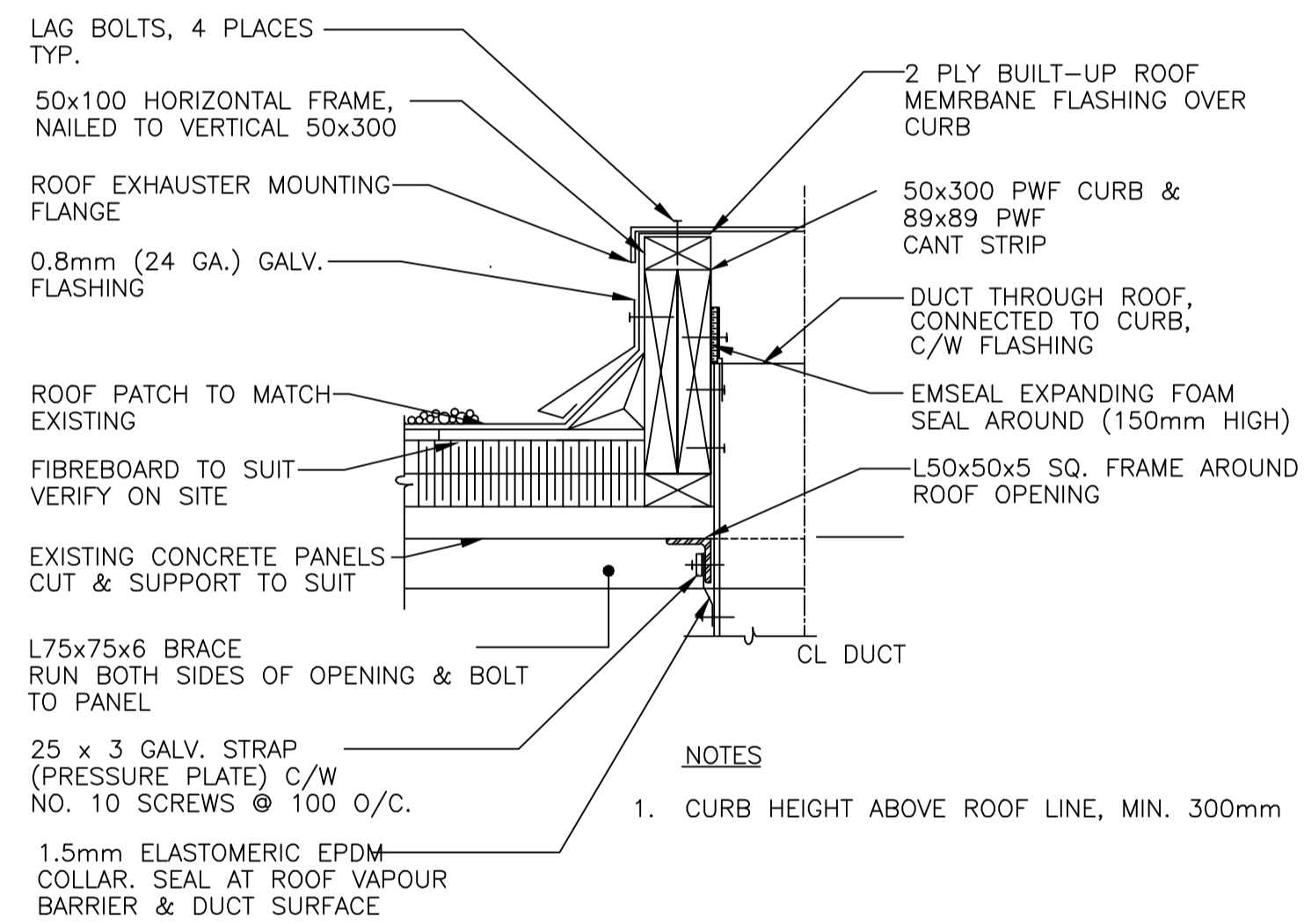
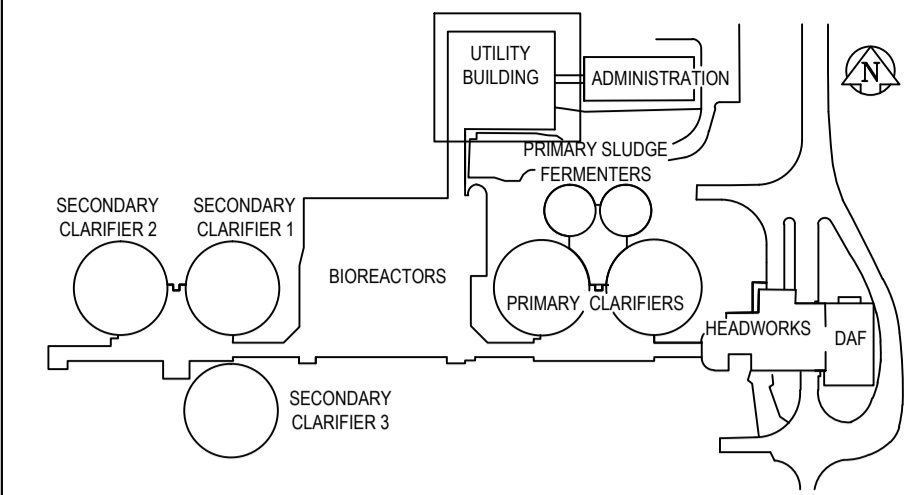


**V**  
020 CURBED FLOOR OPENING CAP-OFF  
NTS



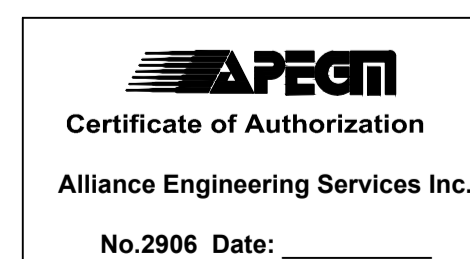
**V**  
022 CONCRETE PANEL ROOF CURB  
NTS



KEY PLAN

**GENERAL NOTES**

- PERFORM ALL WORK IN ACCORDANCE WITH ALL APPLICABLE CODES, STANDARDS AND PROVINCIAL MECHANICAL ENGINEERING & INSPECTIONS BRANCH REQUIREMENTS.
- COORDINATE WORKS WITH OTHER SUB-TRADES. REFER TO SPECIFIC DETAILS FOR CUTTING AND SEALING PENETRATIONS THROUGH OPENINGS & FIRE SEPARATIONS.
- REFER TO TECHNICAL SPECIFICATIONS FOR EQUIPMENT AND MATERIAL SPECIFICATIONS AND INSTALLATION REQUIREMENTS.
- INSULATE DUCTWORK WHERE INDICATED AND SPECIFIED.
- SUPPORT ALL DUCTWORK TO MEET CODE REQUIREMENTS & ESTABLISHED INDUSTRY TRADE PRACTICES, (SMACNA, ASHRAE).
- INVESTIGATE SITE PRIOR TO CONSTRUCTION TO CONFIRM ALL DIMENSIONS AND INSTALLATION REQ'S.
- PERFORM ALL CUTTING & PATCHING NECESSARY FOR ANY REQUIRED OPENINGS.
- PROVIDE TAB TO ENSURE AIR DISTRIBUTION TO VOLUMES INDICATED.



B.M. ELEV.	236.160	FIELD BOOK #:	
POSTED TO LBIS			
DESIGNED BY	AFG/AS	CHECKED BY	
DRAWN BY	AS	APPROVED BY	
HOR. SCALE	NTS	RELEASED FOR CONSTRUCTION	
VERTICAL			
00 ISSUED FOR TENDER	2010-12-21	AFG	
NO. REVISIONS	DATE	BY	DATE
			2010-08-23

**ALLIANCE**  
Engineering Services Inc.

ENGINEER'S SEAL



CONSULTANT DRAWING NO.  
LM2.4



**THE CITY OF WINNIPEG**  
WATER AND WASTE DEPARTMENT

2010 HVAC REPLACEMENT  
AND ASSOCIATED WORKS  
WEWPCC  
GENERAL AREA  
DETAILS - SHEET 4 OF 6

SHEET 1 OF 1

CITY DRAWING NUMBER

1-0103A-M0008-004