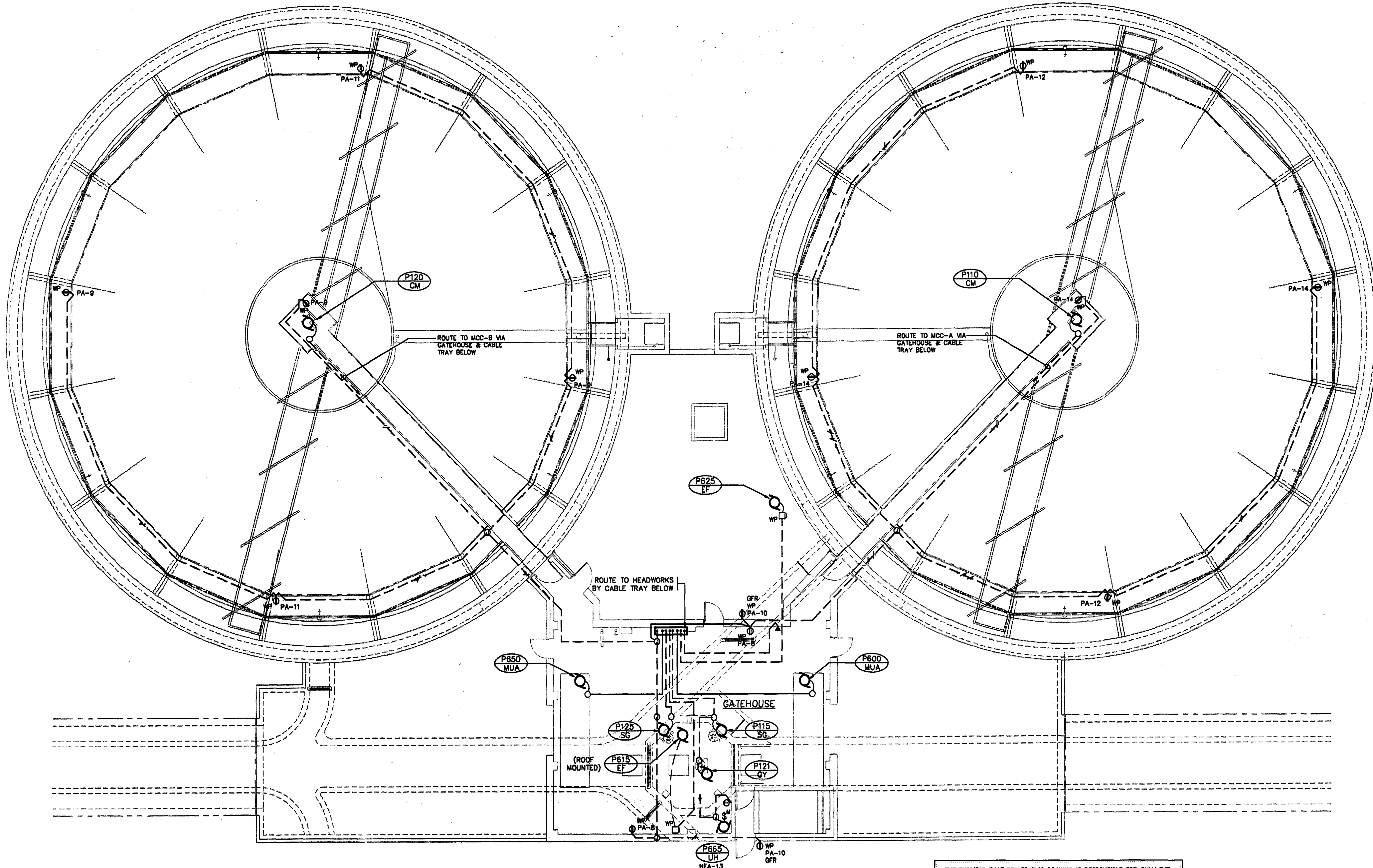


- NOTES:
1. UTILIZE PVC JACKETED TECK CABLE FOR ALL POWER WIRING. WIRING FOR LIGHTING, RECEPTACLES AND COMMUNICATIONS TO BE IN RIGID ALUMINUM CONDUIT.
  2. ALL CONDUIT TO BE 18mmØ CONDUIT, UNLESS OTHERWISE NOTED.



THE ENGINEER THAT SEALED THIS DRAWING IS RESPONSIBLE FOR ONLY THE AS-CONSTRUCTED CHANGES ON THIS DRAWING.  
 THE ORIGINAL DESIGN WAS THE RESPONSIBILITY OF THE DESIGN ENGINEER WHO SEALED THE ISSUED FOR TENDER DRAWINGS IN 1991.

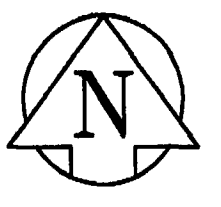
REID, CROWTHER & PARTNERS LIMITED  
 WINNIPEG

**AS CONSTRUCTED**

SIG: *[Signature]* DATE: *NOV 29 94*

detail symbol

A detail number  
 B drawing where detail shown  
 C cross reference to drawing where detail taken



B.M.	69-006		
ELEV.	237.636 m		
NO.	1	AS BUILT	93/11 DE
NO.	0	ISSUED FOR TENDER	
NO.		REVISIONS	DATE BY DATE 91-06-06

**Reid Crowther**

DESIGNED BY	LT	CHECKED BY	DJS
DRAWN BY	EJS	APPROVED BY	
HOR. SCALE:	1:100	RELEASED FOR CONSTRUCTION:	
VERTICAL:		DATE	

ENGINEER'S SEAL

CONSULTANT DRAWING NO.  
60910 - PE3

**THE CITY OF WINNIPEG**  
 WORKS AND OPERATIONS DIVISION  
 WATERWORKS WASTE AND DISPOSAL DEPT.

WEST END WATER POLLUTION CONTROL CENTRE  
 AREA P - PRIMARY CLARIFIERS

PRIMARY PUMPHOUSE UPPER LEVEL  
 ELECTRICAL POWER LAYOUT

CITY DRAWING NUMBER  
 SHEET OF  
**WEP-197**

*File # WS*