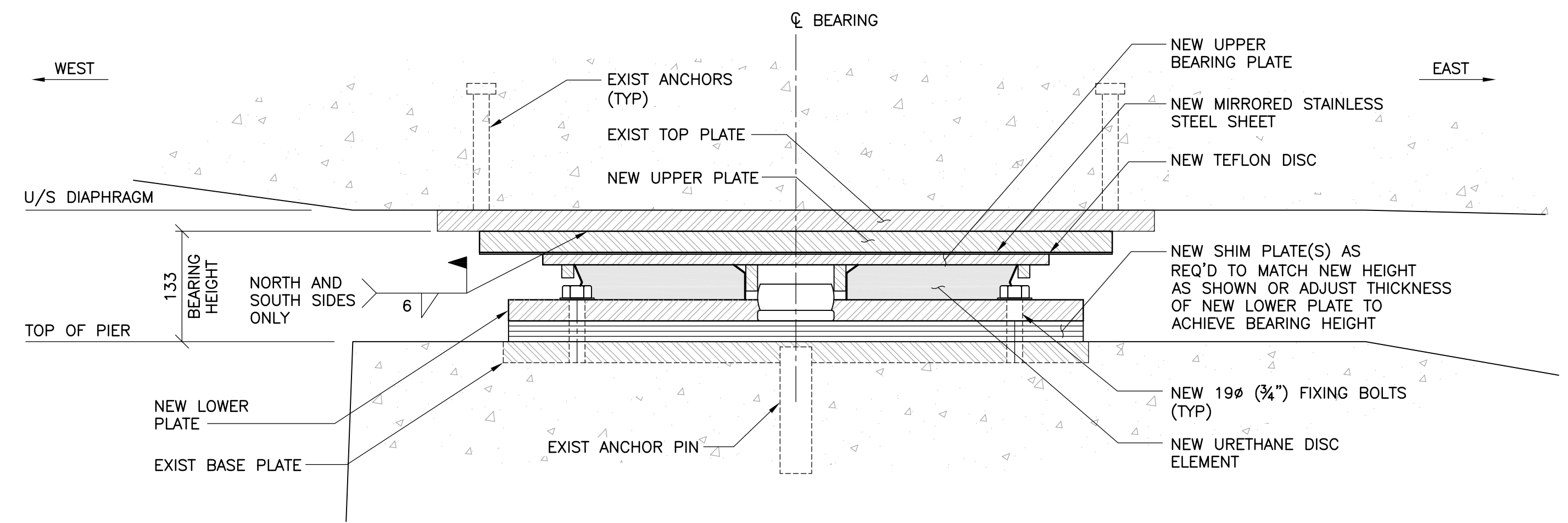
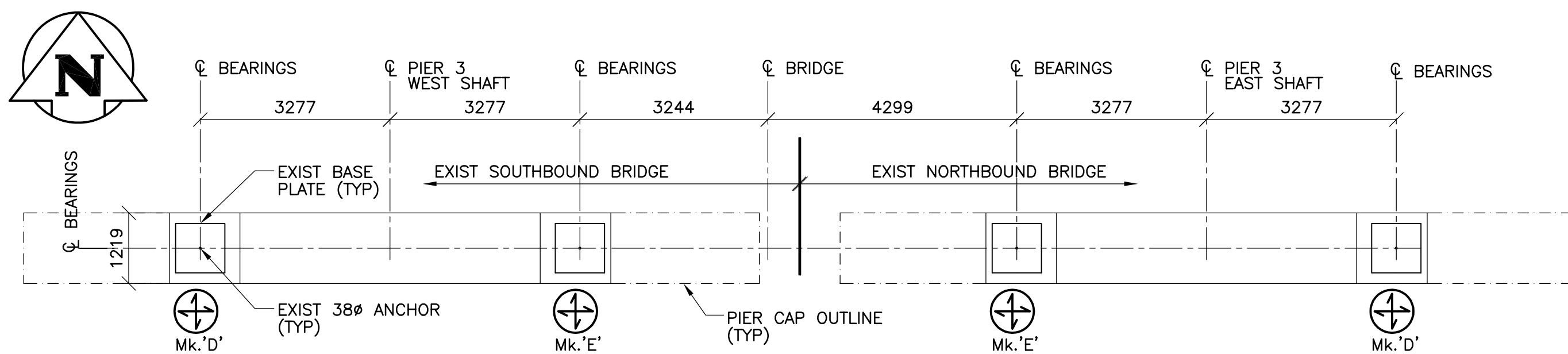


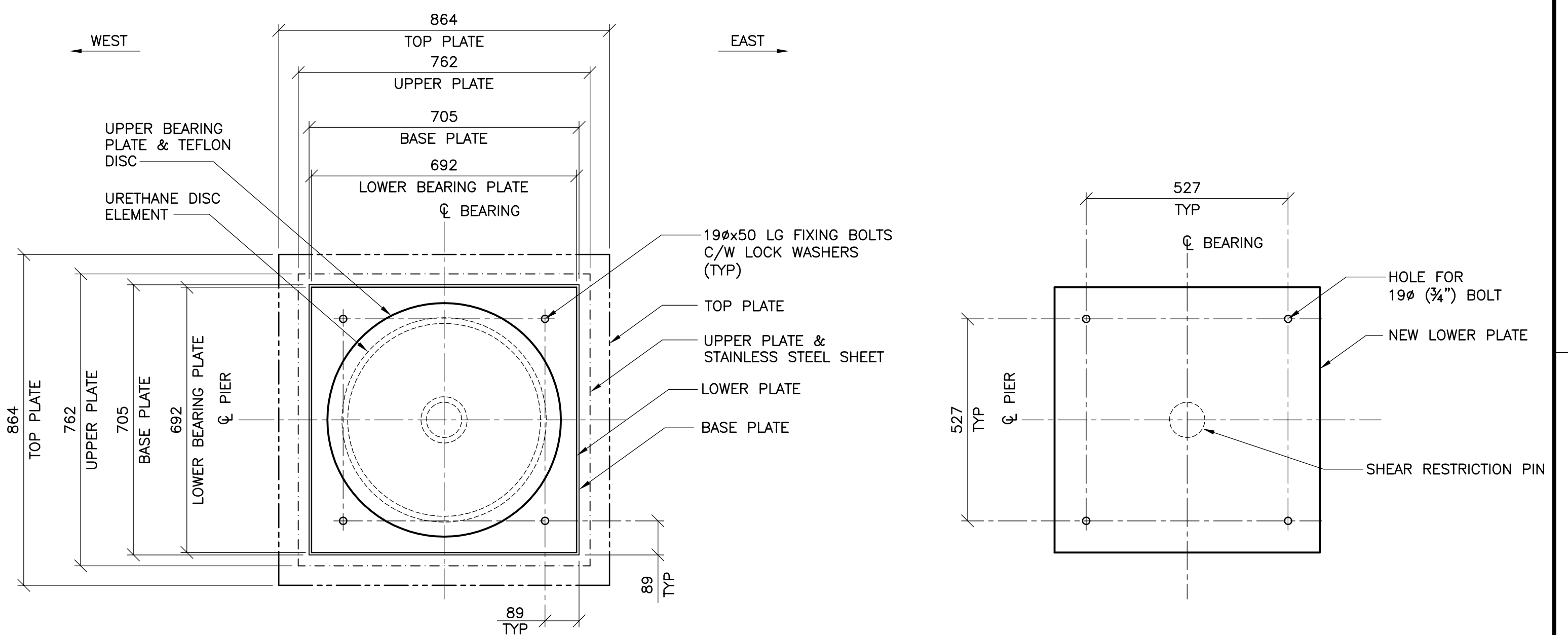
1 BEARING LAYOUT - PIER 1
 1 : 75
 - SHOWING BASE PLATE ON TOP OF PIER
 - MULTI DIRECTIONAL BEARING



6 NEW MULTI DIRECTIONAL DISC BEARING - SECTION
 1 : 5
 - U/S OF DIAPHRAGM TO BE RAISED 25mm
 - EXIST TOP PLATE AND BASE PLATE TO BE SHOT BLASTED AND COATED WITH 6 mil (0.152mm) OF ZINC METALIZING

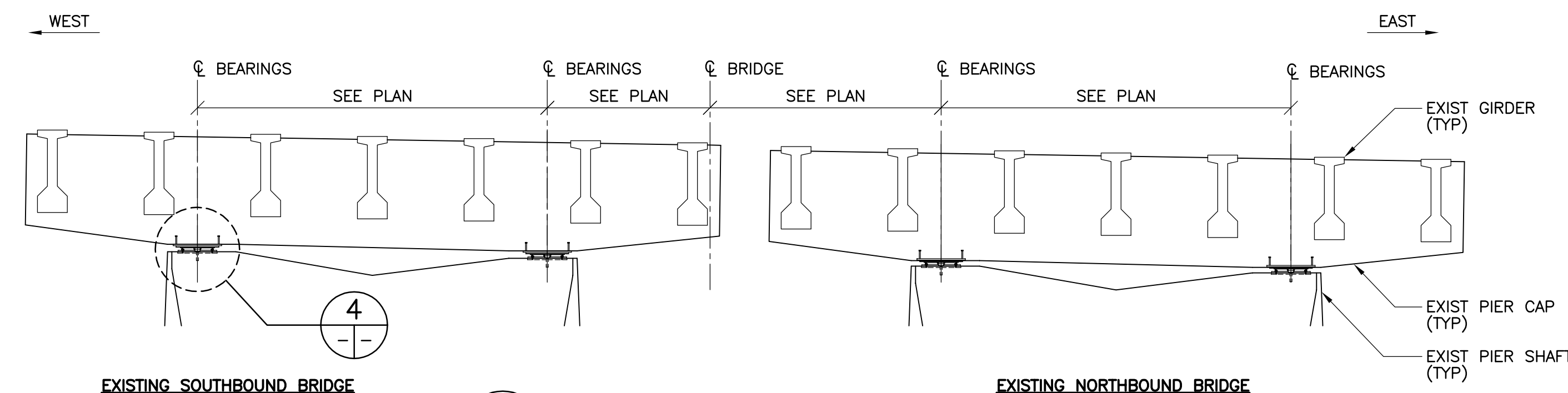


2 BEARING LAYOUT - PIER 3
 1 : 75
 - SHOWING BASE PLATE ON TOP OF PIER
 - MULTI DIRECTIONAL BEARING

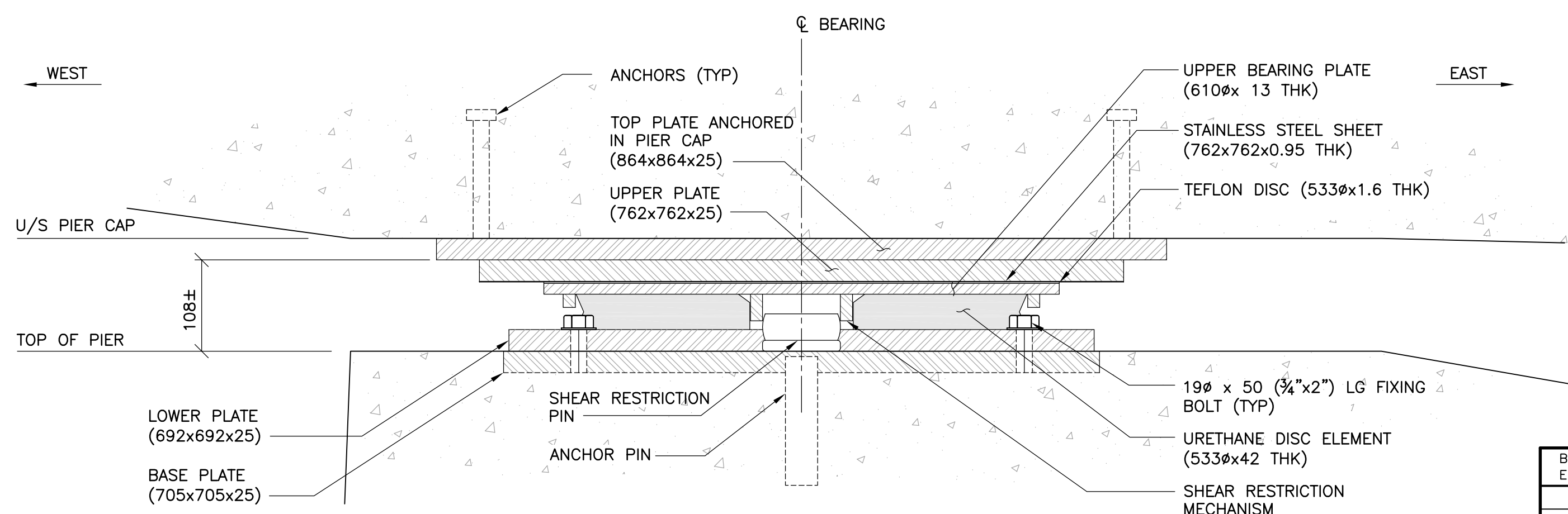


5 EXIST MULTI DIRECTIONAL DISC BEARING - PLAN
 1 : 10

7 BOLT PATTERN FOR NEW LOWER PLATE
 1 : 10
 - BEARING SUPPLIER TO UTILIZE EXISTING BOLT PATTERN FOR NEW FIXING BOLTS AND BEARING DESIGN
 - OVERSIZE NEW FIXING BOLT HOLES BY 2mm IN NEW LOWER PLATE



3 ELEVATION PIER 1 & 3
 1 : 75
 - LOOKING NORTH

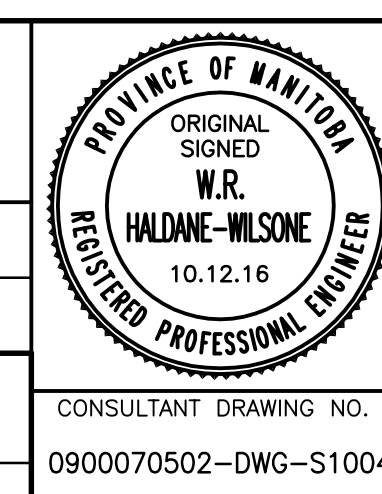


4 EXIST MULTI DIRECTIONAL DISC BEARING - SECTION
 1 : 5



B.M. ELEV.	F.B.	DATE	BY
00	ISSUED FOR TENDER	10.12.16	RHW
	NO. REVISIONS	DATE	BY

WARDROP ATETRA TECH COMPANY	
DESIGNED BY: R.H.W.	CHECKED BY: R.H.W.
DRAWN BY: G.I.	APPROVED BY: C.D.S.
HOR. SCALE: AS NOTED	RELEASED FOR CONSTRUCTION DATE: 10.12.17
VERTICAL: AS NOTED	ORIGINAL SIGNED: 10.12.17
	DATE: 10.12.13



THE CITY OF WINNIPEG PUBLIC WORKS DEPARTMENT ENGINEERING DIVISION		CITY DRAWING NUMBER B109-11-004
OSBORNE STREET BRIDGE SUPPLY, FABRICATION, & DELIVERY OF BEARINGS		SHEET 4 OF 5
PIER 1 AND 3 - BEARING DETAILS		4