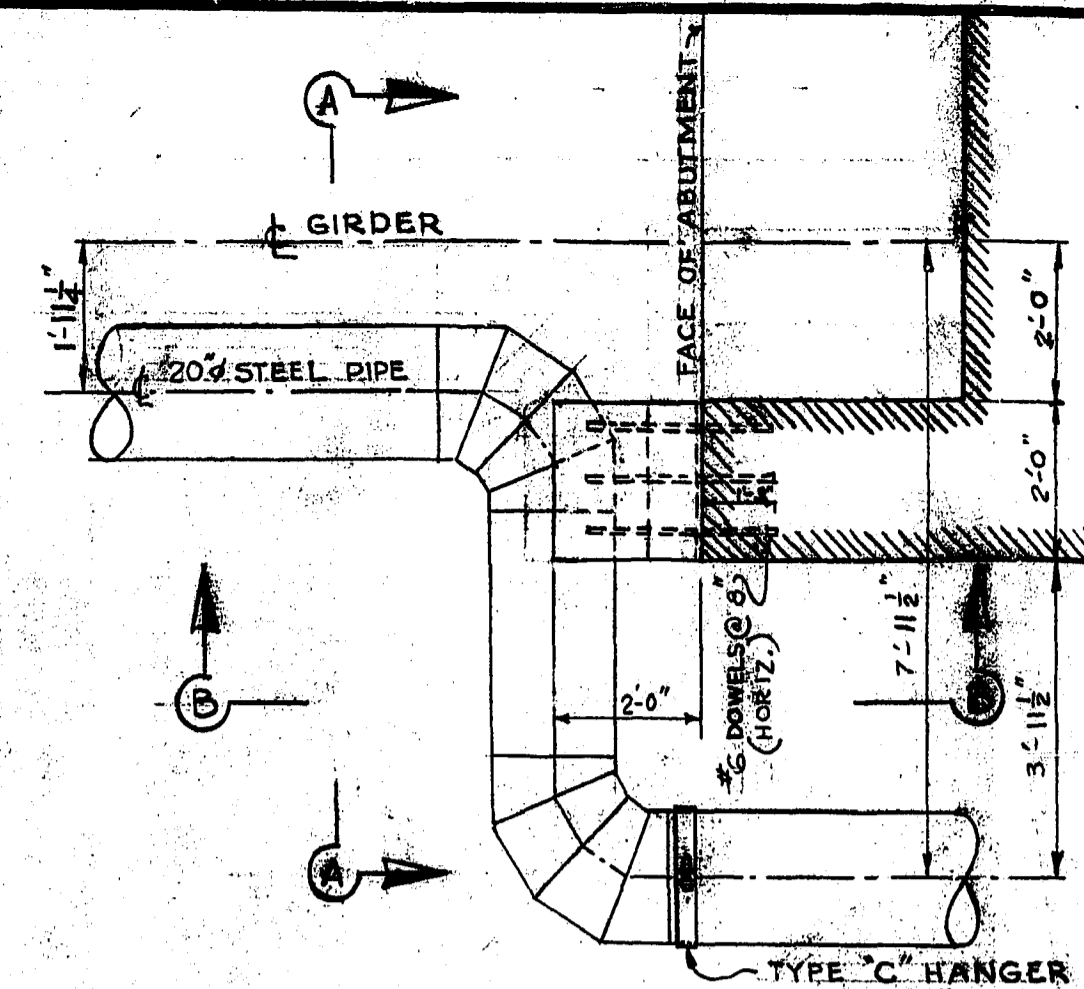
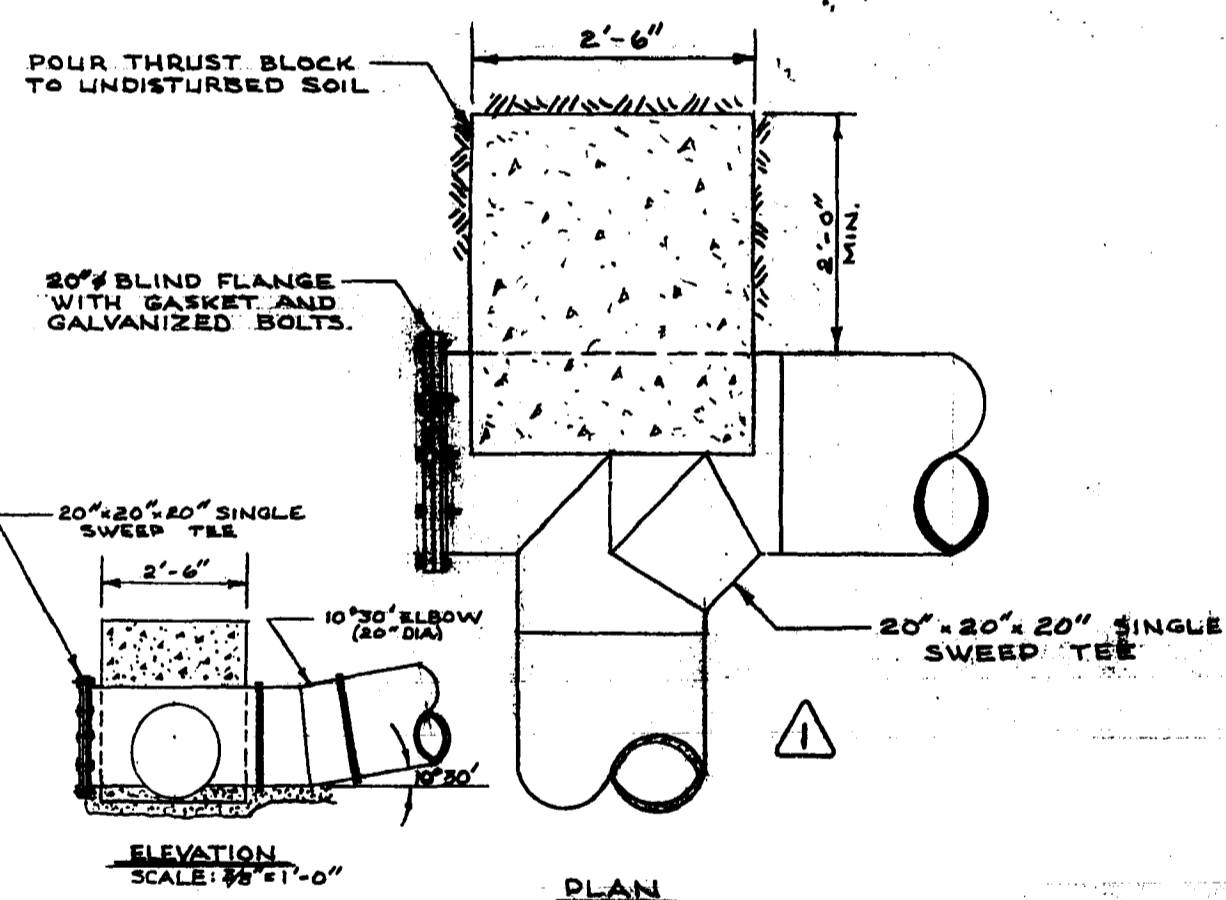


REFER TO DWG. NO. 411
THRUST BLOCK AT STA. 8+79.7

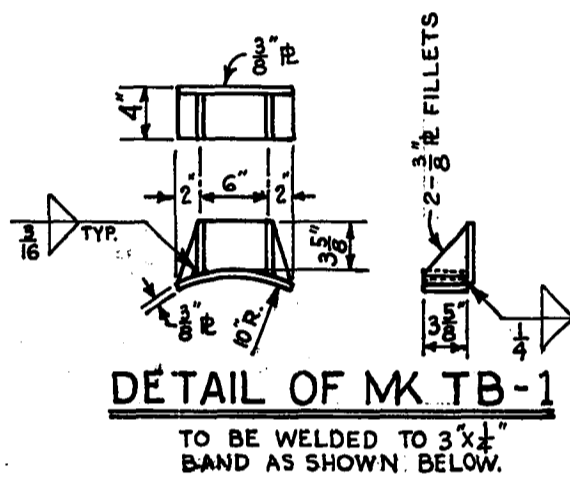
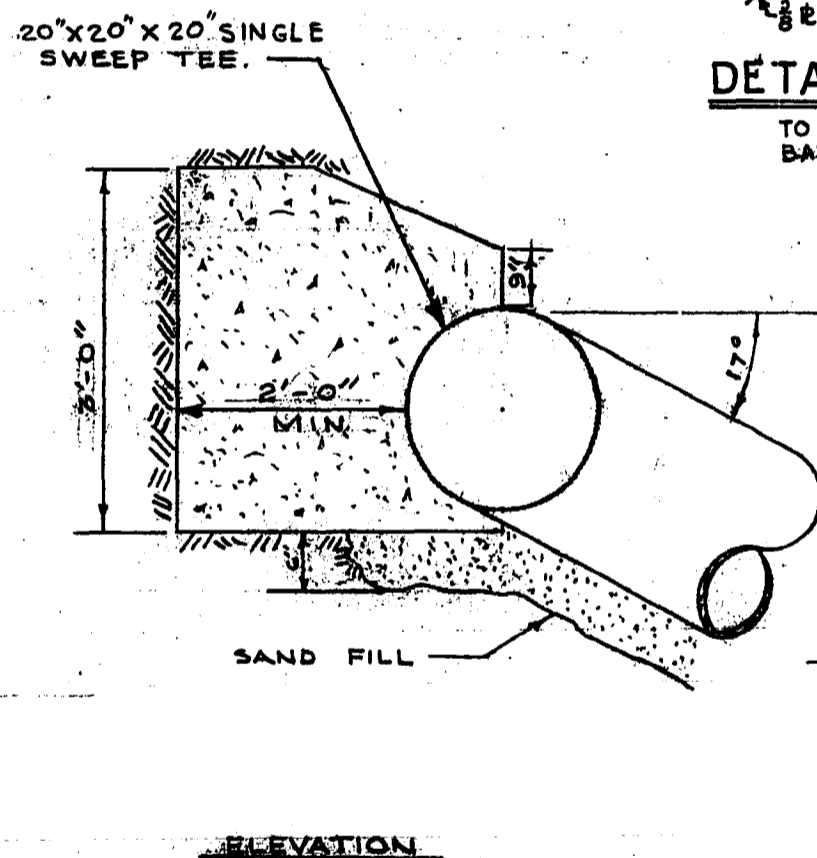


PLAN OF PIPING AT FACE OF ST. BONIFACE ABUTMENT

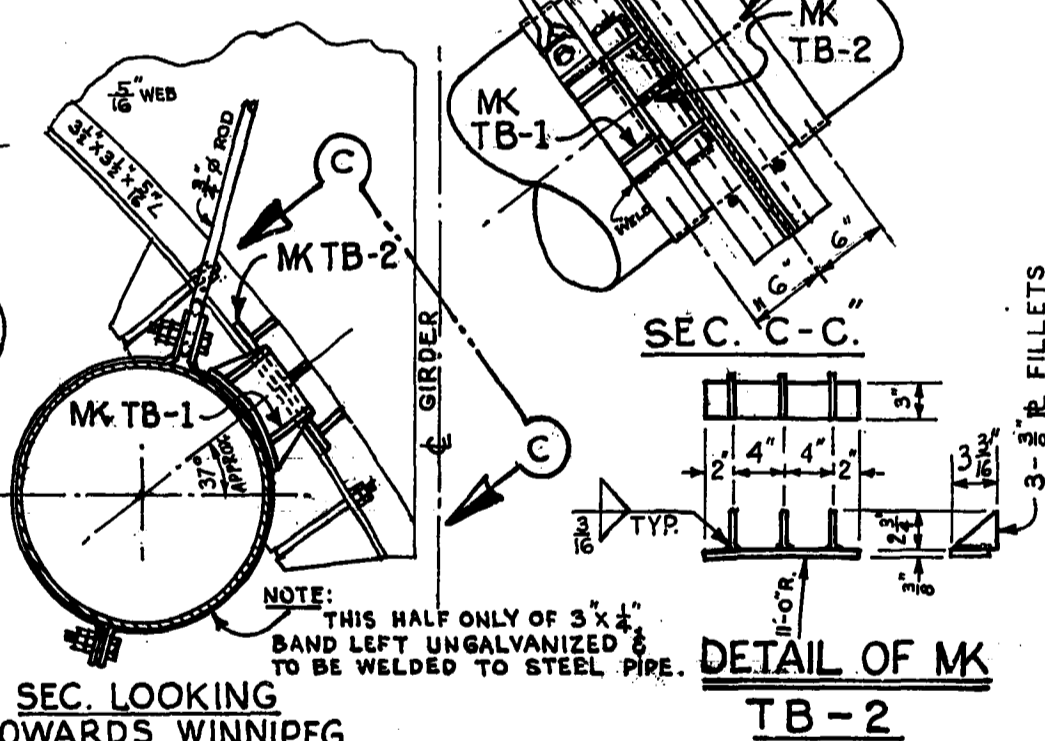
REFER TO DWG. NO. 411
THRUST BLOCK AT STA. 7+19.5
SCALE: 3/4" = 1'-0"



REFER TO DWG. NO. 411
THRUST BLOCK & DETAIL AT STA. 8+49.9
SCALE: 3/4" = 1'-0"



DETAIL OF MK TB-1
TO BE WELDED TO 3x1/2 BAND AS SHOWN BELOW.

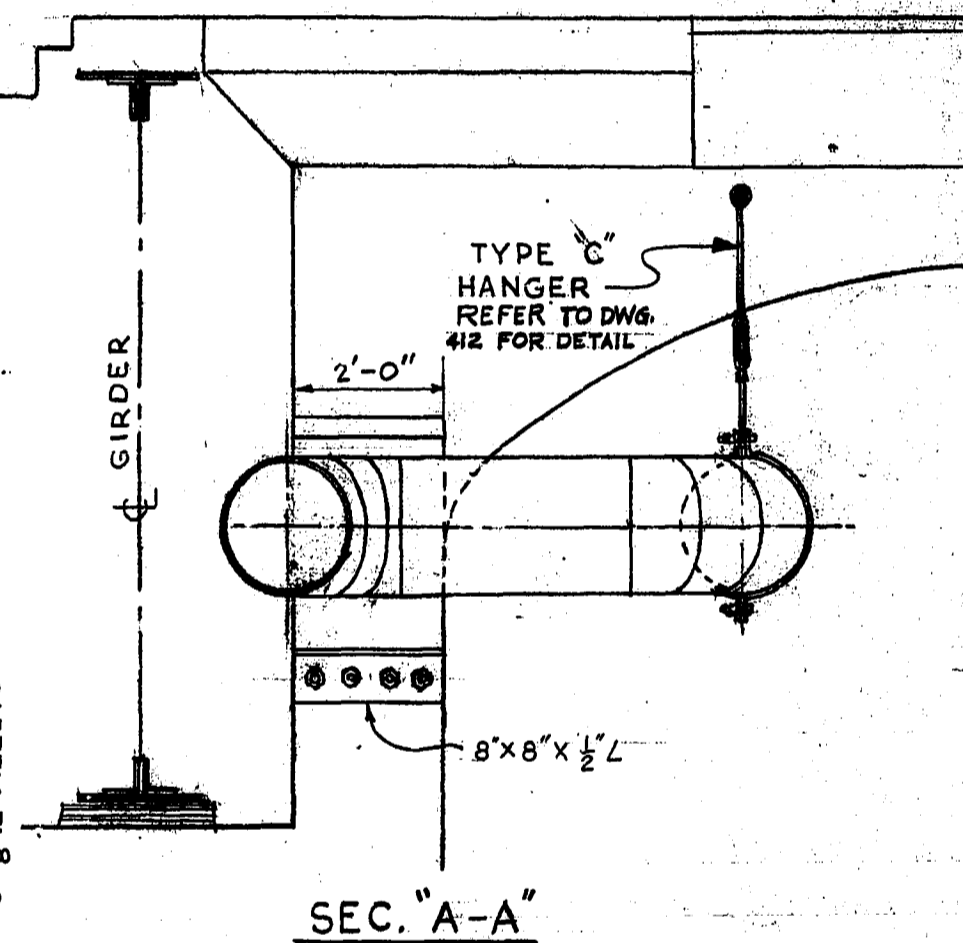


SEC. LOOKING TOWARDS WINNIPEG

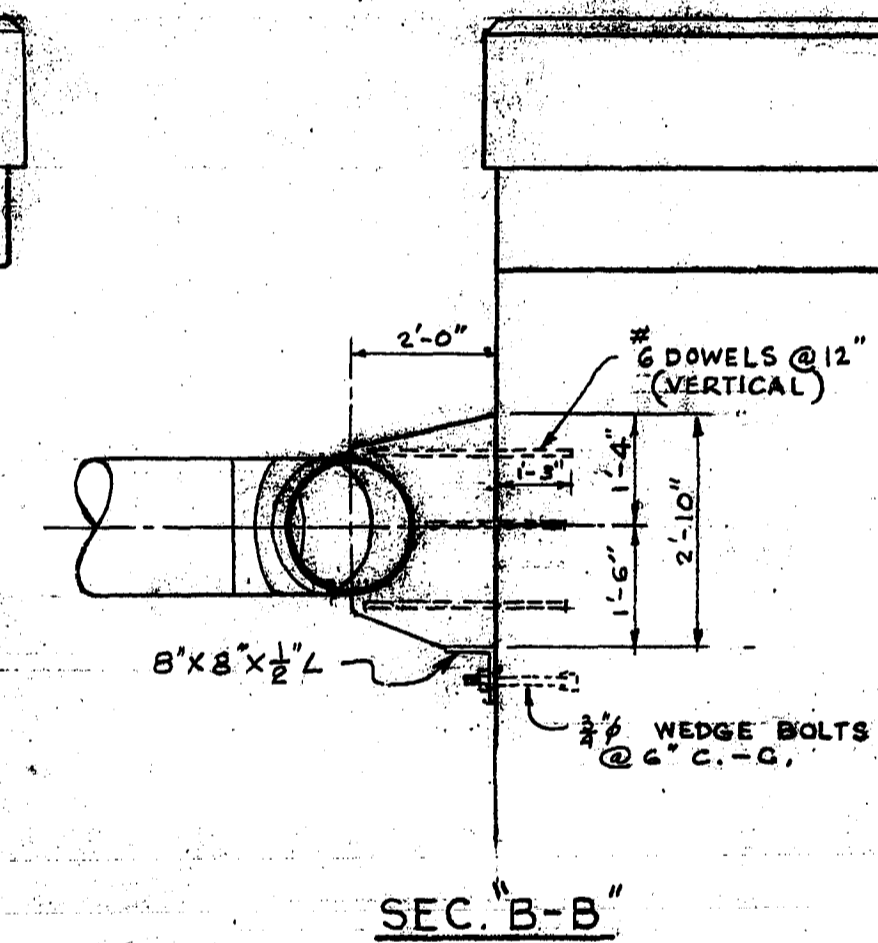
DETAIL OF MK TB-2

REFER DWG. NO. 412
TO BE WELDED TO INSIDE OF BOTTOM L OF SIDEWALK BR'KT. AS SHOWN ABOVE.

DETAIL OF SPECIAL THRUST BLOCK
5 REQ'D. - ONE AS SHOWN & 4 OPP. HAND AS NOTED.
SCALE 1" = 1'-0"

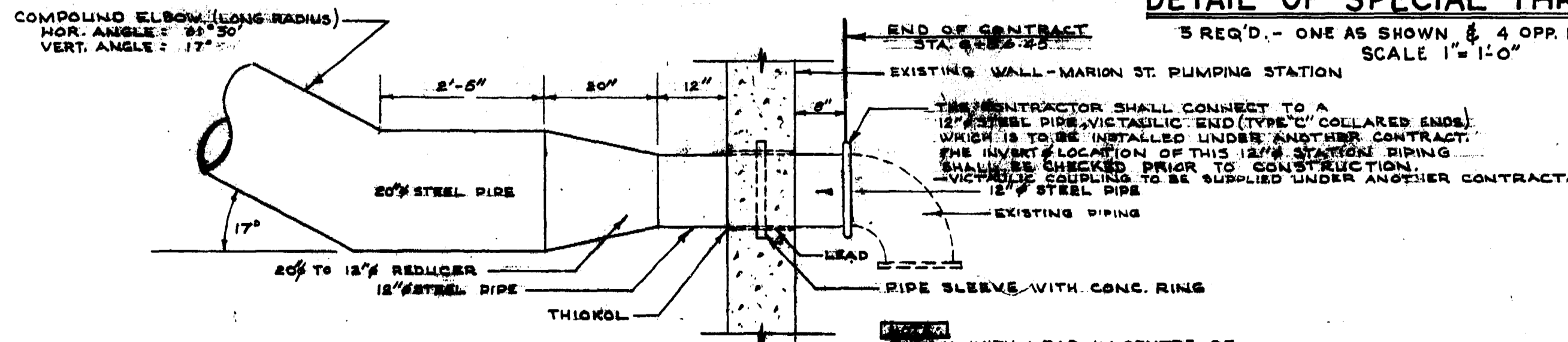


SEC. "A-A"



SEC. "B-B"

REFER DWG. NO. 412
NORWOOD BRIDGE X-ING, THRUST BLOCK AT ST. BONIFACE ABUTMENT
SCALE 1/2" = 1'-0"



REFER TO DWG. NO. 411
DETAIL AT PUMPING STATION
SCALE: 3/4" = 1'-0"



REVISIONS			THE METROPOLITAN CORPORATION OF GREATER WINNIPEG WATERWORKS & WASTE DISPOSAL DIVISION WASTE DISPOSAL BRANCH	
NO.	DESCRIPTION	DATE	BY	
1	STA. 8+49.9 TO STA. 8+79.7 - 20" DIA. ELBOW REPLACED BY 20" DIA. SWEPT TEE	DEC. 29, 1962	MKD	
2	STA. 8+49.9 TO STA. 8+79.7 - 1/2" OF COMPOUND ELBOW CHANGED	DEC. 29, 1962	MKD	
3				
4				
5				
6				
7				
8				

DESIGNED BY A.C. Mackey	CHECKED BY M.W. Slezak	DATE DEC. 17, 1962	DRAWING NO. 415
DRAWN BY A.C. Mackey	SCALE AS SHOWN		