

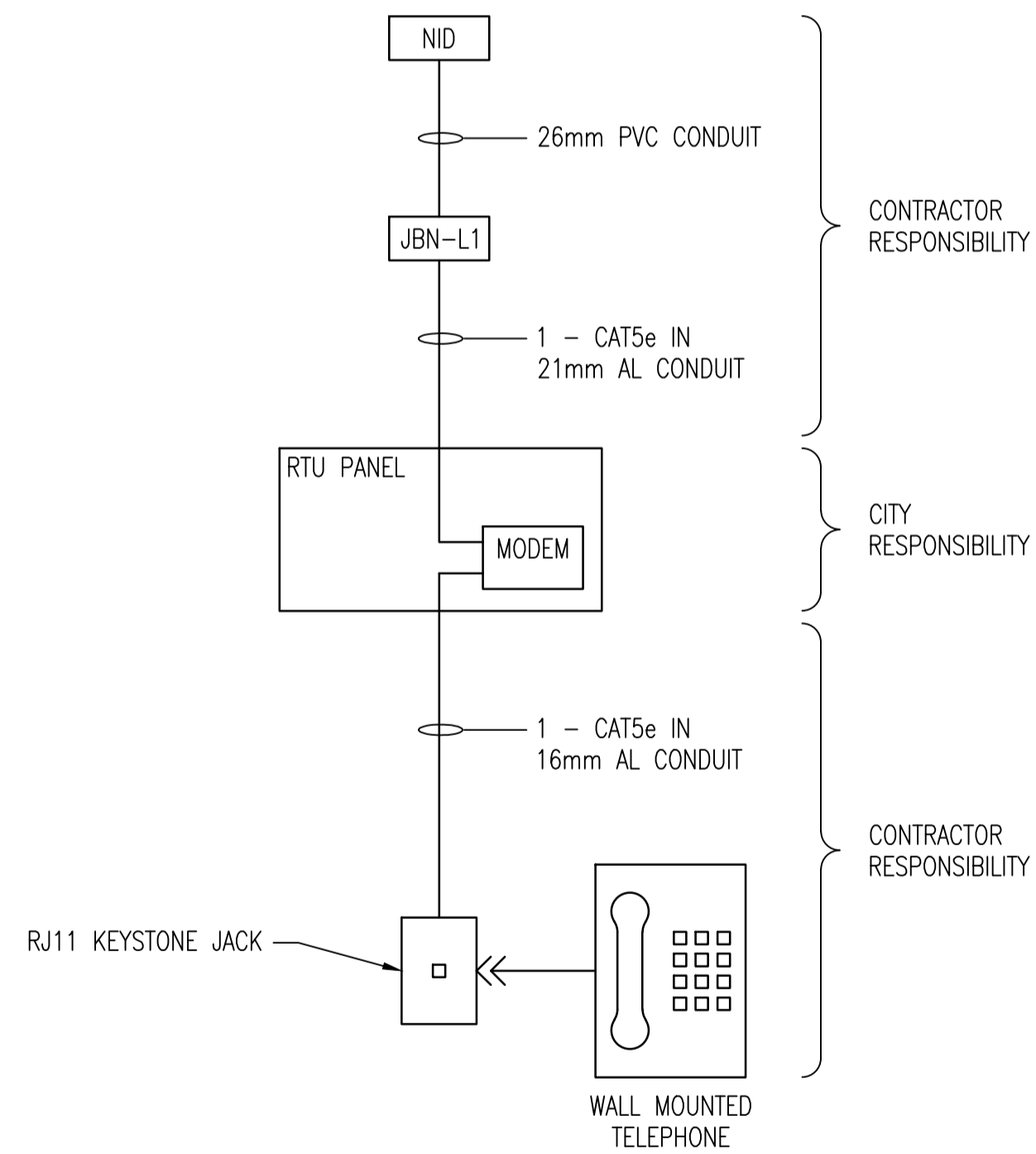
EXTERIOR PANEL VIEW

SCALE: NTS

INTERIOR PANEL VIEW

SCALE: NTS

BILL OF MATERIAL				
ITEM	QTY	DESCRIPTION	MANUFACTURER	CATALOG NUMBER
1	1	ENCLOSURE, 356x305x152	HOFFMAN	A1412CHQR
2	1	PANEL FOR ITEM 1	HOFFMAN	A14P12
3	1	BIX 25 PAIR DISTRIBUTION CONNECTOR	-	-
4	1	BIX 50 PAIR MOUNT	-	-
5	1	GROUNDING STRIP - SUITABLE FOR 3 - 10AWG CONDUCTORS	ILSCO	-



TELEPHONE BLOCK DIAGRAM

SCALE: NTS



<p>SNC-LAVALIN INC. 148 Nature Park Way Winnipeg, MB, Canada R3P 0X7 204-798-8080</p>				ENGINEER'S SEAL	
				ORIGINAL DRAWING SEALED BY: C. REIMER SNC-LAVALIN INC. 2010/10/02 REV. 00	
DESIGNED BY: B. CLEVEN		CHECKED BY: C. REIMER		<p>THE CITY OF WINNIPEG WATER AND WASTE DEPARTMENT</p> <p>MARION WASTEWATER PUMPING STATION INSTALLATION OF PUMPING UNITS & BUILDING UPGRADES DETAILS TELEPHONE NETWORK</p>	
DRAWN BY: S. COATES		APPROVED BY: C. REIMER			
SCALE: NTS		RELEASED FOR CONSTRUCTION BY: K. ZUREK		CITY DRAWING NUMBER 1-0159L-E0015	
DATE: 2010/08/19		DATE: 2010/10/04		SHEET 001	
CONSULTANT NO.: 113368-0000-47DD-0015		BID OPP.: 760-2010		REV. 00	
NO. REVISIONS		DATE		SIZE A1	