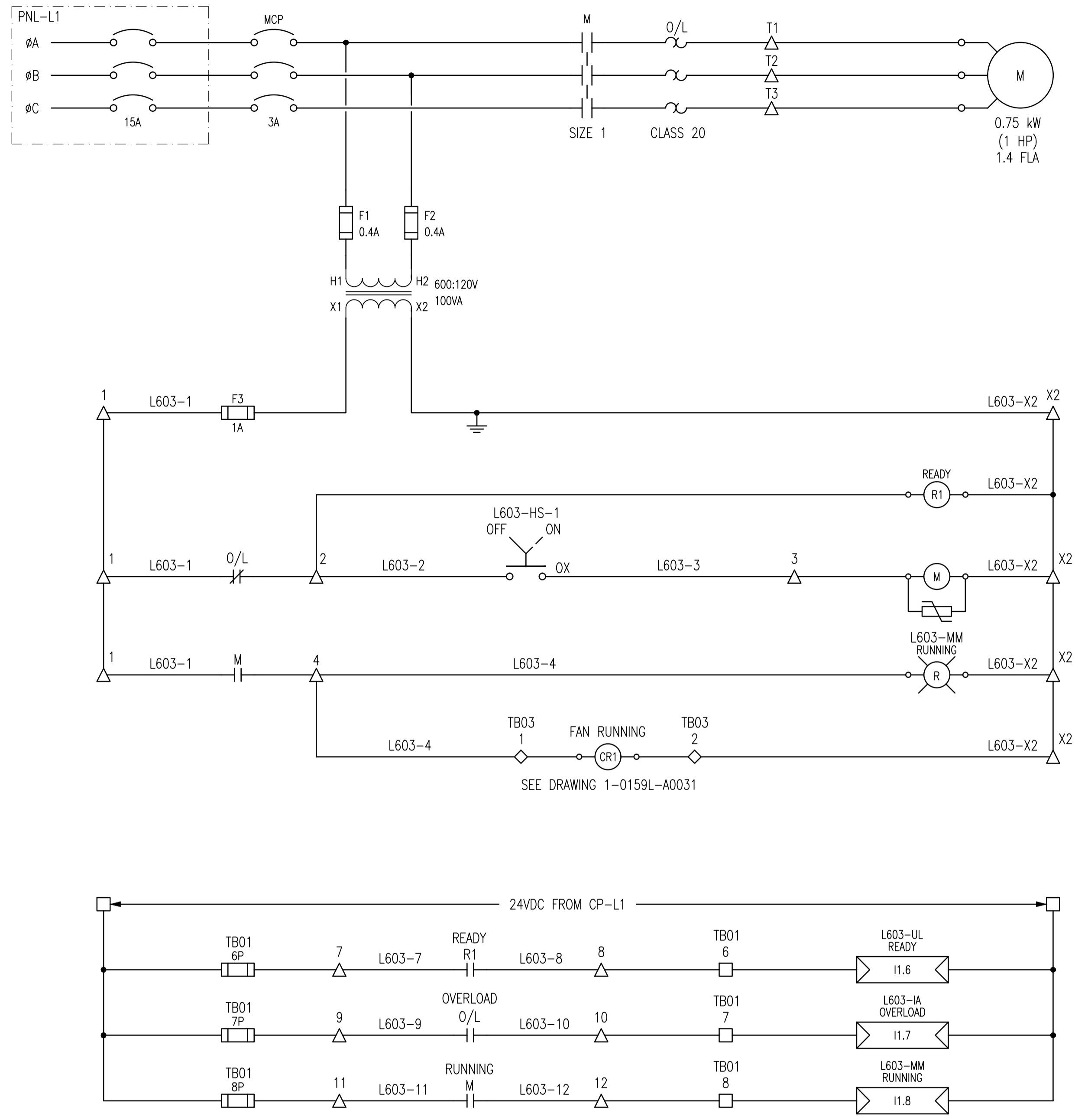
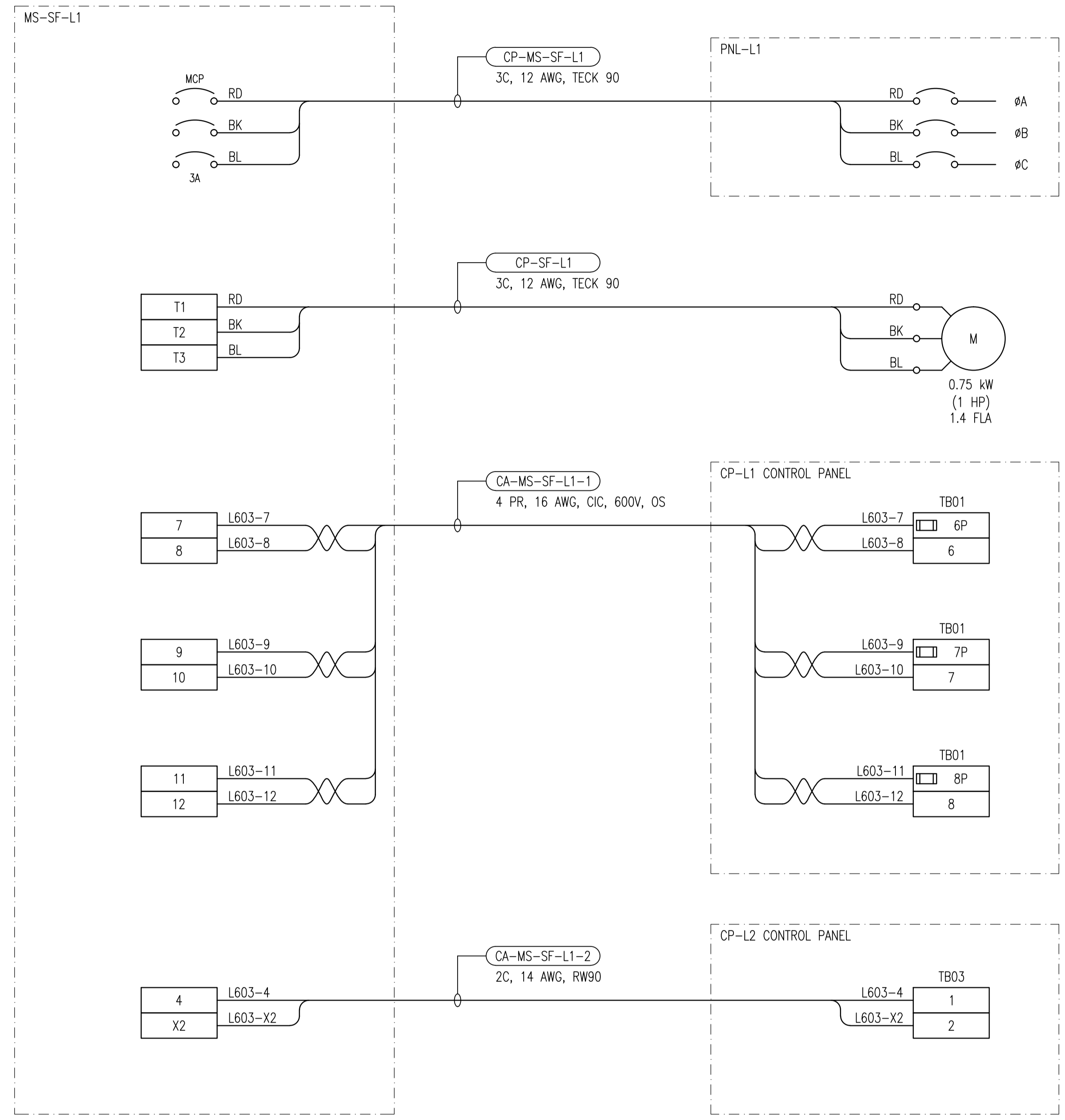


ELEMENTARY DIAGRAM:



FIELD CONNECTION DIAGRAM:



LEGEND:

- △ TERMINAL IN MOTOR STARTER PANEL
- TERMINAL IN CONTROL PANEL CP-L1
- ◇ TERMINAL IN CONTROL PANEL CP-L2
- ◀▶ PLC OUTPUT
- ▶◀ PLC INPUT

LAST SAVE: 2010/10/04 - 1:23pm
 PATH: M:\113388\AENG\47\ELE\DD - General DWG\1-0159L-E0013-001-00.dwg

1-0159L-A0031	LOOP DIAGRAM - RECIRC DAMPER CONTROL - LOOP L601
DRAWING NUMBER	REFERENCE DRAWINGS



<p>SNC-LAVALIN INC. 148 Nature Park Way Winnipeg, MB, Canada R3P 0X7 204-786-8080</p>				<p>ENGINEER'S SEAL</p> <p>ORIGINAL DRAWING SEALED BY: C. REIMER SNC-LAVALIN INC. 2010/10/02 REV. 00</p>		<p>THE CITY OF WINNIPEG WATER AND WASTE DEPARTMENT</p> <p>MARION WASTEWATER PUMPING STATION INSTALLATION OF PUMPING UNITS & BUILDING UPGRADES MOTOR STARTER SCHEMATIC SF-L1 VENTILATION FAN</p>	
<p>DESIGNED BY: B. CLEVEN</p> <p>CHECKED BY: C. REIMER</p> <p>DRAWN BY: S. COATES</p> <p>APPROVED BY: C. REIMER</p> <p>SCALE: N.T.S.</p> <p>RELEASED FOR CONSTRUCTION BY: K. ZUREK</p> <p>DATE: 2010/06/30</p> <p>DATE: 2010/10/04</p>		<p>CONSULTANT NO.: 113368-0000-47DD-0013</p> <p>BID OPP.: 760-2010</p>		<p>CITY DRAWING NUMBER</p> <p>1-0159L-E0013</p>		<p>SHEET REV. SIZE</p> <p>001 00 A1</p>	