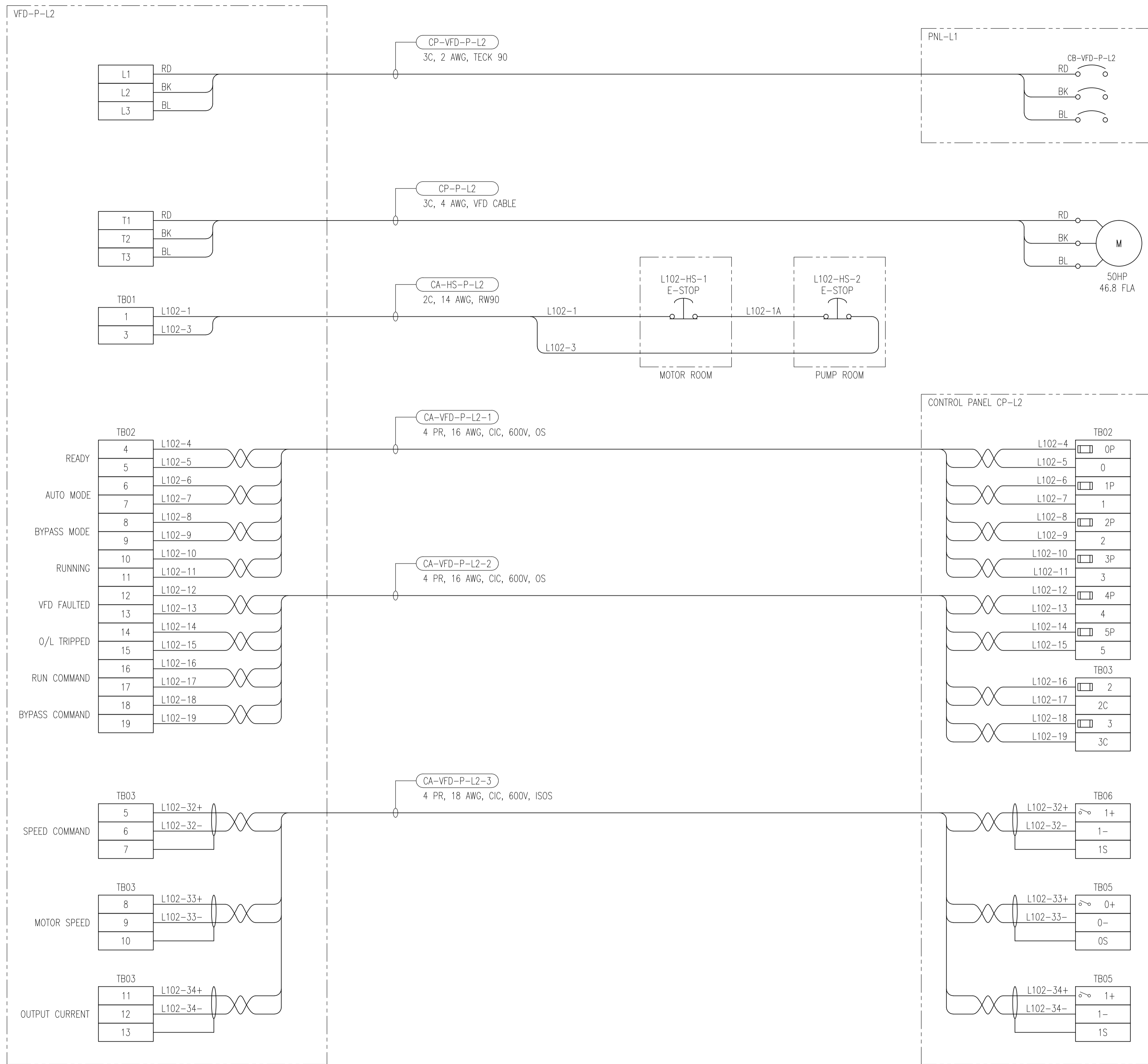


FIELD CONNECTION DIAGRAM:



1-0159L-E0011	MOTOR STARTER SCHEMATIC - VFD-P-L2
DRAWING NUMBER	REFERENCE DRAWINGS



NO.	REVISIONS	DATE	DESIGN	CHECK
00	ISSUED FOR TENDER	2010/09/29	BC	CJR

SNC-LAVALIN INC. 148 Nature Park Way Winnipeg, MB, Canada R3P 0X7 204-786-8080	
DESIGNED BY: B. CLEVEN	CHECKED BY: C. REIMER
DRAWN BY: S. COATES	APPROVED BY: C. REIMER
SCALE: N.T.S.	RELEASED FOR CONSTRUCTION BY: K. ZUREK
DATE: 2010/07/29	DATE: 2010/10/04
CONSULTANT NO.: 113368-0000-47DD-0012	

ENGINEER'S SEAL
ORIGINAL DRAWING SEALED BY: C. REIMER SNC-LAVALIN INC. 2010/10/02 REV. 00
BID OPP.: 760-2010

THE CITY OF WINNIPEG WATER AND WASTE DEPARTMENT	
MARION WASTEWATER PUMPING STATION INSTALLATION OF PUMPING UNITS & BUILDING UPGRADES CONNECTION DIAGRAM VFD-P-L2 WASTEWATER LIFT PUMP	
CITY DRAWING NUMBER 1-0159L-E0012	SHEET REV. SIZE 001 00 A1