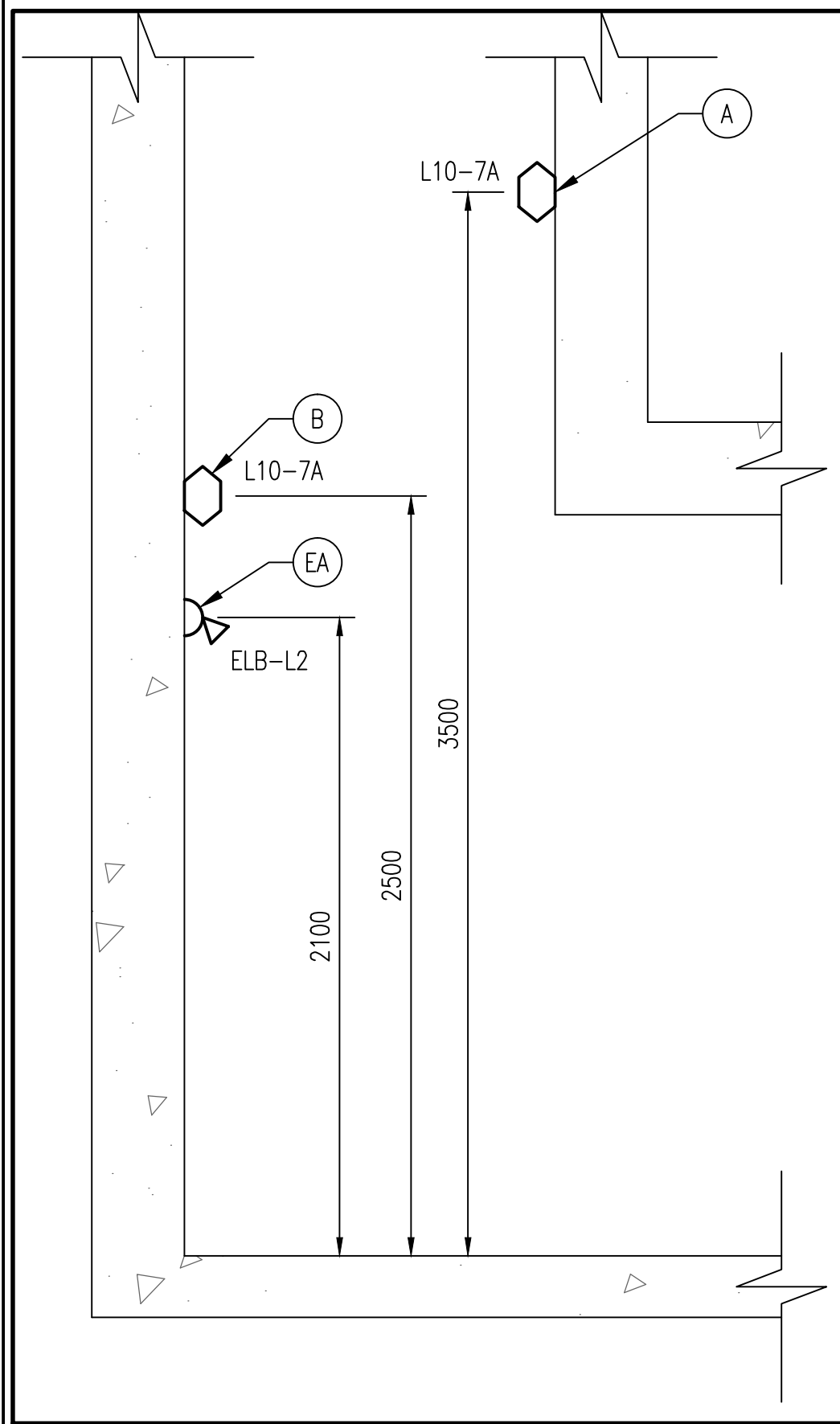


- DEMOLITION NOTES:**
- (A) PROVIDE DEMOLITION OF EXISTING LIGHT FIXTURES, INCLUDING CABLING, CONDUIT, JUNCTION BOXES, SUPPORTS AND CONTROLS. REMOVE CABLING AND CONDUIT BACK TO SOURCE PANEL.
 - (B) DEMOLISH EXISTING WET WELL FLOAT ACTUATOR SYSTEM INCLUDING WIRING & CONDUIT.
 - (C) PROVIDE DEMOLITION OF EXISTING PUMP MOTORS INCLUDING CABLING, CONDUIT, JUNCTION BOXES, SUPPORTS AND CONTROLS.
 - (D) DEMOLISH EXISTING RECEPTACLE, INCLUDING ALL CABLING AND CONDUIT.
 - (E) DEMOLISH ALL EXISTING ELECTRICAL AND INSTRUMENTATION IN THE INLET VALVE CHAMBER.

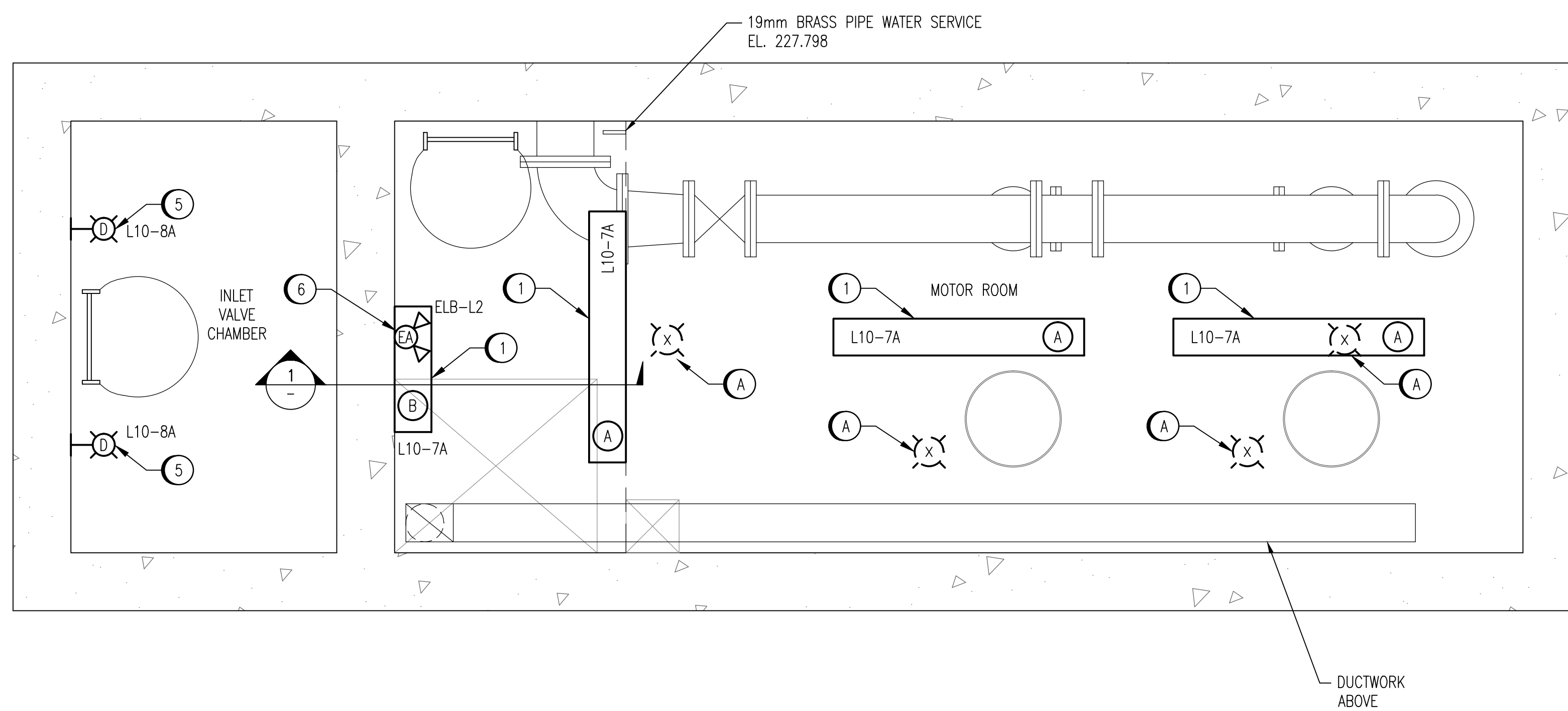
- INSTALLATION NOTES:**
- (1) INSTALL NEW 2 X 32W, T8, FLORESCENT LUMINAIRE.
 - (2) INSTALL NEW DUPLEX RECEPTACLE.
 - (3) CONNECT NEW 50HP MOTOR.
 - (4) PROVIDE UNISTRUT SUPPORT BRACKETS AS REQUIRED TO MOUNT FLOWMETER TRANSMITTER FRONT FLUSH WITH PIPE.
 - (5) NEW WALL-MOUNTED LIGHT FIXTURES.
 - (6) INSTALL NEW REMOTE EMERGENCY LIGHTING FIXTURE.
 - (7) INSTALL NEW E-STOP SWITCH.

- GENERAL NOTES:**
- 1. ALL LIGHTING AND RECEPTACLE WIRING IS TO BE INSTALLED IN ALUMINUM CONDUIT.

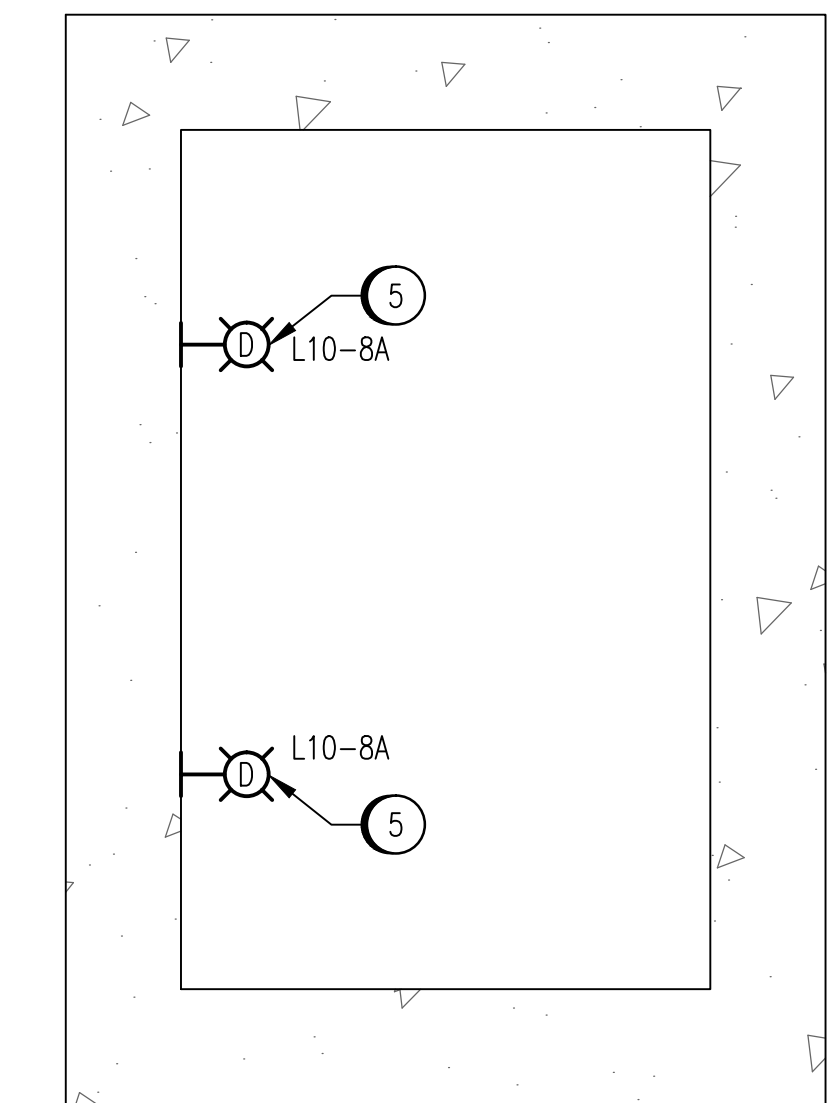
ELECTRICAL PLAN - MOTOR ROOM & GATE CHAMBER - EL. 222.837
SCALE: 1 : 20



SECTION 1
SCALE: 1 : 20



LIGHTING PLAN - MOTOR ROOM & GATE CHAMBER - EL. 222.837
SCALE: 1 : 20



LIGHTING PLAN - INLET VALVE CHAMBER UPPER LEVEL - EL. 228.352
SCALE: 1 : 20

DRAWING NUMBER	REFERENCE DRAWINGS
----------------	--------------------



00	ISSUED FOR TENDER	2010/09/29	BC	CJR
NO.	REVISIONS	DATE	DESIGN	CHECK

DESIGNED BY:	CHECKED BY:
B. CLEVEN	C. REIMER
DRAWN BY:	APPROVED BY:
S. COATES	C. REIMER
SCALE:	RELEASED FOR CONSTRUCTION
1:20	BY: K. ZUREK
DATE:	DATE:
2010/06/30	2010/10/04
CONSULTANT NO.:	
113368-0000-47DD-0006	

ENGINEER'S SEAL
ORIGINAL DRAWING
SEALED BY:
C. REIMER
SNC-Lavalin Inc.
2010/10/02
REV. 00

THE CITY OF WINNIPEG
WATER AND WASTE DEPARTMENT

MARION WASTEWATER PUMPING STATION
INSTALLATION OF PUMPING UNITS & BUILDING UPGRADES
ELECTRICAL AND LIGHTING PLAN
MOTOR ROOM

CITY DRAWING NUMBER	SHEET	REV.	SIZE
1-0159L-E0006	001	00	A1