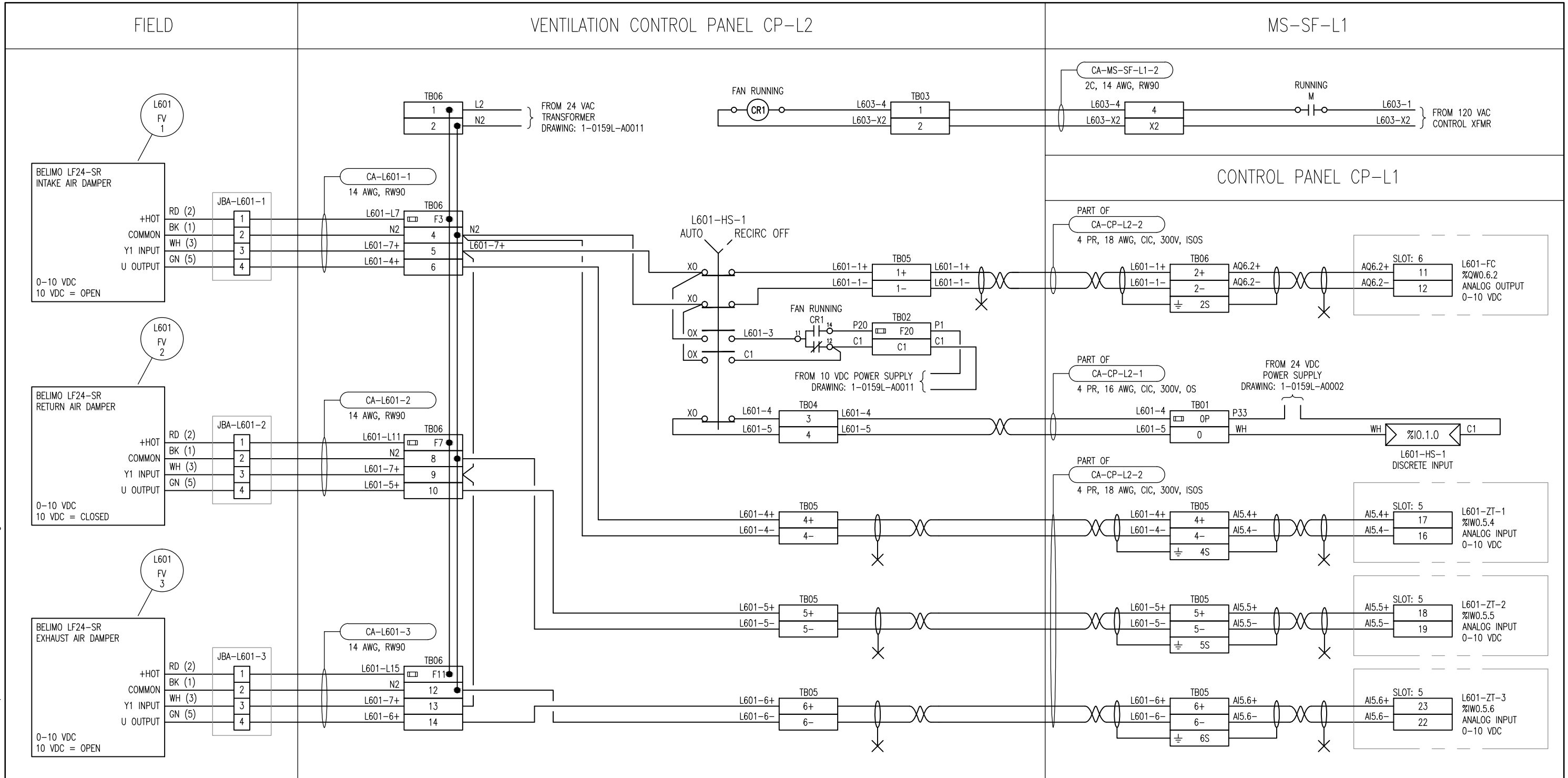


B SIZE - 279mm x 432mm

General DWG\1-0159L-A0031-001-00.dwg

LAST SAVE: 2010/10/04 - 1:54pm
 PATH: M:\113368\4ENG\48&c\DD -



NOTES

00	ISSUED FOR TENDER	2010/09/29	BC	CJR
NO.	REVISIONS	DATE	DESIGN	CHECK

SNC-LAVALIN INC.
 148 Nature Park Way
 Winnipeg, MB, Canada R3P 0X7
 204-786-8080

DESIGNED BY: B. CLEVEN
 CHECKED BY: C. REIMER
 DRAWN BY: S. COATES
 APPROVED BY: C. REIMER
 SCALE: N.T.S.
 DATE: 2010/06/30
 RELEASED FOR CONSTRUCTION
 BY: K. ZUREK
 DATE: 2010/10/04
 CONSULTANT NO.: 113368-0000-48DD-0031

ENGINEER'S SEAL

ORIGINAL DRAWING
 SEALED BY:
 C. REIMER
 SNC-LAVALIN INC.
 2010/10/02
 REV. 00

BID OPPORTUNITY:
 760-2010

THE CITY OF WINNIPEG
 WATER AND WASTE DEPARTMENT

MARION WASTEWATER PUMPING STATION

LOOP DIAGRAM
 RECIRCULATION DAMPER CONTROL
 LOOP L601

CITY DRAWING NUMBER: 1-0159L-A0031
 SHEET: 001
 REV.: 00
 SIZE: B

