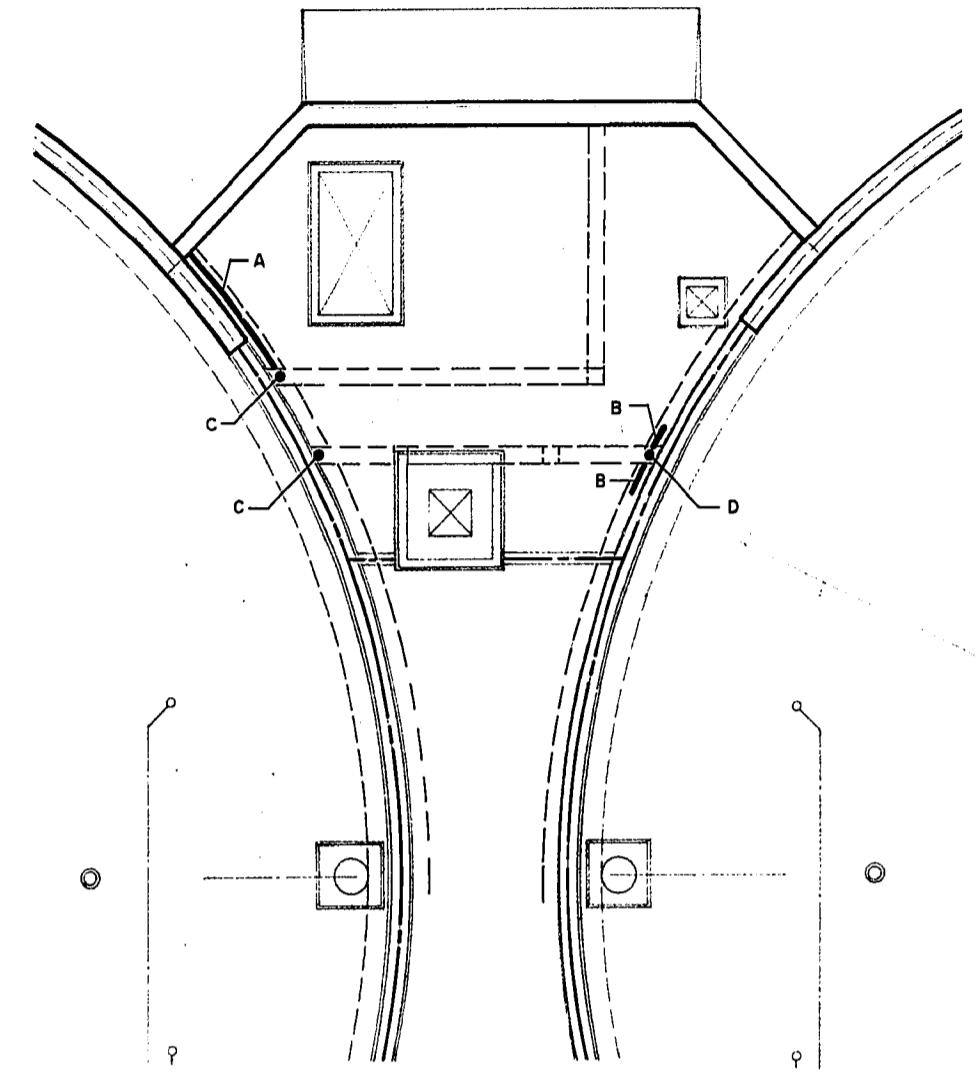
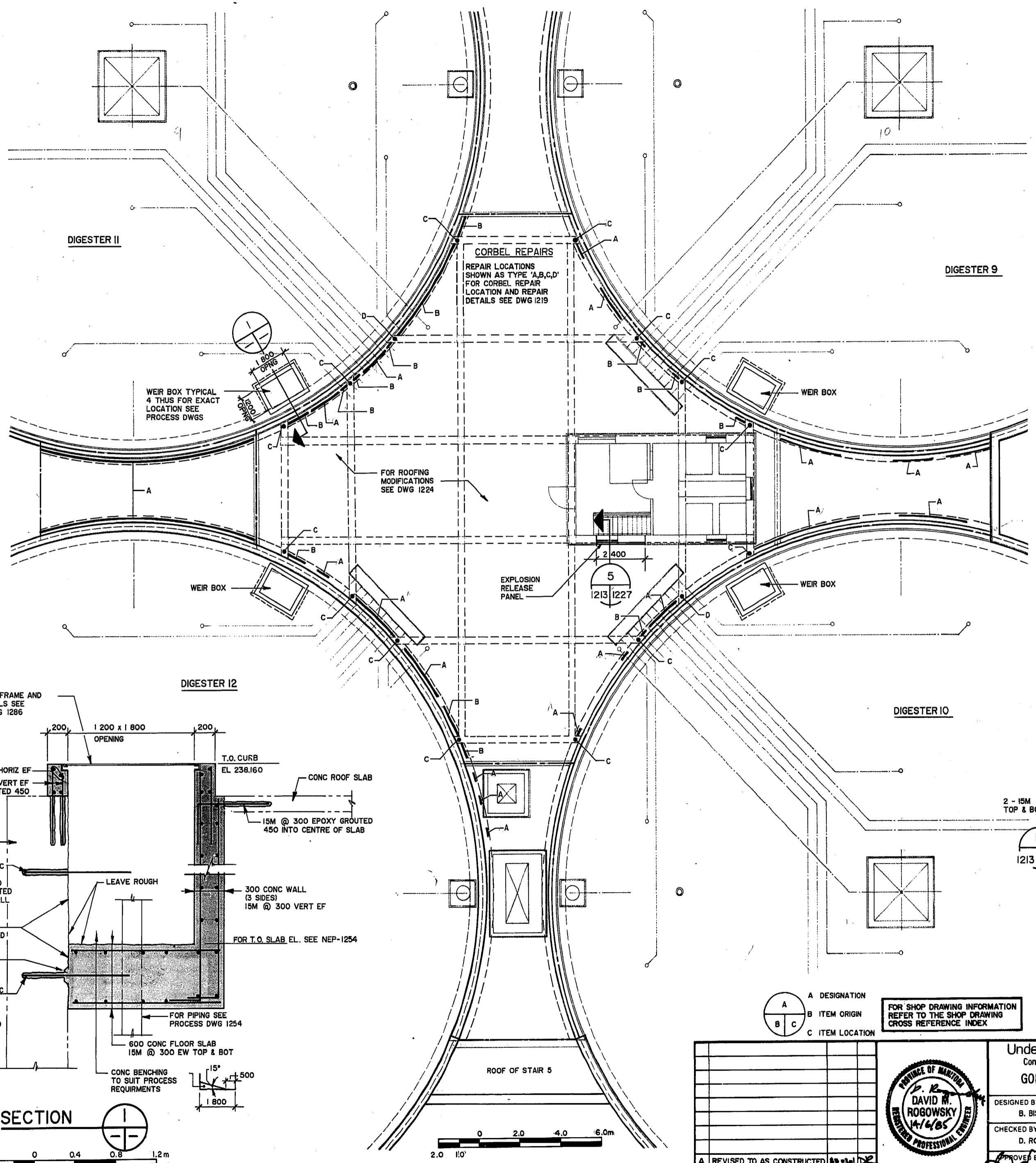
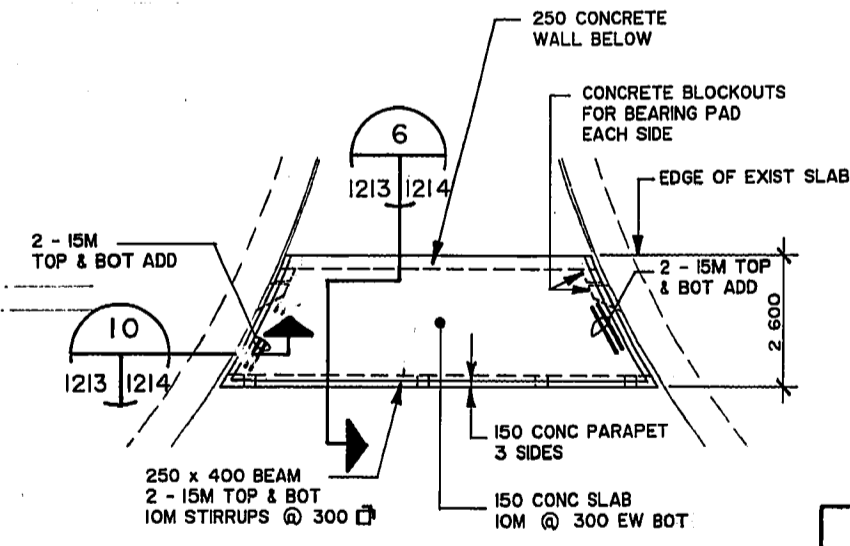
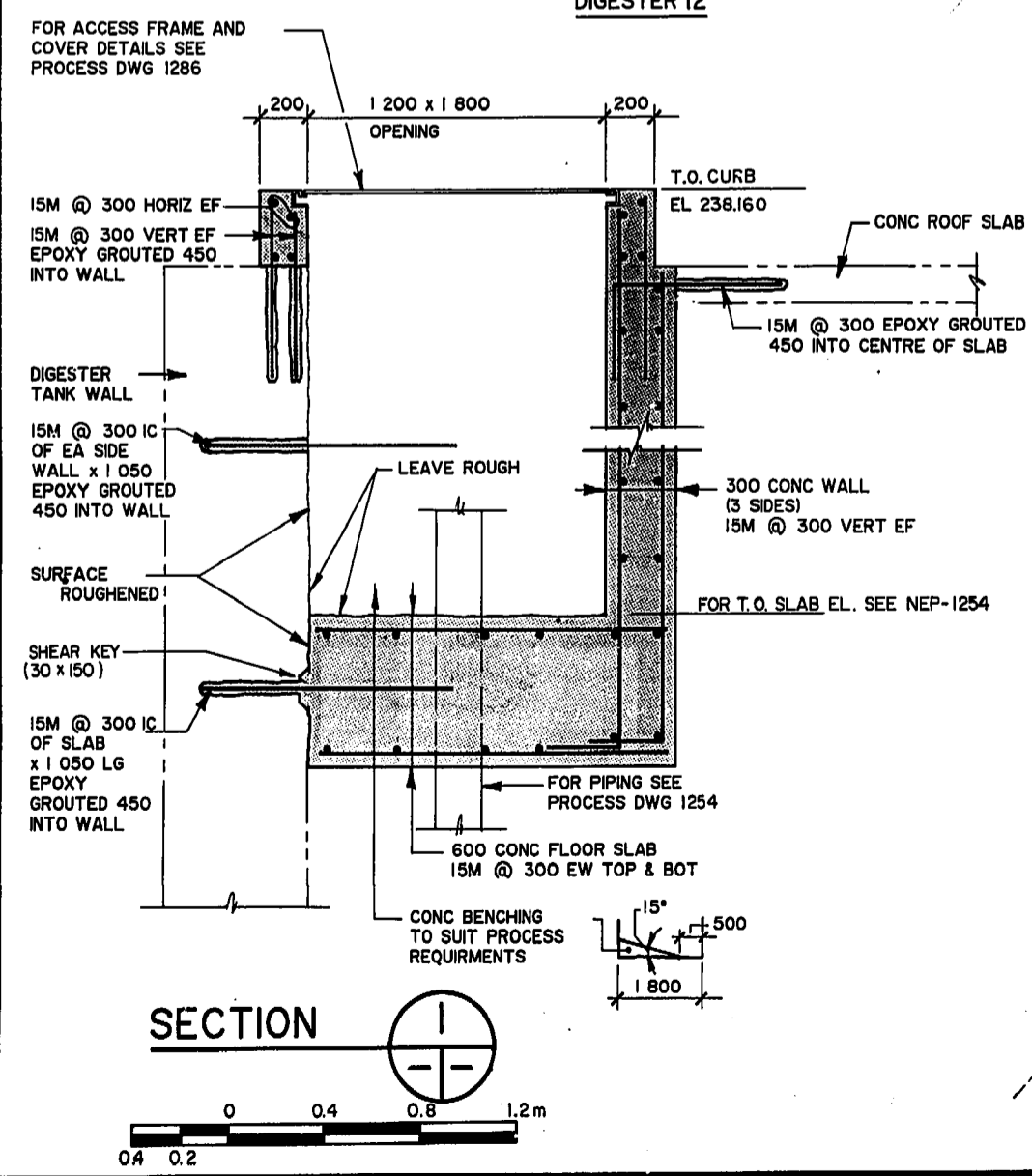


GENERAL NOTES:  
1. OPENINGS THROUGH EXISTING WALLS & FLOORS FOR PIPES  
- SEE PROCESS & MECHANICAL DRAWINGS FOR LOCATION AND SIZE

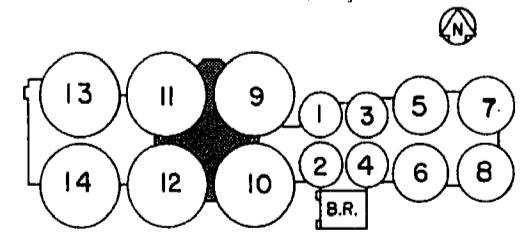


NORTH ENTRY ROOF PLAN GALLERY 5  
T.O. SLAB EL. 237.840



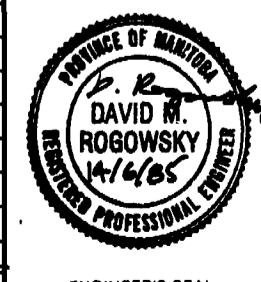
ROOF FRAMING PLAN -  
GALLERY 5 SOUTH STAIR  
(T.O. SLAB EL. 237.840)

AS CONSTRUCTED  
APPROVED BY: [Signature]  
DATE: 17/6/85



FOR SHOP DRAWING INFORMATION REFER TO THE SHOP DRAWING CROSS REFERENCE INDEX

NO	REVISIONS	DATE	APP
A	REVISED TO AS CONSTRUCTED	8/3/85	[Signature]



Underwood McLellan Ltd.  
Consulting Engineers and Planners  
**GORE & STORRIE LIMITED**  
CONSULTING ENGINEERS  
DESIGNED BY: B. BISWANGER  
DRAWN BY: L.M.G.  
CHECKED BY: D. ROGOWSKY  
DATE: FEB./85  
APPROVED BY: [Signature]  
DATE: JUNE/85

**THE CITY OF WINNIPEG**  
WORKS & OPERATIONS  
DIVISION  
WATERWORKS, WASTE & DISPOSAL DEPARTMENT

NORTH END WATER POLLUTION CONTROL CENTRE  
SLUDGE DIGESTION EXPANSION  
**DIGESTION GALLERY No. 5**  
STRUCTURAL  
ROOF PLAN  
RELEASED FOR CONSTRUCTION: [Signature]  
DATE: 17/6/85  
SCALE: AS SHOWN  
DRAWING NO.: **NEP-1213**