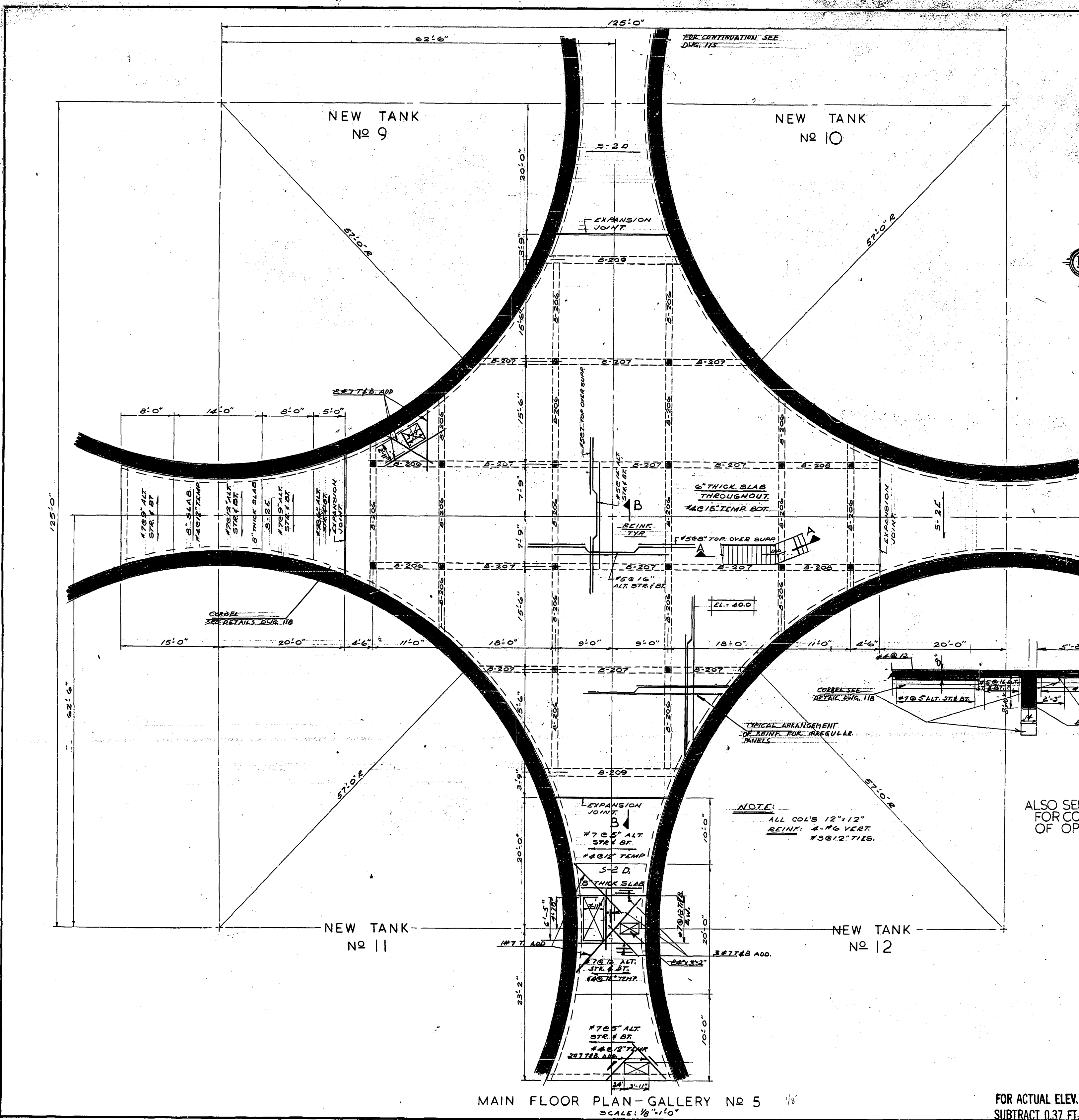


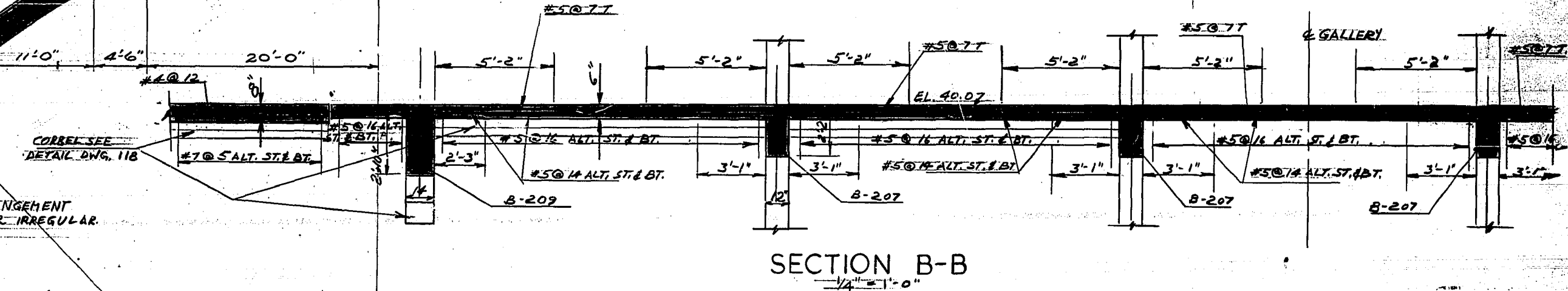
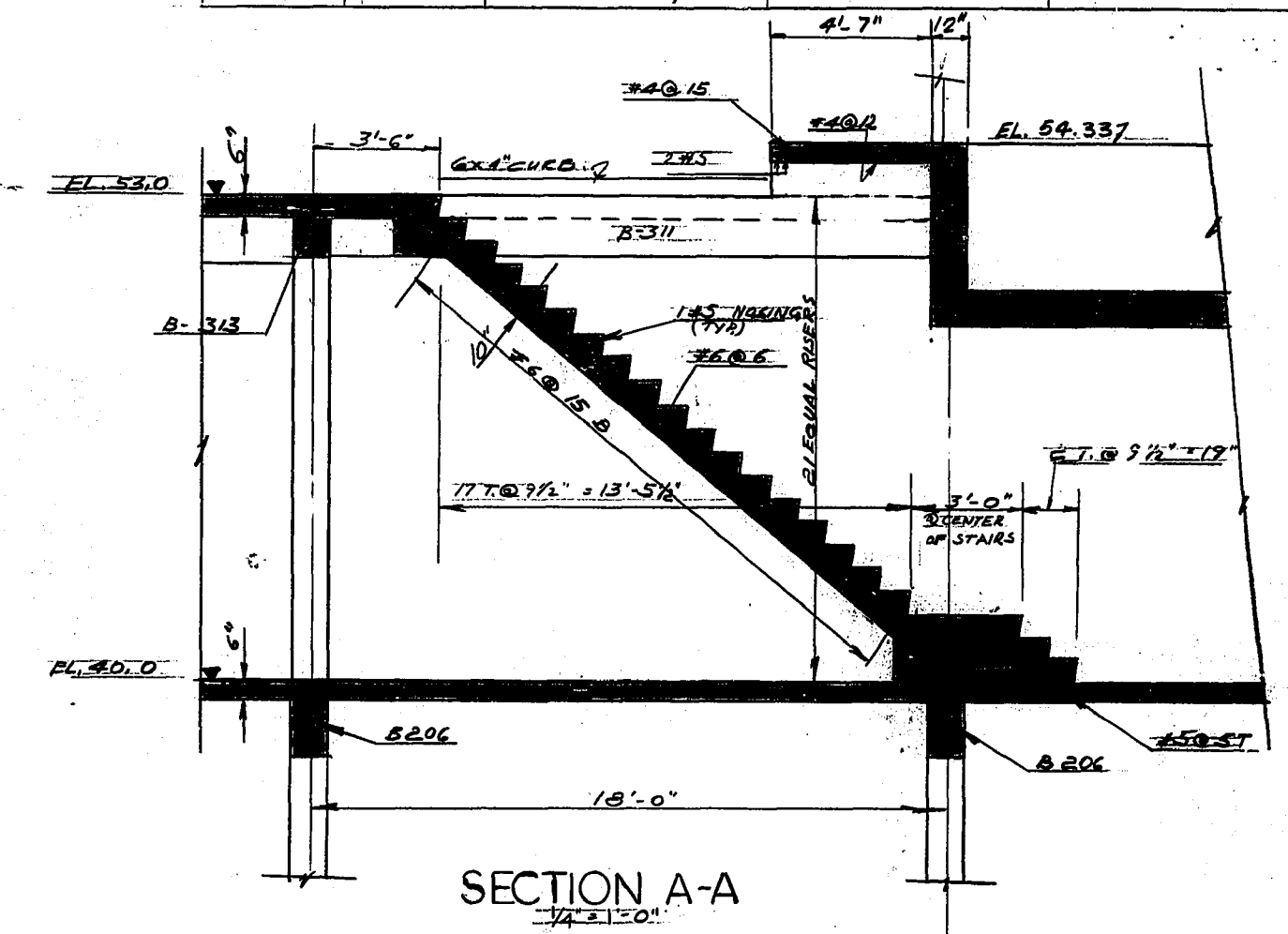
DRAWING No. NEP-114

DETAILS



**MAIN FLOOR BEAM SCHEDULE**

MARK	SIZE	REINFORCING		STIRRUPS
		BOTTOM	TOP	
B-206	12" x 24"	1-#7 2-#6	2-#6	NA-406, 20'10" E.E. REM. @ 12"
B-207	12" x 26"	1-#6 2-#8	2-#8	NA-405, 406, 20' 10'E.E. REM. @ 12"
B-208	12" x 26"	2-#6	2-#6	#3 @ 12"
B-209	14" x 34"	3-#9 2-#8	2-#6	NA-604, 606" E.E. REM. @ 12"



ALSO SEE DETAIL DWG. No 26 FOR CORRECT LOCATIONS OF OPENINGS

**REVISIONS**

NO.	DATE	DETAIL

PROVINCE OF MANITOBA  
**J. W. MacLAREN**  
REGISTERED ENGINEER

PROVINCE OF MANITOBA  
**D. R. GRIMES**  
REGISTERED ENGINEER

THE METROPOLITAN CORPORATION OF GREATER WINNIPEG  
WATERWORKS AND WASTE DISPOSAL DIVISION

**NORTH END SEWAGE TREATMENT PLANT**

**CONTRACT A - DIGESTION AREA**  
**STRUCTURAL - GALLERY No. 5**  
**MAIN FLOOR PLAN ELEV. 40.0**

DATE: MARCH 11, 1963      SCALE: AS SHOWN      DWG. No. 114 OF 217      **NEP-114**

FOR ACTUAL ELEV. **AS BUILT**  
SUBTRACT 0.37 FT.

MAIN FLOOR PLAN - GALLERY No 5  
SCALE: 1/8" = 1'-0"