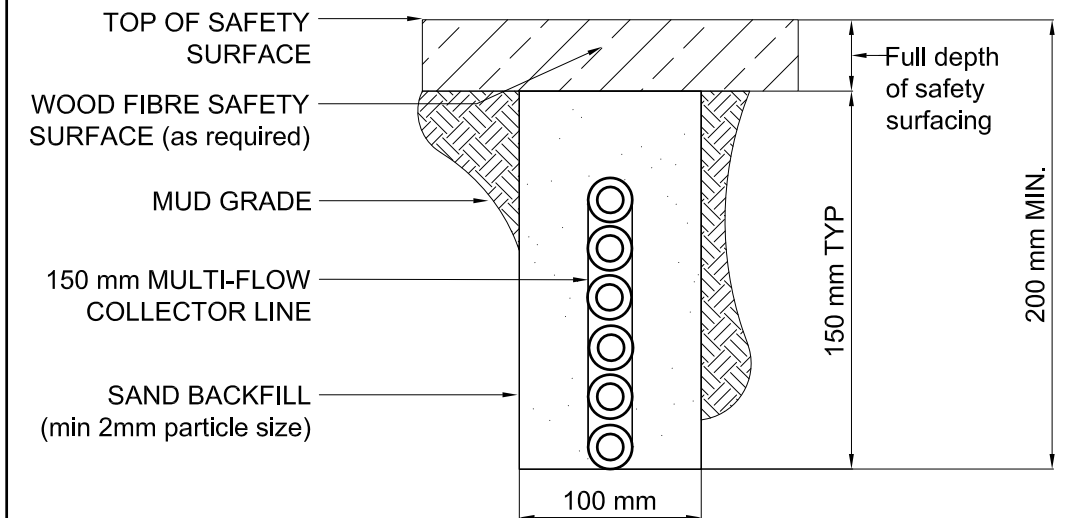


STEPPING POST DETAIL

SCALE: 1:15

150 mm MultiFlow Drain System c/w End Caps and Connectors.
Place in center of trench.
Bottom of trench elevation and slope of drain to be shown on plan.



INSTALL MULTI-FLOW IN THE CENTER OF THE TRENCH.
BACKFILL MATERIAL SHOULD BE A VERY COARSE SAND. MIN. RECOMMENDED SLOPE 1%.

DRAINAGE DETAIL

SCALE: N.T.S

CONTRACTOR TO CONFIRM ALL DIMENSIONS AND REPORT ANY DISCREPANCIES TO CONTRACT ADMINISTRATOR PRIOR TO CONSTRUCTION. LOCATION OF UNDERGROUND STRUCTURES AS SHOWN ARE BASED ON THE BEST INFORMATION AVAILABLE BUT NO GUARANTEE IS GIVEN THAT ALL EXISTING UTILITIES ARE SHOWN OR THAT THE GIVEN LOCATIONS ARE EXACT. CONFIRMATION OF EXISTENCE AND EXACT LOCATION OF ALL SERVICES MUST BE OBTAINED FROM THE INDIVIDUAL UTILITIES BEFORE PROCEEDING WITH CONSTRUCTION.



THE CITY OF WINNIPEG
Planning, Property and Development Department
Planning and Land Use Division
Unit 15 - 30 Fort Street, Winnipeg, MB, (R3C 4X5)

DESIGNED BY	E.S.	CHECKED BY	
DRAWN BY	E.S.	APPROVED BY	MANAGER, PARK AND OPEN SPACES
HORIZ. SCALE		DATE	
VERT. SCALE		DATE	
DATE	June 2010	DATE	MANAGER, PLANNING AND LAND USE DIVISION

DRAWING TITLE	DRAWING NO.
LIVING PRAIRIE MUSEUM TOT LOT	
Nature Playground	L.6-A3
PHASE I: DETAIL DRAWINGS	
SITE ADDRESS	BID OPPORTUNITY NO.
2795 Ness Avenue	743-2010