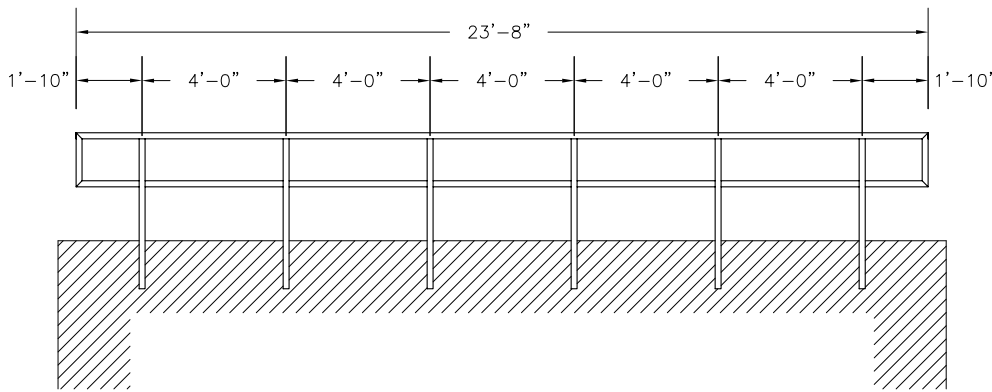
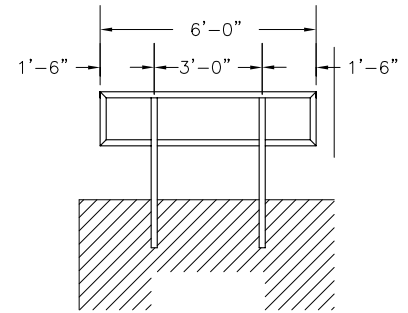


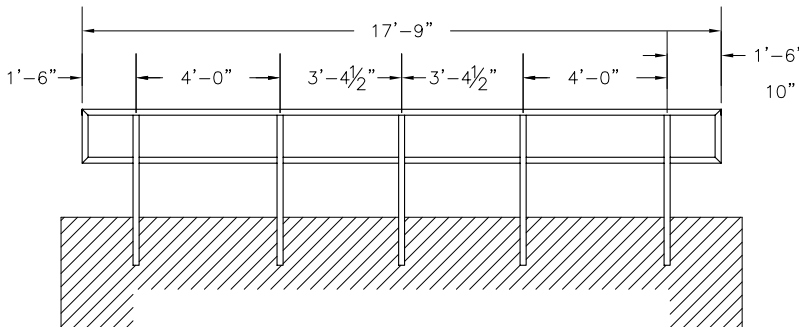
Railing # 1
Scale: 3/16" = 1'-0"



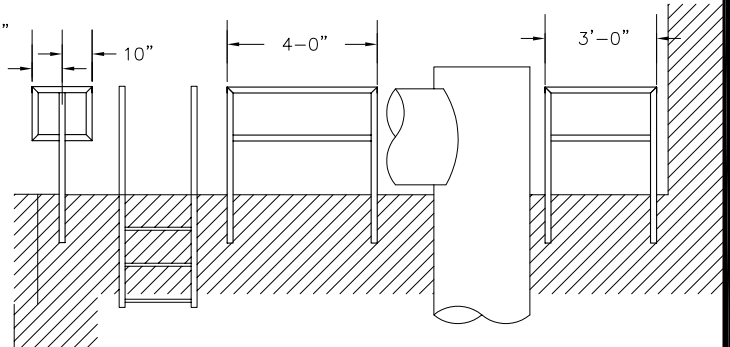
Railing # 2
Scale: 3/16" = 1'-0"



Railing # 4
Scale: 3/16" = 1'-0"



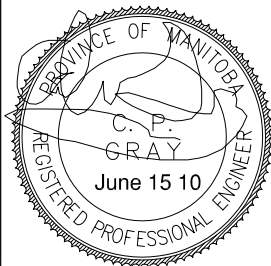
Railing # 3
Scale: 3/16" = 1'-0"



Railing # 5
Scale: 3/16" = 1'-0"

SK-4

New Handrail on Low Roof
Confederation Building
457 Main Street
Winnipeg MB R3B 1B5



GC ENGINEERING LTD.
675 ELM ST.
WINNIPEG MB R3M 3N8
PH 793-3948 FAX 487-4616
EMAIL CALGRAY@MTS.NET