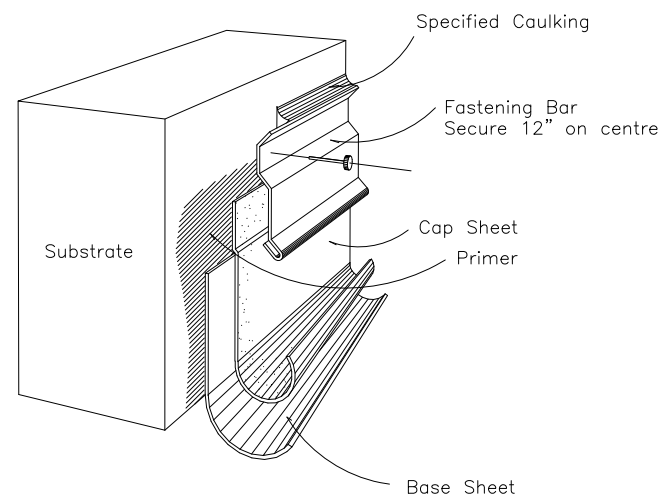
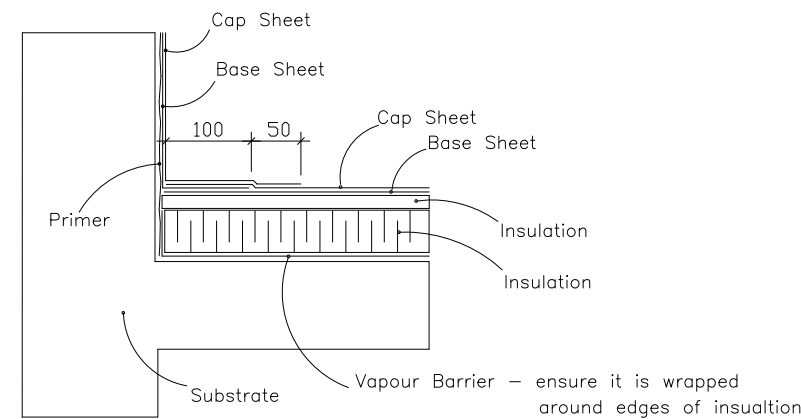


Typical Fastening Bar

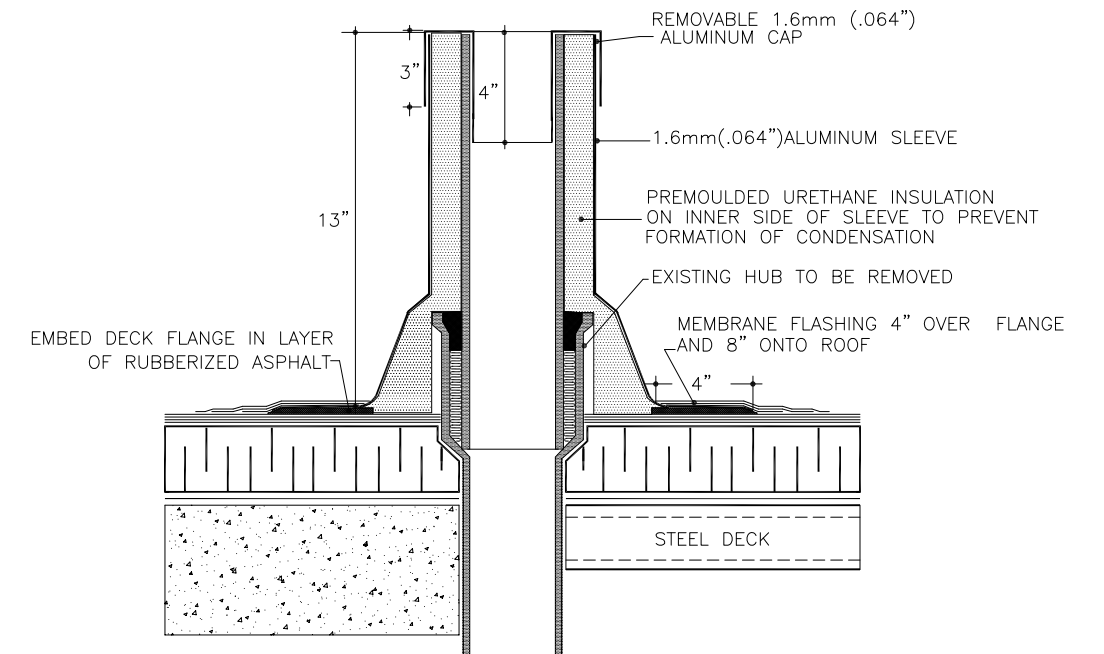


Typical Roof Edge Detail



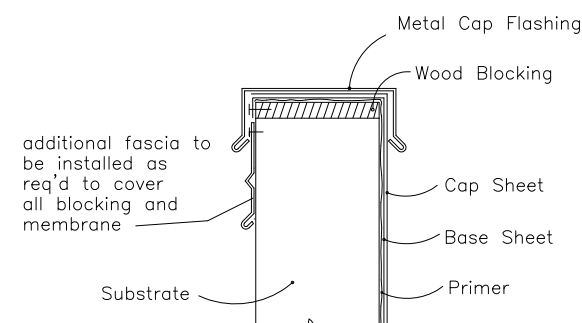
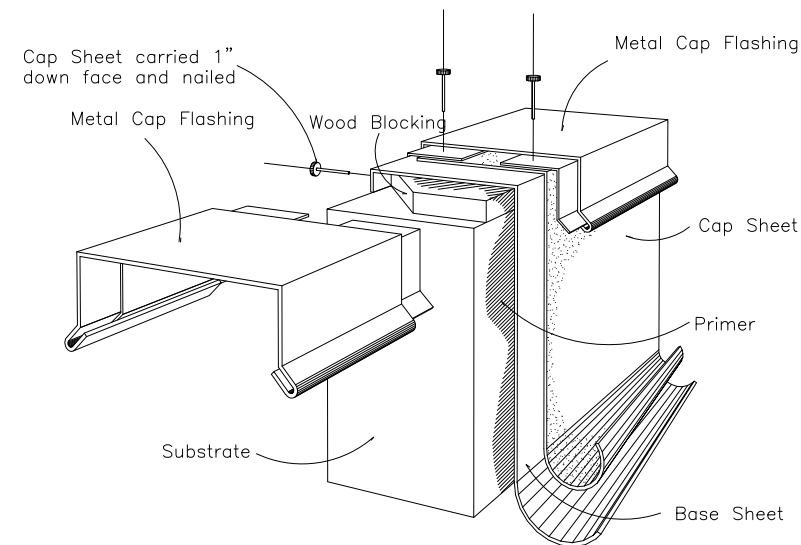
Note: Modified Bitumen stripping used in conjunction with 4 ply felt membrane is to have base sheet extend 12" onto flat and cap sheet 18" onto flat.

Plumbing Vent Flashing



SJ-20 ALUMINUM STACK JACK (13") HIGH

Typical Parapet Cap



AGASSIZ CONSULTING GROUP

809 Pipeline Road, Winnipeg, Manitoba
Phone: 697-8091 Fax: 697-8039

Project: Confederation Building
457 Main Street
Winnipeg, MB

Date: June 25, 2008

Drawing No. D-1

File no: 3176-10 Scale: N.T.S.