



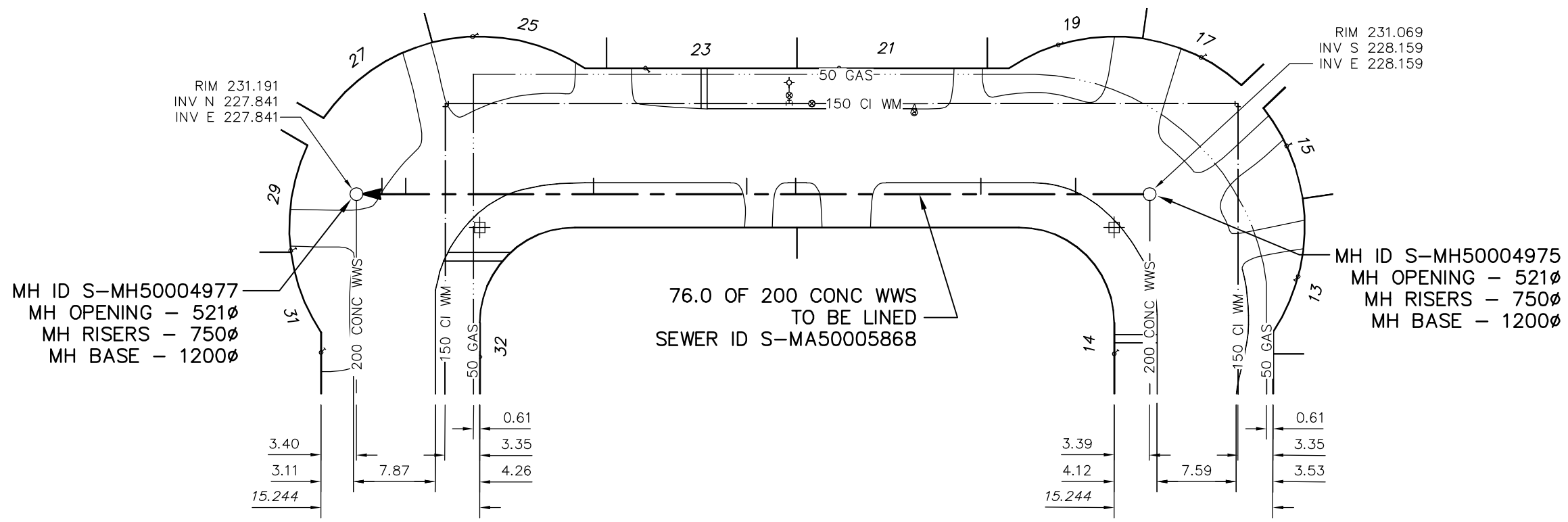
14.00 FULLY DETERIORATED
OVALITY = 8.0%

62.00 PARTIALLY DETERIORATED
OVALITY = 3.0%

BENTWOOD BAY (W LEG)

BENTWOOD BY (S LEG)

BENTWOOD BY (N LEG)



SEWER JUNCTION INFORMATION FROM SEWER VIDEO INSPECTION SEWER ID S-MA50005868				
DISTANCE FROM MH ID S-MH50004975				
7.1	S	150ø	WEST	CNI
16.2	S	150ø	WEST	JN
34.0	S	150ø	WEST	JN
38.7	S	150ø	WEST	CNI
53.4	S	150ø	WEST	JN
71.4	S	150ø	WEST	JN
73.7	S	150ø	WEST	JN

ENGINEER'S SEAL

ORIGINAL SIGNED
BY
S.R.J.
COURNOYER
10/07/06

BID OPPORTUNITY: 525-2010
FILENAME : 9315.dwg
PLOT DATE : 2010 07 07

LEGEND:

52.0 | MEASUREMENT TO REPAIR FROM REFERENCE MH SHOWN THUS...

0.0

METRIC
WHOLE NUMBERS INDICATE MILLIMETRES
DECIMALIZED NUMBERS INDICATE METRES

B.M. ELEV.	FIELD BOOK #:	CITY OF WINNIPEG WATER AND WASTE ENGINEERING DIVISION		THE CITY OF WINNIPEG WATER AND WASTE DEPARTMENT	
POSTED TO LIS		DESIGNED BY: SC	CHECKED BY: SC	2010 SEWER RENEWALS BY CIPP LININGS, CONTRACT 12 BENTWOOD BAY (W LEG)	
		DRAWN BY: CJH	APPROVED BY: KZ	MH AT BENTWOOD BAY (N LEG) TO MH AT BENTWOOD BAY (S LEG)	
		HOR. SCALE: 1:500	RELEASED FOR CONSTRUCTION: KAS ZUREK	SHEET 16 OF 53	
		VERTICAL	DATE: 2010 07 06	CITY DRAWING NUMBER 9315	
NO.	REVISIONS	DATE	BY		