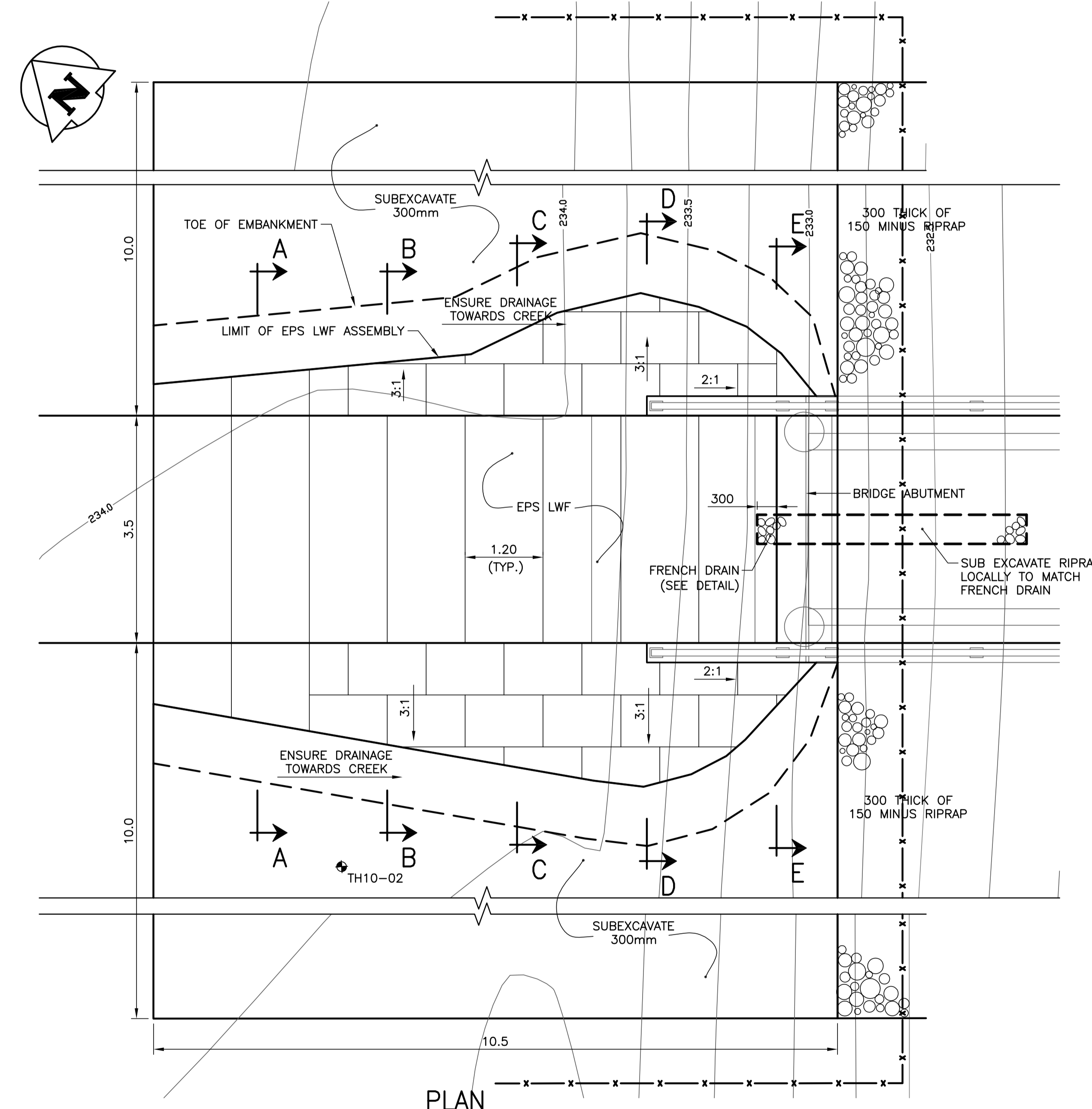
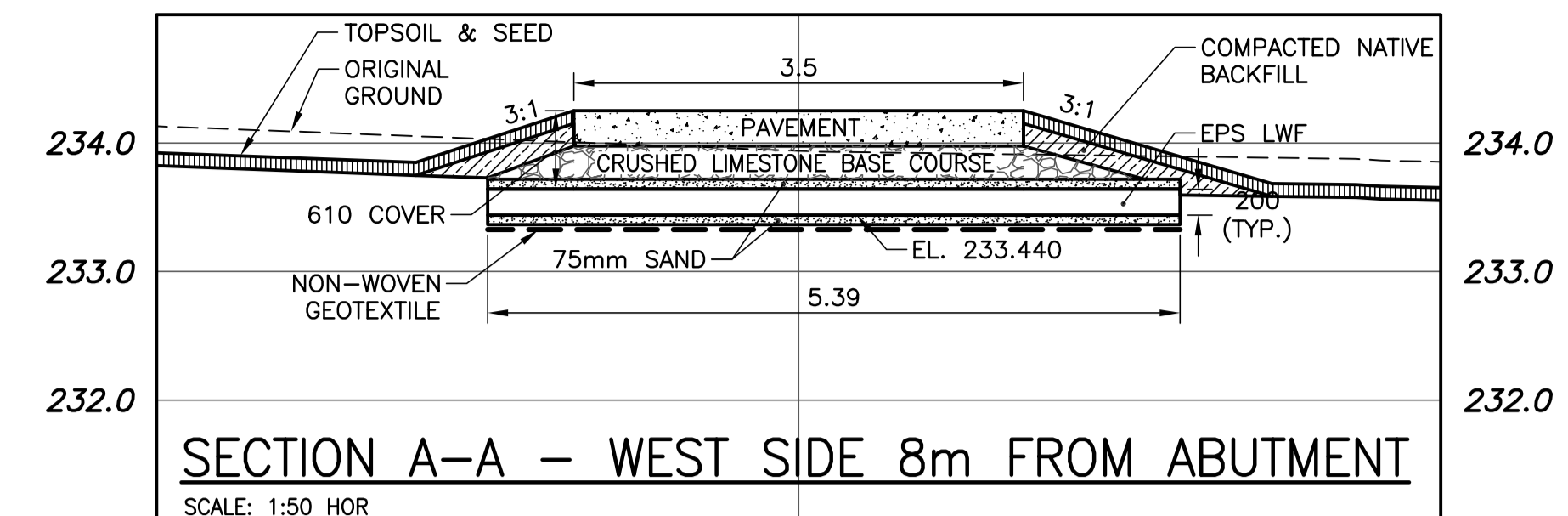


PROFILE
SCALE: 1:50 HOR

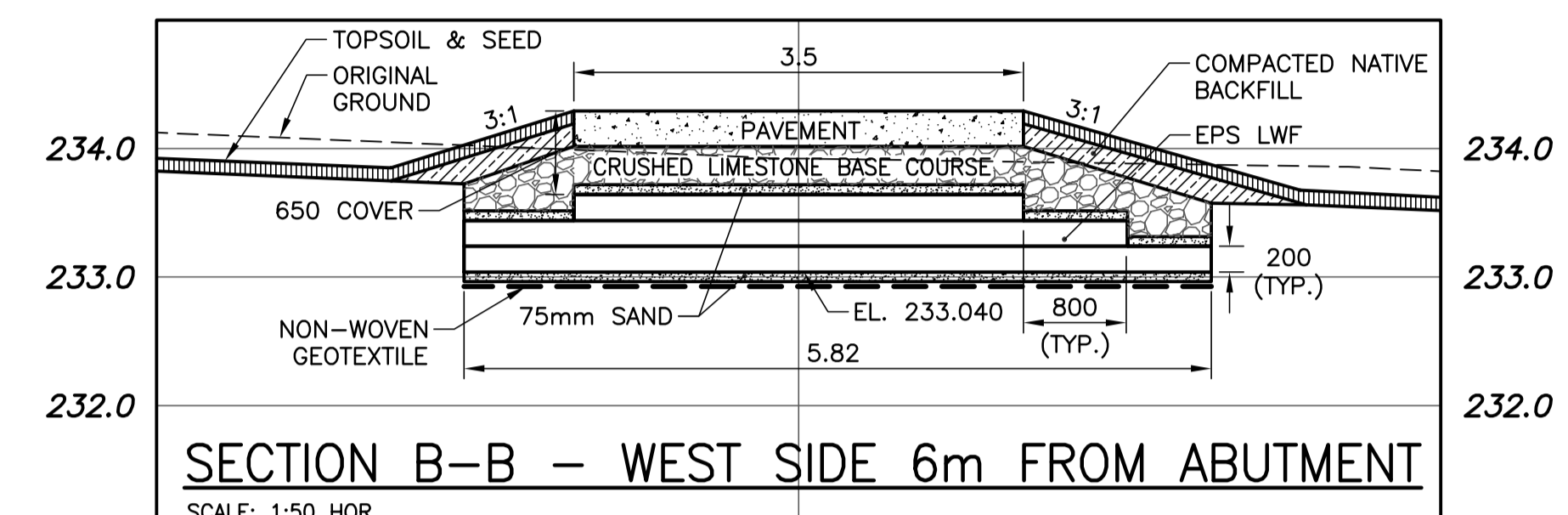
RIPRAP TO MATCH BOTTOM OF FRENCH DRAIN FOR WIDTH OF FRENCH DRAIN
300 THICK OF 150 MINUS RIPRAP



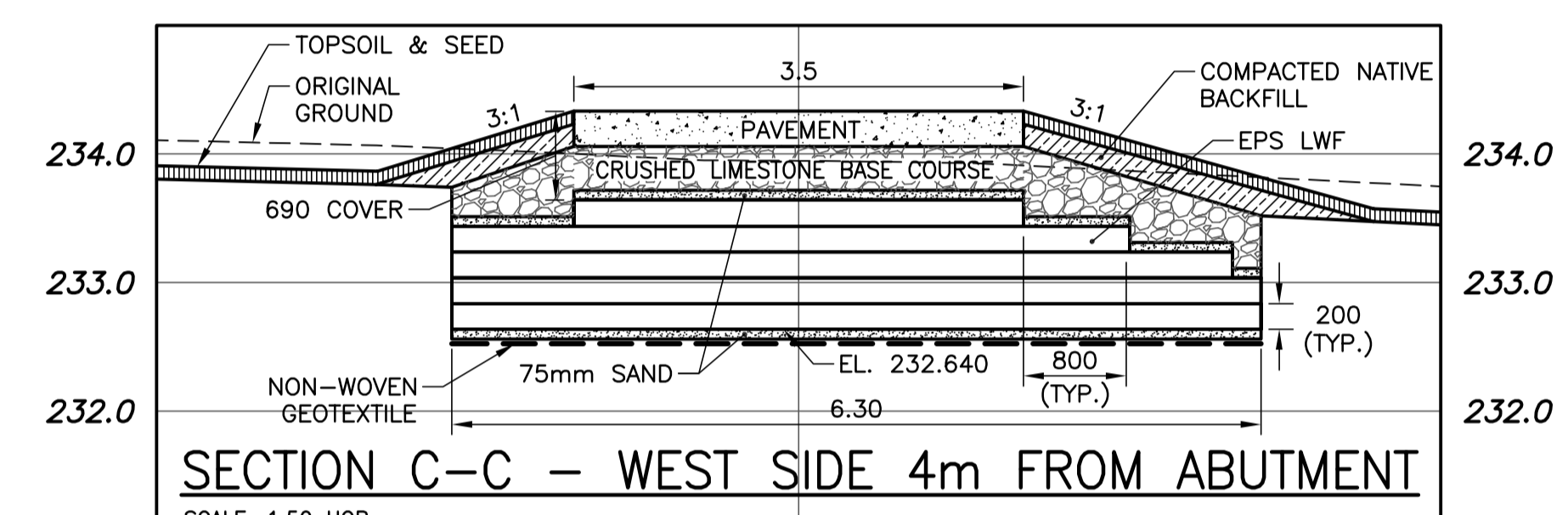
PLAN
SCALE: 1:50 HOR



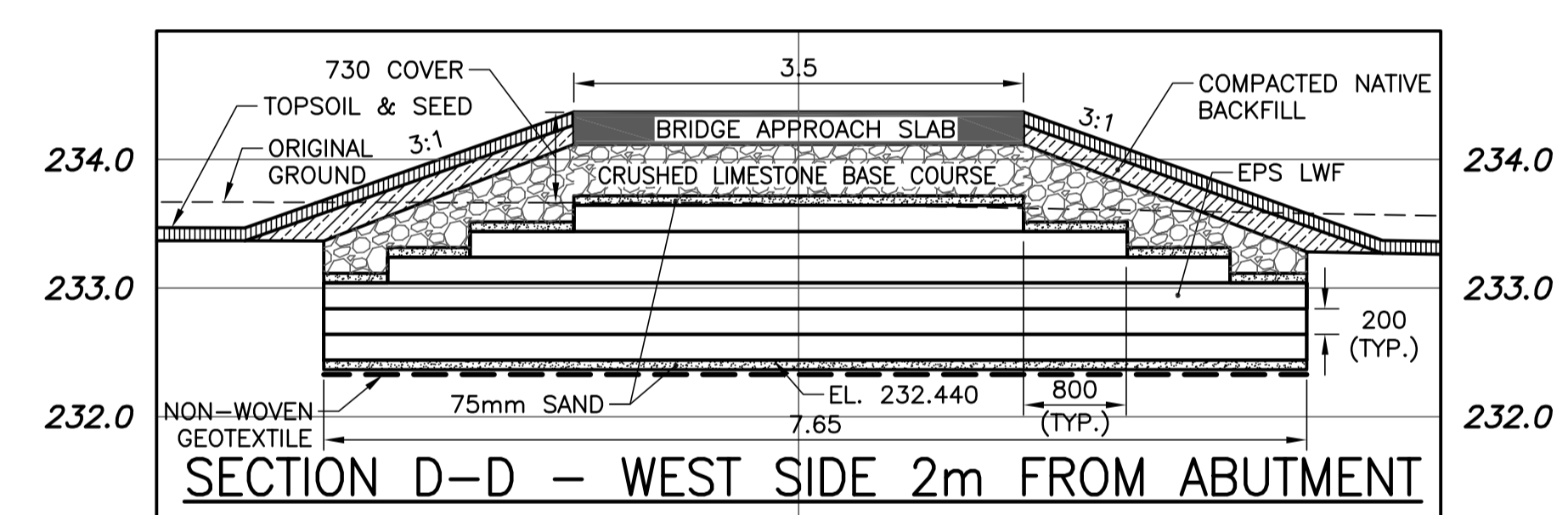
SECTION A-A - WEST SIDE 8m FROM ABUTMENT
SCALE: 1:50 HOR



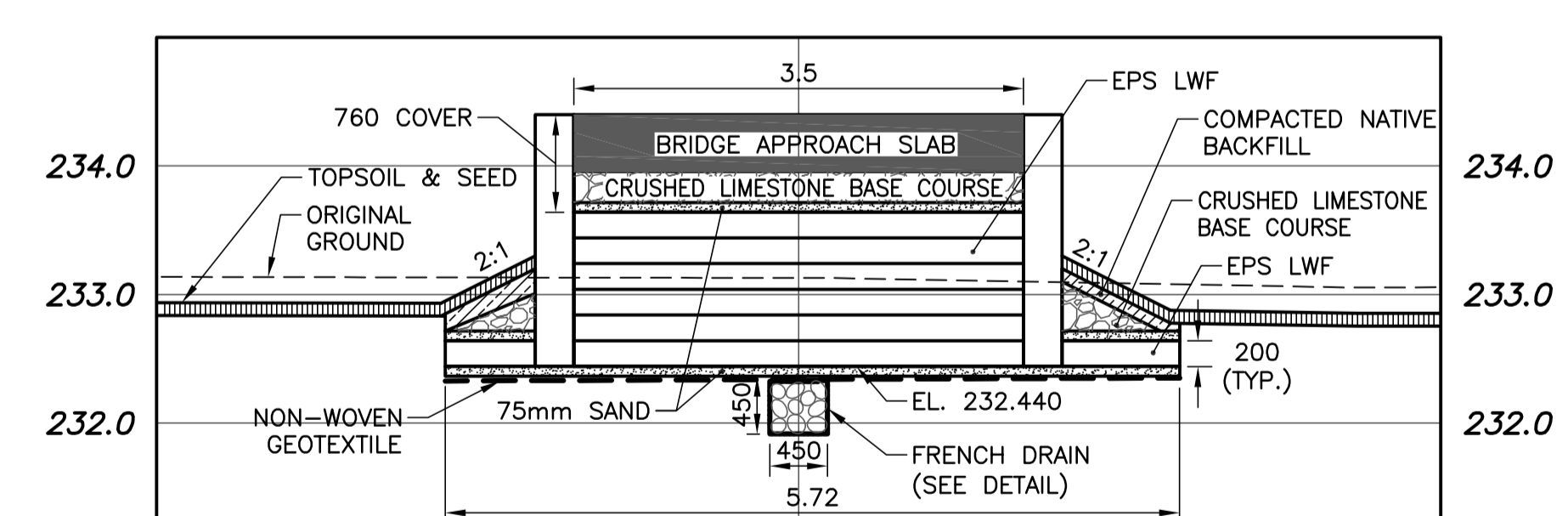
SECTION B-B - WEST SIDE 6m FROM ABUTMENT
SCALE: 1:50 HOR



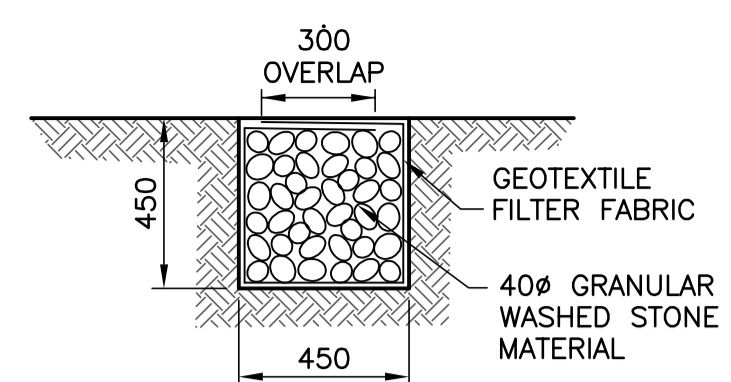
SECTION C-C - WEST SIDE 4m FROM ABUTMENT
SCALE: 1:50 HOR



SECTION D-D - WEST SIDE 2m FROM ABUTMENT
SCALE: 1:50 HOR



SECTION E-E - WEST SIDE AT ABUTMENT
SCALE: 1:50 HOR



FRENCH DRAIN DETAIL
SCALE: 1:20 HOR

- NOTES**
1. EPS LWF - EXPANDED POLYSTYRENE LIGHTWEIGHT FILL.
 2. PLACE TOPSOIL & SEED ON ALL EXCAVATED AREAS AND EMBANKMENT SLOPES.
 3. ALL EPS LWF SHALL BE ASHTO DESIGNATION EPS100. EPS LWF MATERIALS SHALL CONFORM TO ASTM C578 TESTING SPECIFICATIONS.
 4. EXCAVATION CONSTRUCTION SEQUENCE SHALL COMMENCE AT THE TOP OF THE BANK AND PROCEED DOWNSLOPE FOR BOTH BANKS.
 5. WHERE POSSIBLE, THE LONGEST DIMENSION OF THE EPS LWF WILL BE PLACED PERPENDICULAR TO THE DIRECTION OF THE PATHWAY.
 6. EPS LWF BLOCKS SHALL HAVE A MINIMUM COVER OF 600mm INCLUDING PAVEMENT.
 7. NO MATERIAL SHALL BE STOCKPILED WITHIN 50m OF THE TOP OF THE BANK.
 8. THE SMALLEST DIMENSIONS OF THE EPS LWF BLOCKS SHALL BE 0.2m THICK BY 1.2m WIDE. EPS LWF BLOCK SHALL HAVE A MINIMUM LENGTH OF 2.44m.
 9. PUMP OUT EXCAVATION AS NECESSARY TO ENSURE THAT EXCAVATED FOUNDATION FOR EPS LWF IS DRY AND ABSENT OF STANDING WATER.
 10. PLACE NON-WOVEN GEOTEXTILE UNDER EPS SAND BEDDING AND RIPRAP.
 11. CONSTRUCT FRENCH DRAIN IN ACCORDANCE WITH CW 3120. OMIT DRAINAGE PIPE.

PROPERTY LIMITS DELINEATION

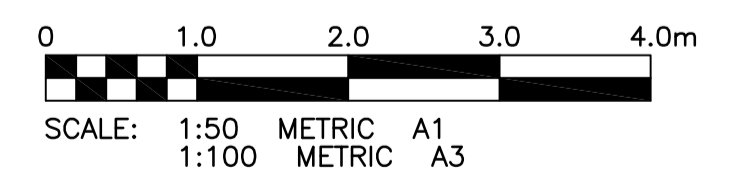
DELINEATION OF PROPERTY LIMITS AS SHOWN ON THIS DWG DOES NOT REPRESENT A "LEGAL SURVEY". KGS GROUP MAKES NO REPRESENTATION OR WARRANTY AS TO THE ACCURACY OF PROPERTY LIMITS DELINEATED ON THIS DWG, NOR ON THE DIMENSIONAL ACCURACY OF DWG FEATURES RELATIVE TO THOSE PROPERTY LIMITS.

WARNING

1. NOTIFY THE GAS COMPANY OF THE PROPOSED LOCATION OF EXCAVATION.
2. TAKE PRECAUTION TO AVOID DAMAGE TO GAS COMPANY INSTALLATIONS.
3. SEE PROVINCIAL REGULATION 210/72 FOR DETAILS.

METRIC

WHOLE NUMBERS INDICATE MILLIMETRES
DECIMALIZED NUMBERS INDICATE METRES



APCGM
Certificate of Authorization
KGS Group
No. 245 Date: _____

P:\Projects\2009-09-01-21\DWG\Mun_09-0107-21_CALL.dwg - Tab: C34 Plotted By: Gloewen 05/04/2010 [Tue 8:42am]

150 WM	WATERMAIN	150 WM	HYDRO	150 WM	WATERMAIN
⊕	HYDRANT	⊕	M.T.S.	⊕	HYDRANT, VALVE
⊗	VALVE	⊗	CONCRETE	⊗	LAND DRAINAGE SEWER
⊙	LAND DRAINAGE SEWER	⊙	ASPHALT	⊙	WASTE WATER SEWER
⊚	WASTE WATER SEWER	⊚	SIDEWALK	⊚	Q. PROFILE
○	MANHOLE	○	KGS TEST HOLE	□	NORTH/WEST GUTTER
□	CATCH BASIN	□	PROPERTY LINE	○	SOUTH/EAST GUTTER
▽	CURB INLET	▽	SURVEY BAR	◇, ○	N/W, S/E B'S
+	JUNCTIONS	+	DITCH	△, ○	N/W, S/E TOP/CURB
—	CULVERT	—	ELEVATION	△	NORTH/WEST DITCH
---	GAS	---		▽	SOUTH/EAST DITCH
---	EXISTING	---	LEGEND-PLAN	---	LEGEND-PROFILE
---	PROPOSED	---	EXISTING	---	PROPOSED

LOCATION APPROVED UNDERGROUND STRUCTURES

SUPV. U/G STRUCTURES COMMITTEE DATE _____

NOTE:
LOCATION OF UNDERGROUND STRUCTURES AS SHOWN ARE BASED ON THE BEST INFORMATION AVAILABLE BUT NO GUARANTEE IS GIVEN THAT ALL EXISTING UTILITIES ARE SHOWN OR THAT THE GIVEN LOCATIONS ARE EXACT. CONFIRMATION OF EXISTENCE AND EXACT LOCATION OF ALL SERVICES MUST BE OBTAINED FROM THE INDIVIDUAL UTILITIES BEFORE PROCEEDING WITH CONSTRUCTION.

B.M. 39-032
ELEV. 238.871m

S.W. Cor. Moray St. & Silver Ave., Tblt. in N. Conc. foundation No. 65 Moray Village, 3m W. & 0.1m below brick of N.E. Cor. of apartment unit.

KGS GROUP CONSULTING ENGINEERS
SCATLIFF + MILLER + MURRAY INC.
TEL: 204-944-1044 FAX: 204-944-1043 21-10 WINDY HILLS WINNIPEG, MB. CANADA

DESIGNED BY: JDF
DRAWN BY: GEL
HOR. SCALE: 1:50
VERTICAL: 1:50

CHECKED BY: _____
APPROVED BY: _____
RELEASED FOR CONSTRUCTION: _____
DATE: 10/04/06

ENGINEER'S SEAL

PROVINCE OF MANITOBA
J.D. FRIESEN
Member 23875
REGISTERED PROFESSIONAL ENGINEER

CONSULTANT DRAWING NO.
09-0107-21_C34

THE CITY OF WINNIPEG PUBLIC WORKS DEPARTMENT

PROJECT TITLE
2010 ACTIVE TRANSPORTATION / INFRASTRUCTURE STIMULUS PROGRAM

SHEET **34** OF **35**

COMPUTER FILE NAME
09-0107-21_CALL

CITY DRAWING NUMBER
34

TRURO CREEK BRIDGE WEST EMBANKMENT