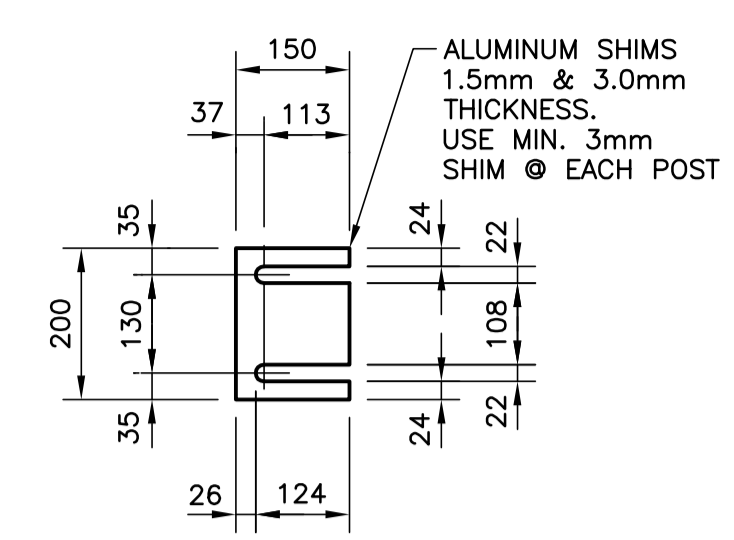
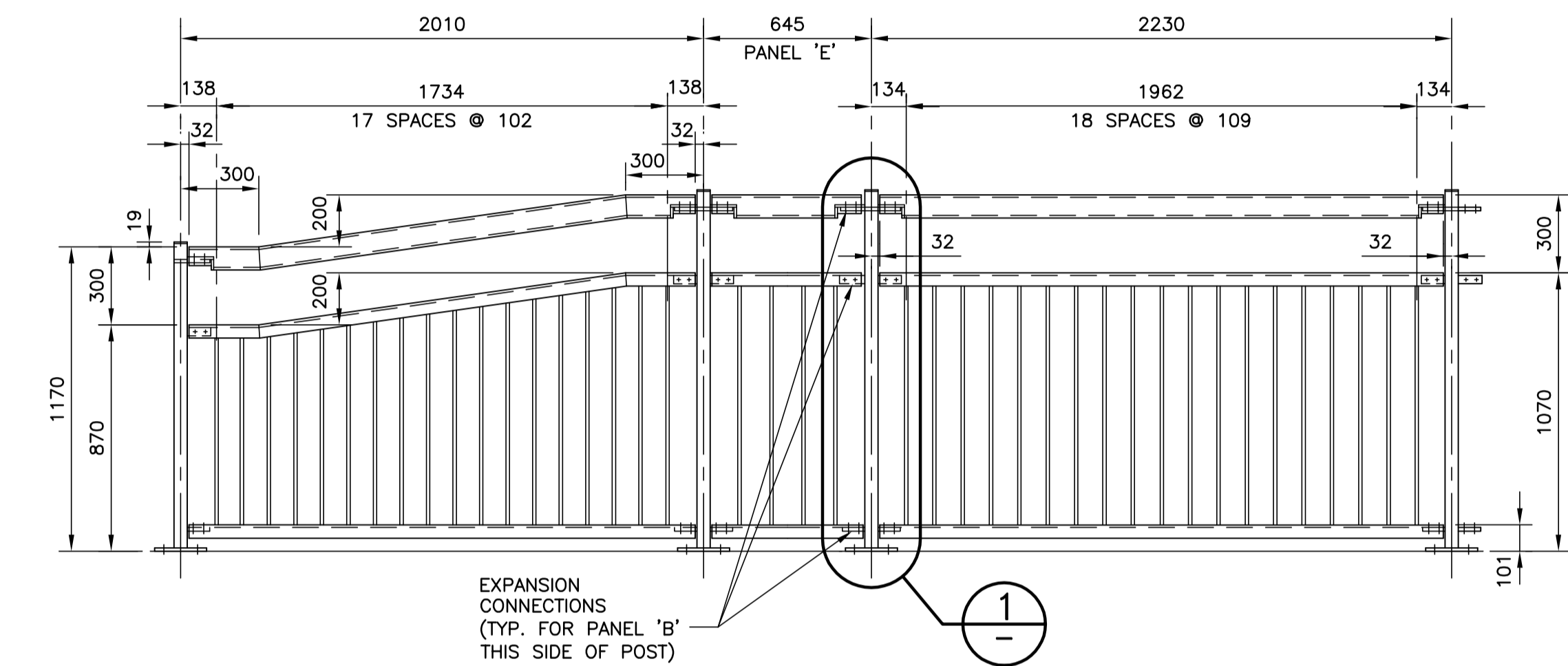


ELEVATION - PEDESTRIAN HANDRAIL (LOOKING NORTHEAST)
SCALE: 1:50
NORTHEAST SIDE OF BRIDGE

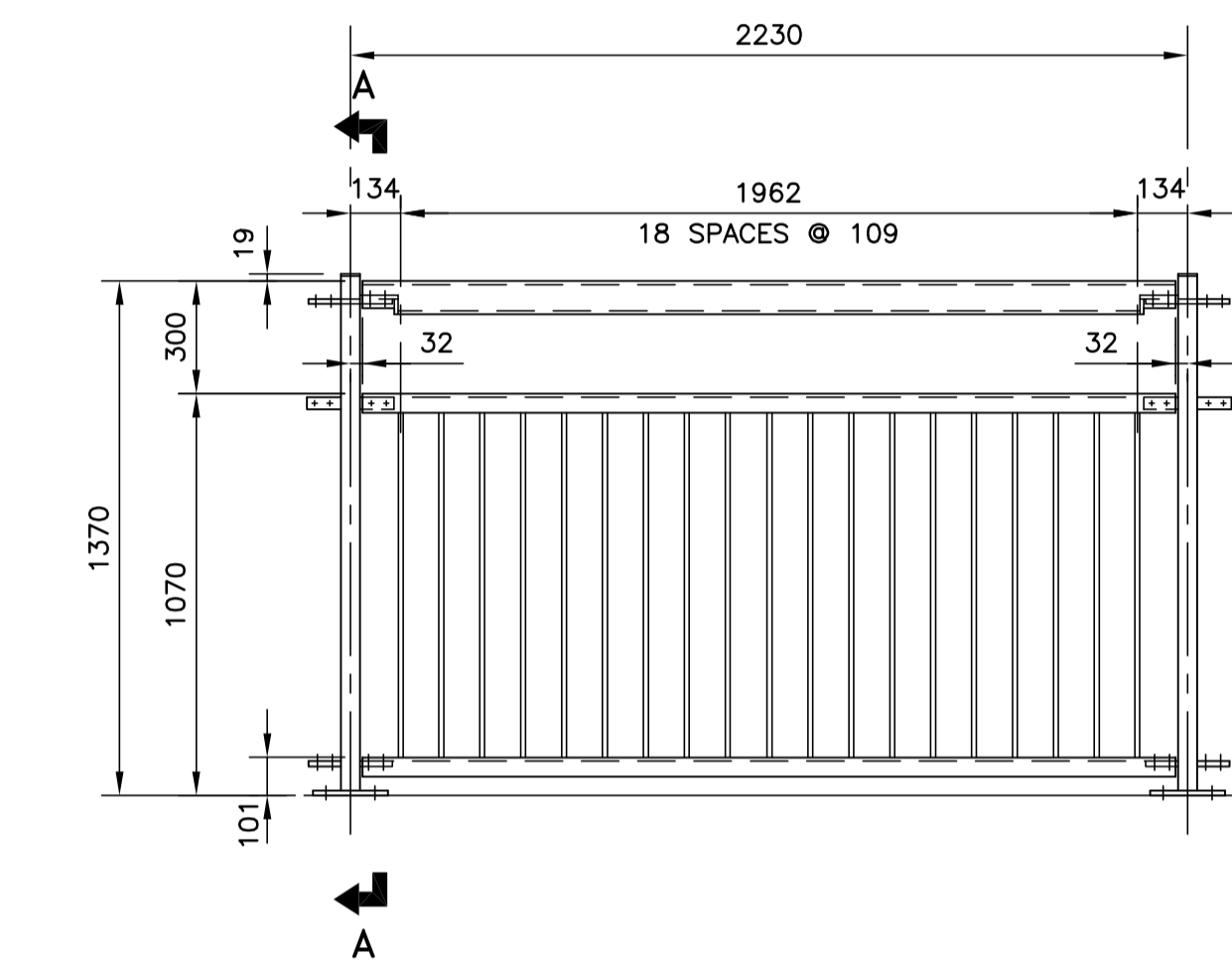


PEDESTRIAN POST SHIM
SCALE: 1:10

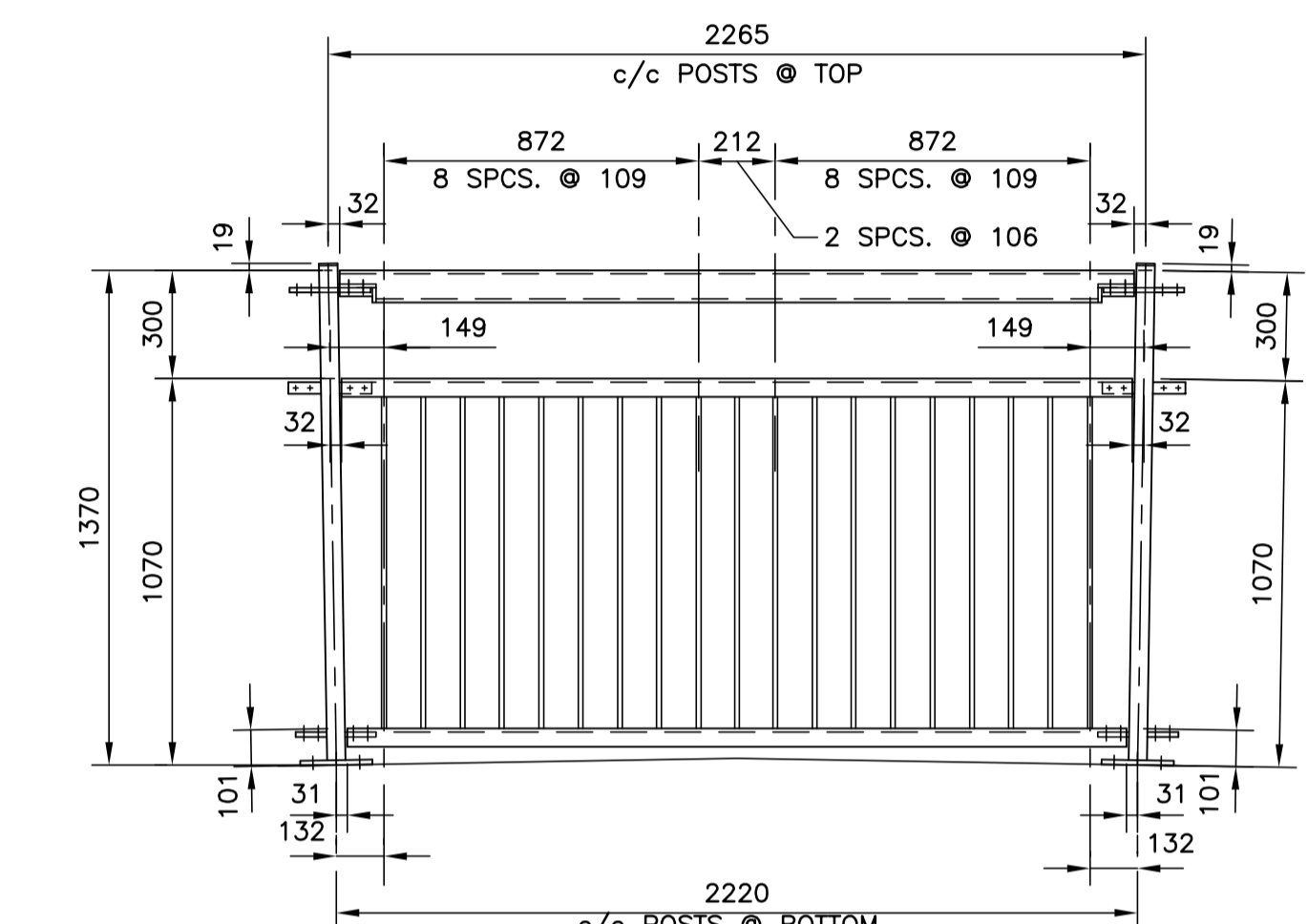
- NOTES:**
- ALUMINUM ALLOY EXTRUDED BAR AND SHAPES SHALL CONFORM TO THE REQUIREMENTS OF ASTM B221M-83 ALLOY 6061-T6 OR ALLOY 6351-T6.
 - ALUMINUM ALLOY SHEET AND PLATE SHALL CONFORM TO THE REQUIREMENTS OF ASTM B209M-83 ALLOY 6061-T6 OR ALLOY 6351-T6.
 - ALUMINUM FILLER ALLOYS FOR WELDED CONSTRUCTION SHALL BE ONE OF THE FOLLOWING: ER4043, ER5183, ER5356, ER5554, ER5556, AND ER5654.
 - DRILL AND TAP HOLES FOR STAINLESS STEEL FLAT HEAD SOCKET CAP SCREWS.
 - INSTALL STAINLESS STEEL CAP SCREWS THROUGH ENTIRE THICKNESS OF ADJOINING MEMBER, THEN CUT AND GRIND FLUSH.



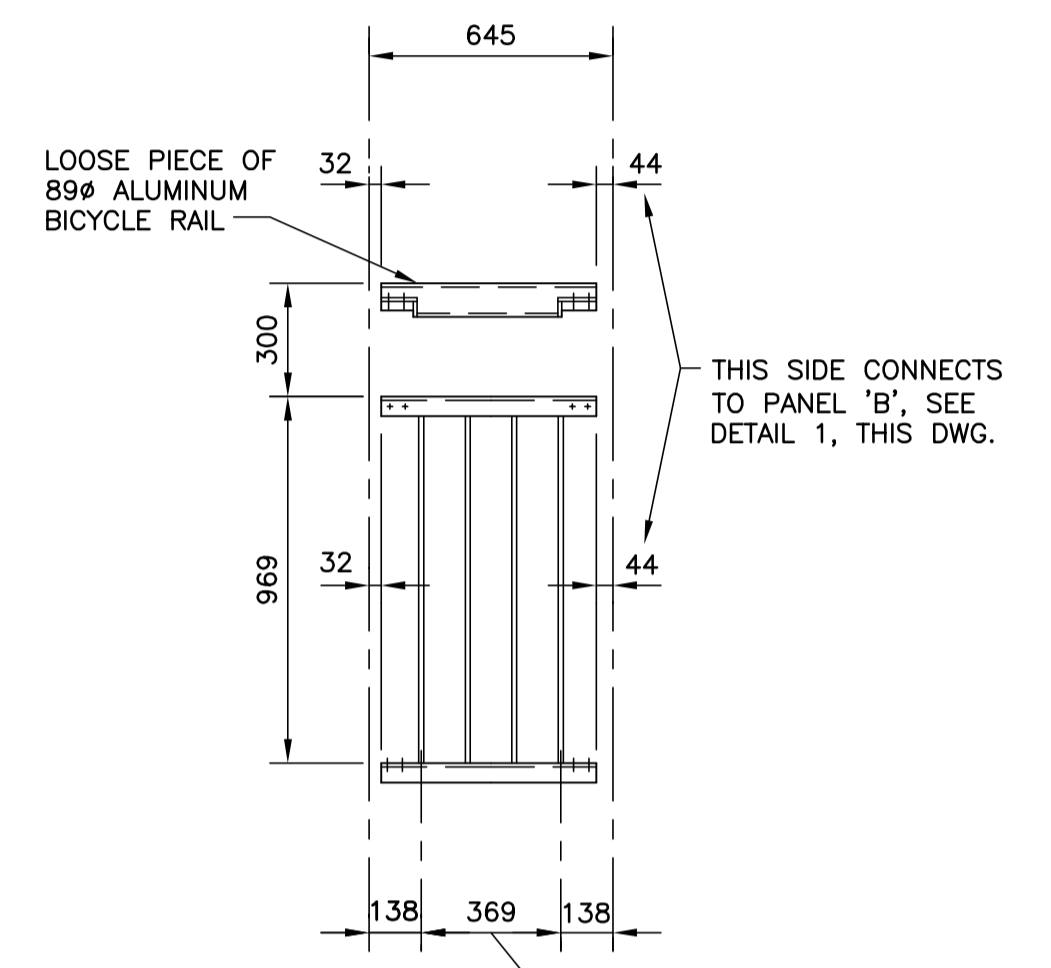
PANEL 'A' (4 REQUIRED)
SCALE: 1:20



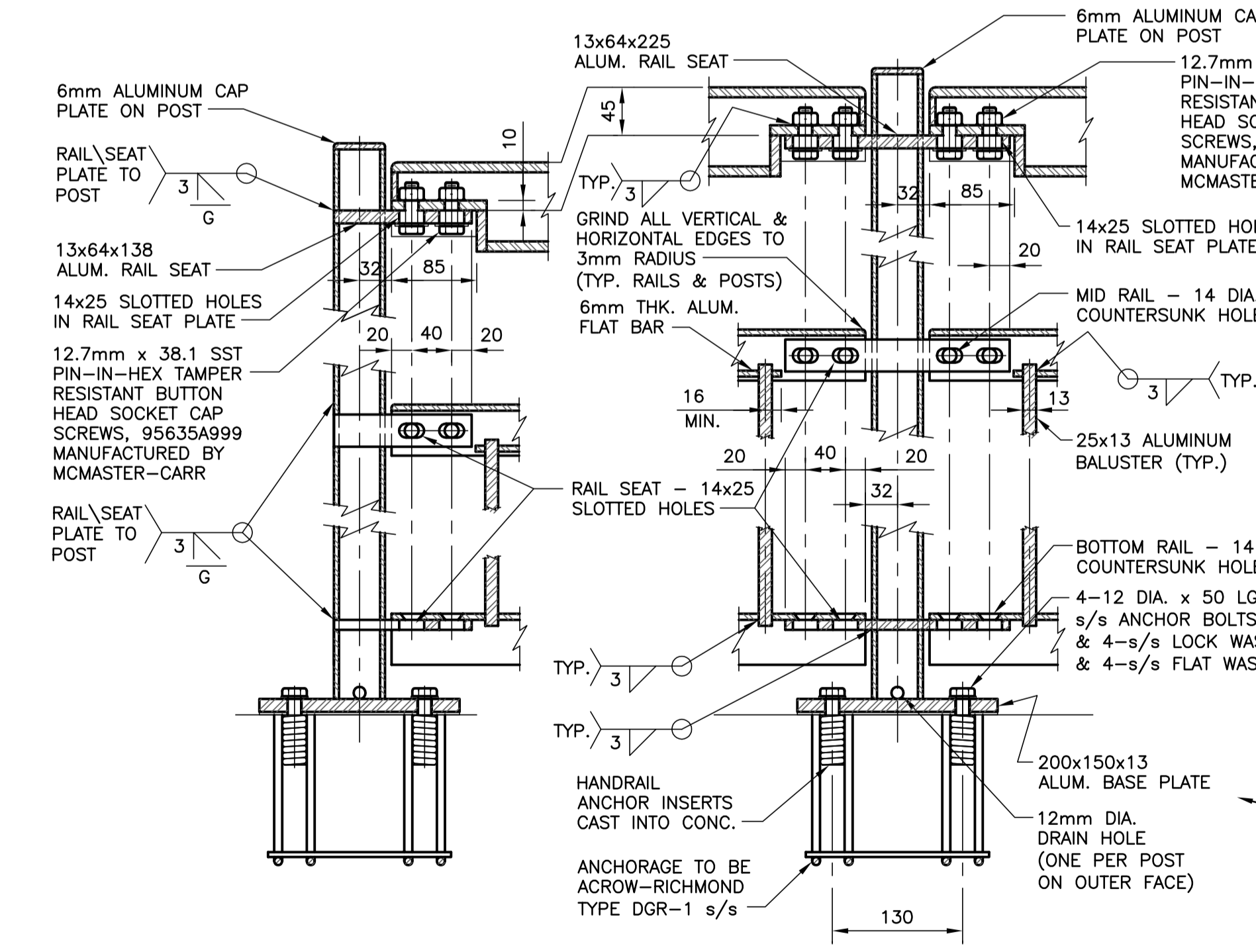
PANEL 'B' (4 REQUIRED)
SCALE: 1:20



PANEL 'C' (8 REQUIRED)
SCALE: 1:20

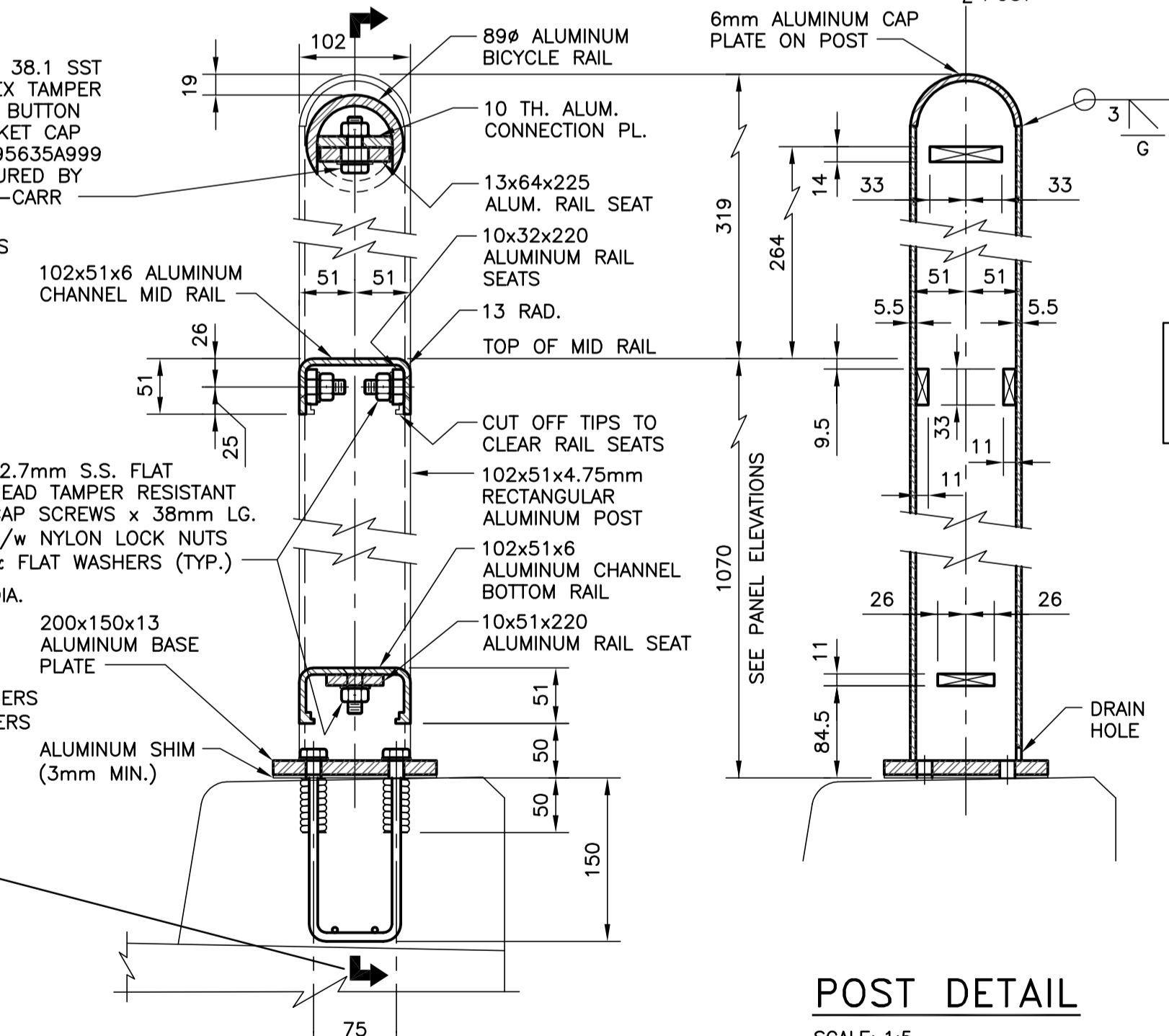


PANEL 'E' (4 REQUIRED)
SCALE: 1:20

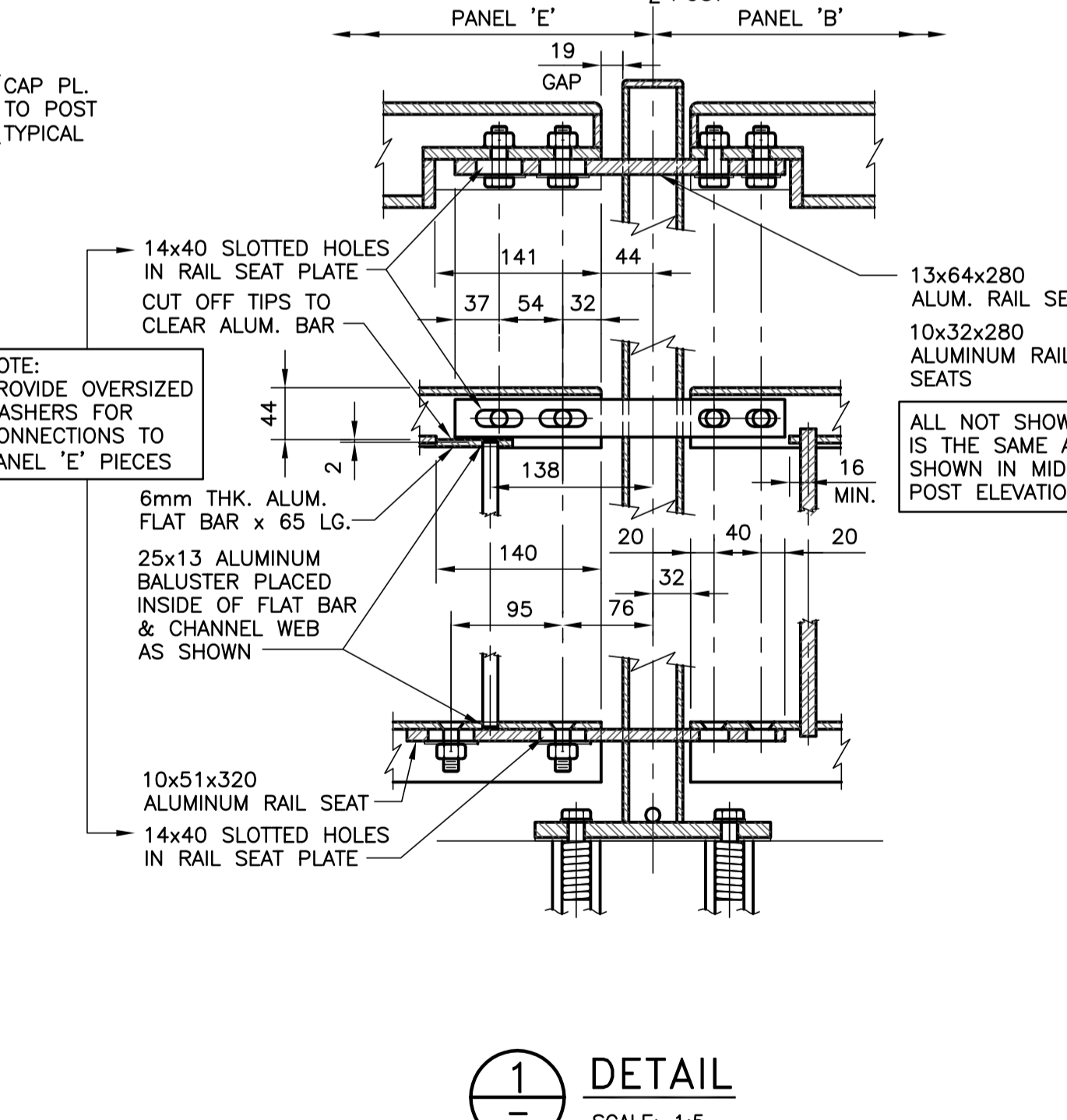


ELEVATION - END POST
SCALE: 1:5
(TYPICAL FOR PANEL 'A' - 4 POSTS TOTAL)

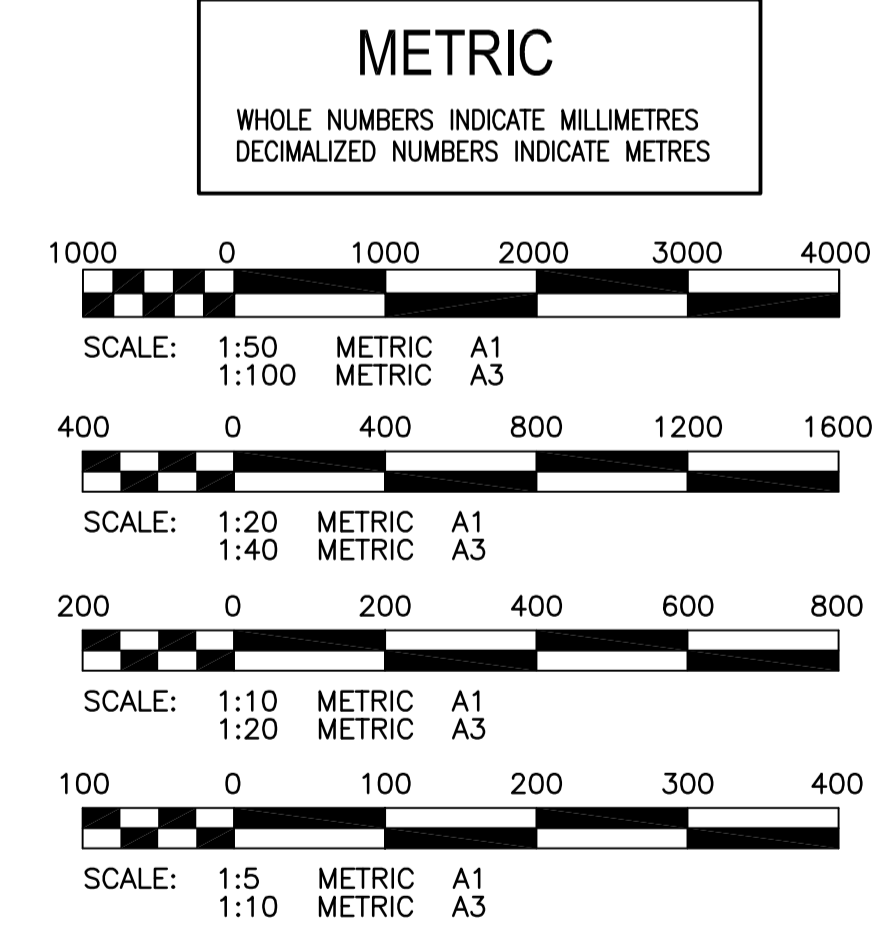
ELEVATION - MID POST
SCALE: 1:5
(TYPICAL EXCEPT FOR POST CONNECTIONS AT PANEL 'E'. SEE DETAIL '1' FOR DETAILS)



SECTION A-A
SCALE: 1:5



1 DETAIL
SCALE: 1:5
(TYPICAL FOR PANEL 'B', AT PANEL 'E' LOCATIONS)



POST DETAIL
SCALE: 1:5
(SHOWING SLOTS FOR RAIL SEATS & CAP PLATE WELDING TO HSS)

P:\Projects\2009\09-0107-21\Drawings\Struct\Addendum1 Dwg\09-0107-21-32.Rev.1.dwg - Tab: 32 Plotted By: clocwen 05/13/2010 [Thu 9:43am]

APCGM
Certificate of Authorization
KGS Group
No. 245 Date: 10/05/03

| | |
|---------------|--------------------------------|
| B.M. | XX-XXX |
| ELEV. | XXX.XXX |
| DESIGNED BY | RJL |
| DRAWN BY | JF |
| SCALE: | AS NOTED |
| DATE | 10/03/29 |
| 1 | ISSUED FOR ADDENDUM 1 10/05/13 |
| 0 | ISSUED FOR TENDER 10/05/03 RJL |
| NO. REVISIONS | DATE BY |

KGS GROUP CONSULTING ENGINEERS
SCATLIFF + MILLER + MURRAY INC.
ENGINEER'S SEAL
R.J. LONG
PROVINCIAL REGISTERED PROFESSIONAL ENGINEER
DESIGNED BY RJL CHECKED BY
DRAWN BY JF APPROVED BY
RELEASED FOR CONSTRUCTION:
DATE 10/03/29 DATE

CONSULTANT DRAWING NO.
295-2010 B238-10-06

THE CITY OF WINNIPEG PUBLIC WORKS DEPARTMENT
Winnipeg
2010 ACTIVE TRANSPORTATION / INFRASTRUCTURE STIMULUS PROGRAM
TRURO CREEK BRIDGE ALUMINUM PEDESTRIAN HANDRAIL
SHEET 32 OF 35
CAD FILE DRAWING NUMBER 09-0107-21-32
CITY DRAWING NUMBER B238-10-06