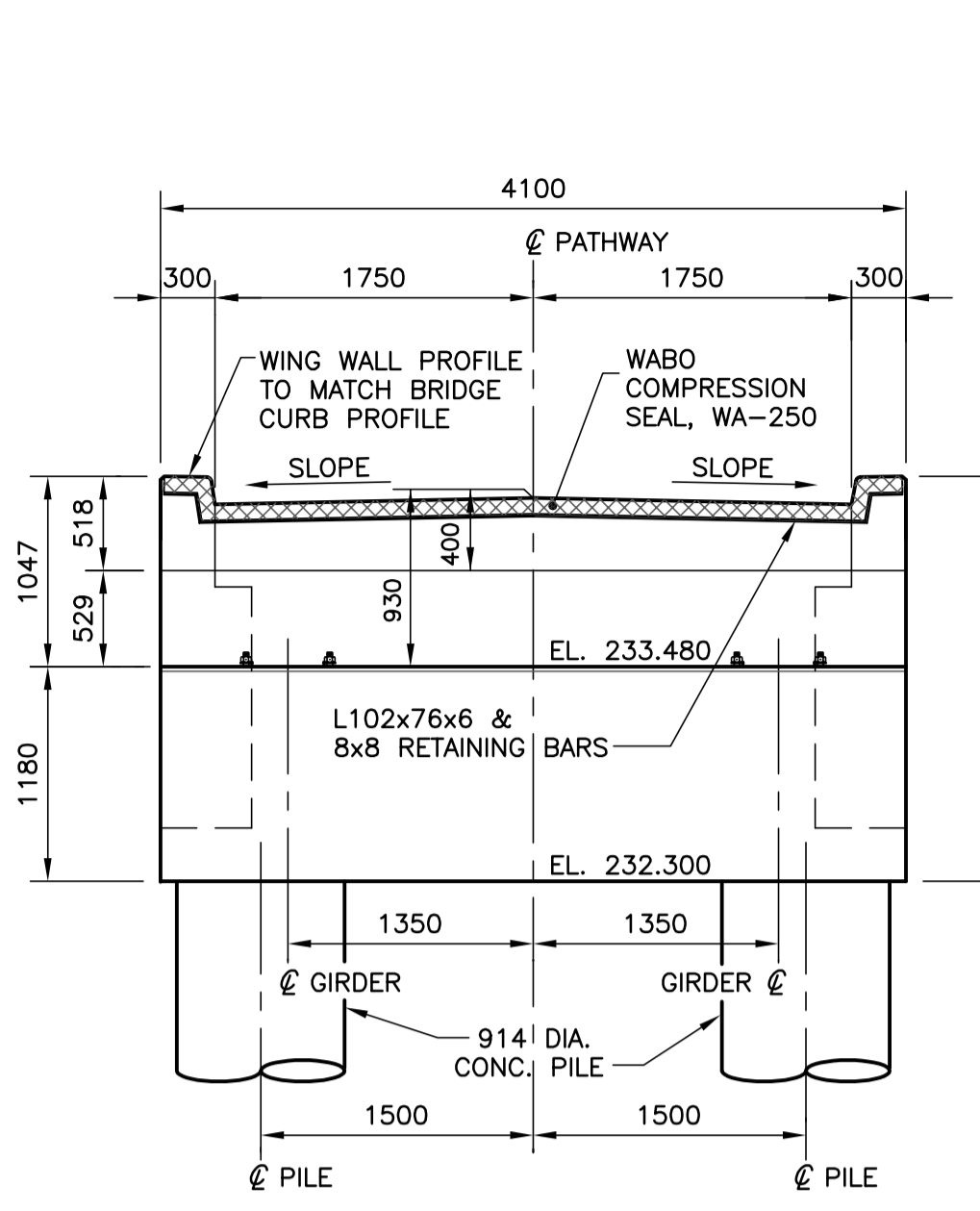
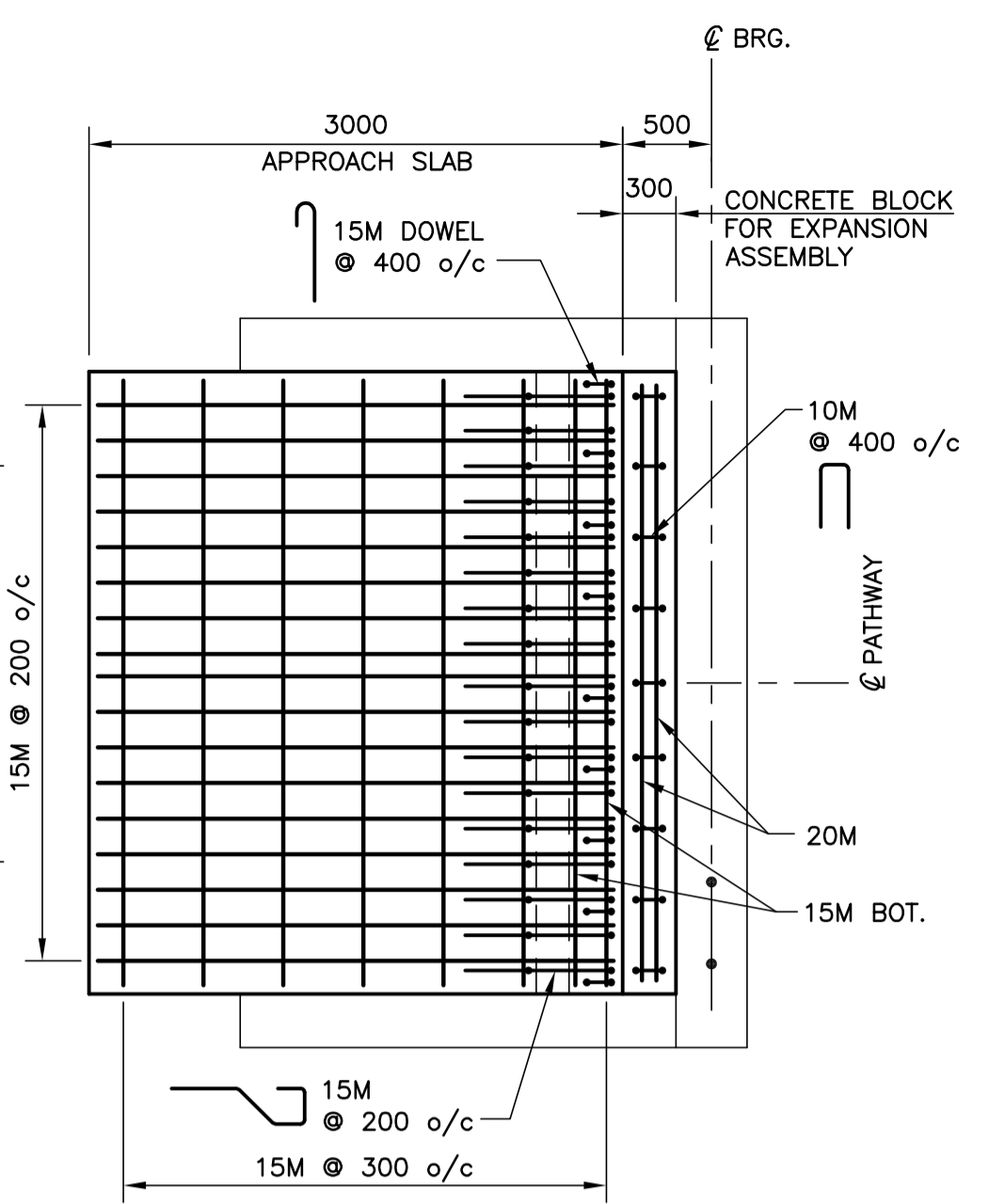


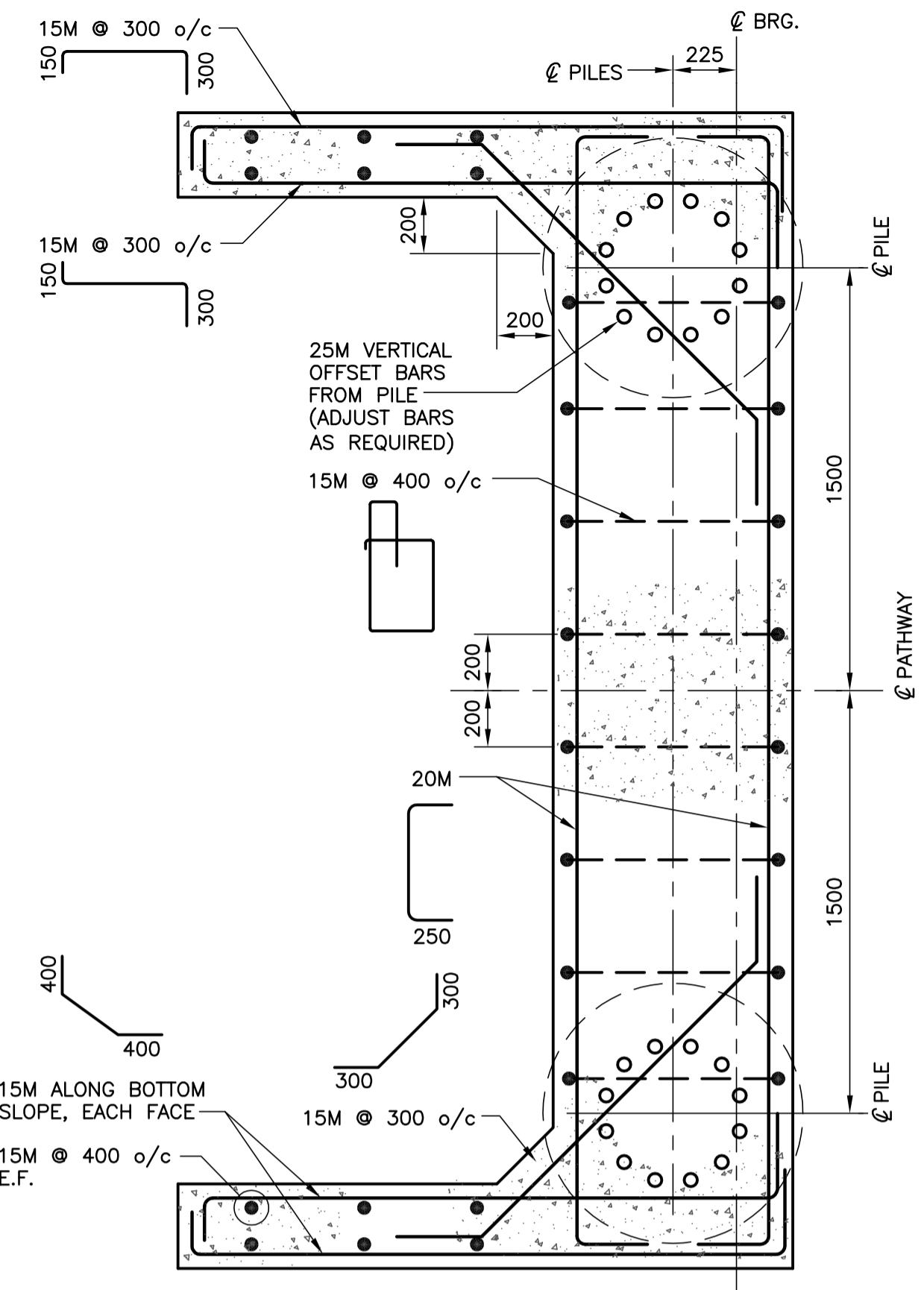
**EXPANSION END PLAN - ABUTMENT, WING-WALLS & APPROACH SLAB**  
SCALE: 1:40



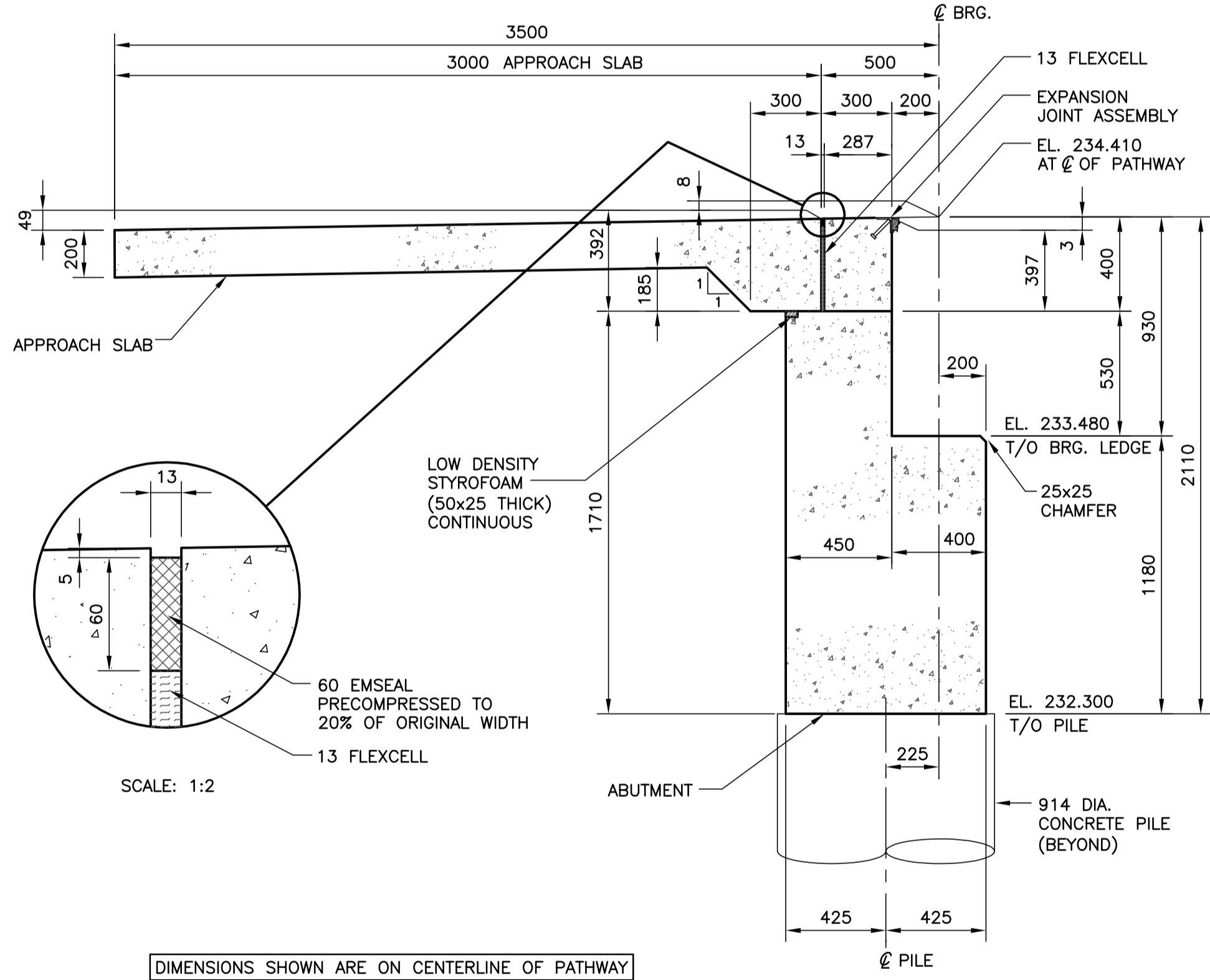
**ELEVATION D-D**  
SCALE: 1:40



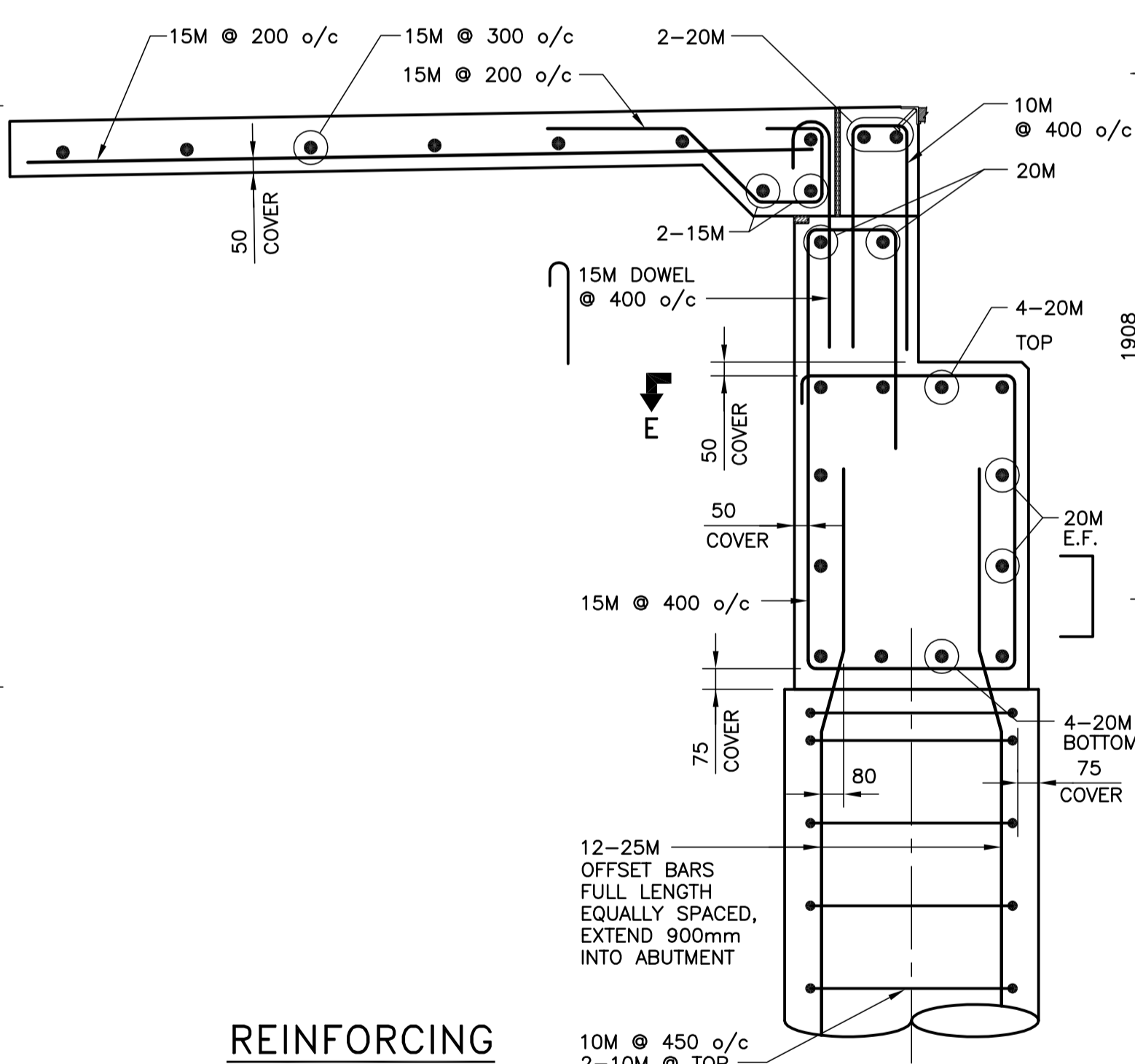
**REINFORCING PLAN - APPROACH SLAB**  
SCALE: 1:40



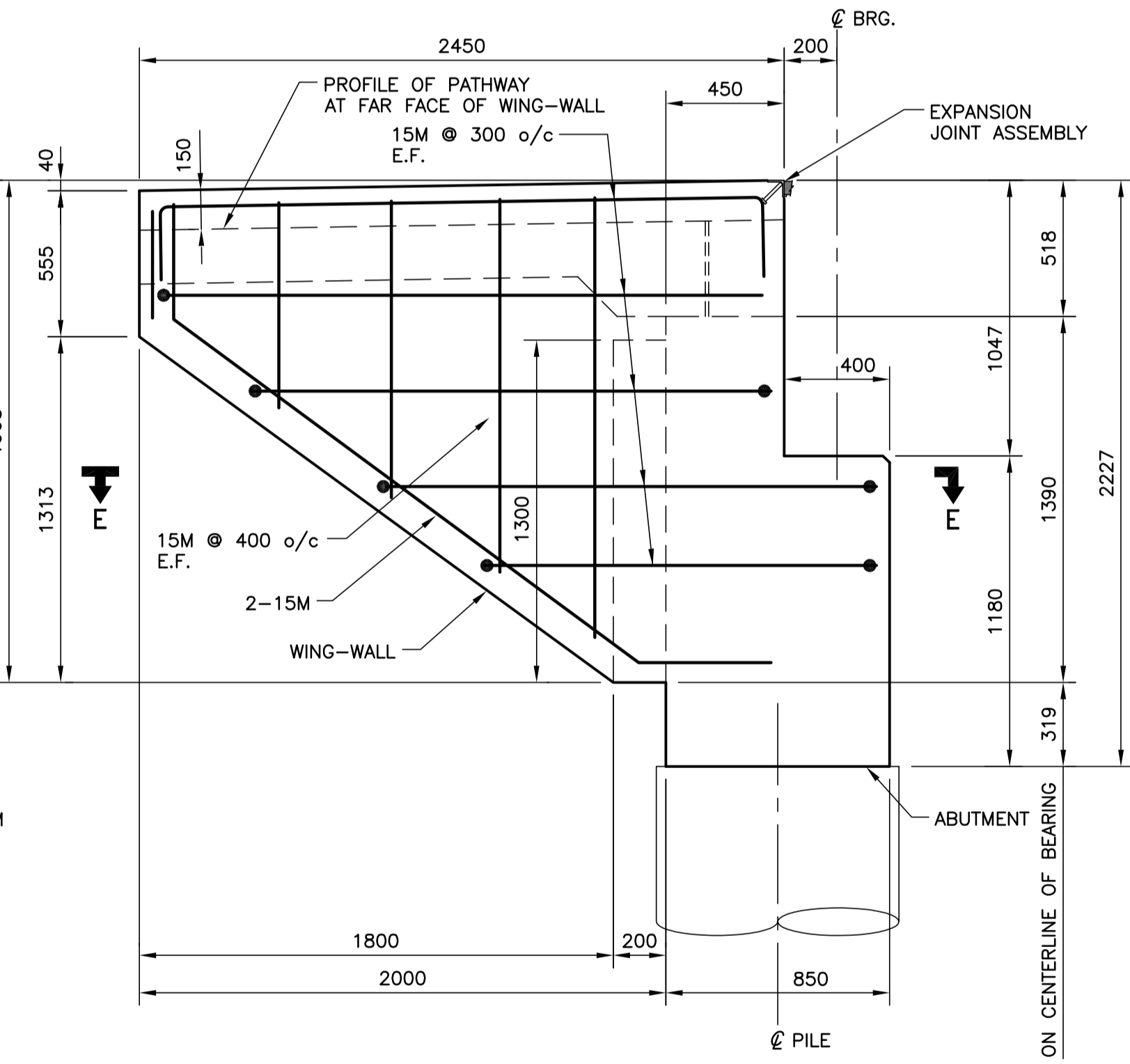
**SECTION E-E**  
SCALE: 1:20



**CONCRETE SECTION A-A**  
SCALE: 1:20

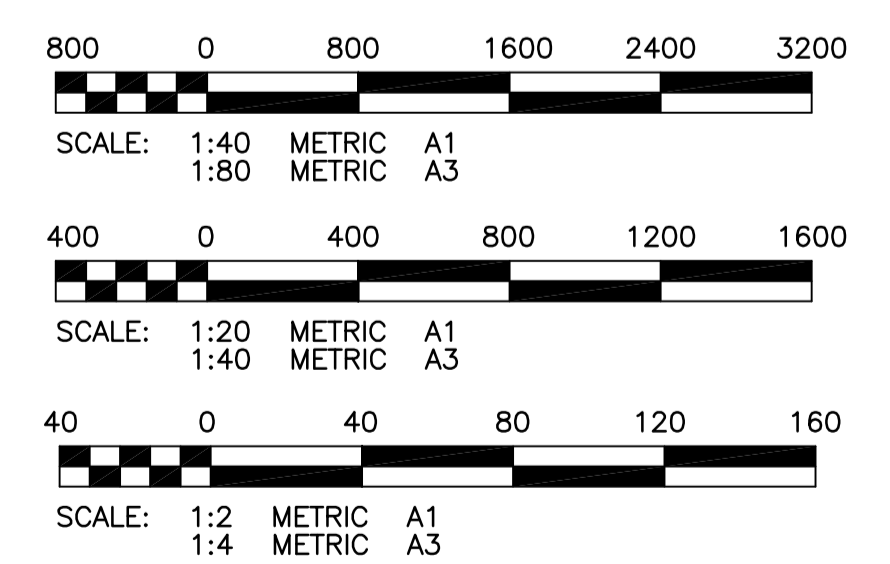


**REINFORCING SECTION A-A**



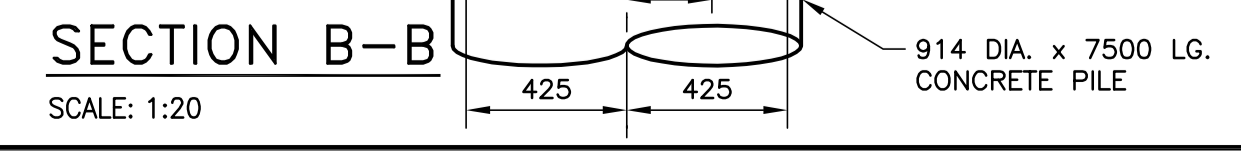
**ELEVATION C-C - WING-WALL**  
SCALE: 1:20

**METRIC**  
WHOLE NUMBERS INDICATE MILLIMETRES  
DECIMALIZED NUMBERS INDICATE METRES



P:\Projects\2009\09-0107-21\Drawings\Struct\Addendum1 Dwg\Struct\Addendum1.dwg - Tab: 29 Plotted By: Glaeswen 05/13/2010 [Thu 9:40am] COWLEND

DRILL & EPOXY GROUT  
30mm DIA. ANCHOR BOLT  
c/w HEAVY HEX NUT, FLAT  
WASHER & 80 THREAD (GALV.)  
6 REQUIRED  
FOR LOCATIONS SEE ABUTMENT  
PLAN ON THIS DRAWING.



**SECTION B-B**  
SCALE: 1:20

**APEGM**  
Certificate of Authorization  
KGS Group  
No. 245 Date: 10/05/03

B.M.	XX-XXX				
ELEV.	XXX.XXX				
DESIGNED BY	RJL	CHECKED BY			
DRAWN BY	JF	APPROVED BY			
SCALE:	AS NOTED	RELEASED FOR CONSTRUCTION:			
NO. REVISIONS	DATE	BY	DATE		
1	10/05/13				
0	10/05/03	RJL			
			10/03/15		

**KGS GROUP**  
CONSULTING ENGINEERS  
SCATLUFF+MILLER+MURRAY Inc.  
15-16 WILMOT STREET  
WINNIPEG, MB, CANADA

ENGINEER'S SEAL  
**R.J. LONG**  
REGISTERED PROFESSIONAL ENGINEER  
CONSULTANT DRAWING NO.  
295-2010 B238-10-03

**THE CITY OF WINNIPEG**  
PUBLIC WORKS DEPARTMENT  
2010 ACTIVE TRANSPORTATION /  
INFRASTRUCTURE STIMULUS PROGRAM  
TRURO CREEK BRIDGE  
ABUTMENT AND APPROACH SLAB  
SHEET 29 OF 35  
CAD FILE: DRAWING NUMBER  
09-0107-21-29  
CITY DRAWING NUMBER  
B238-10-03