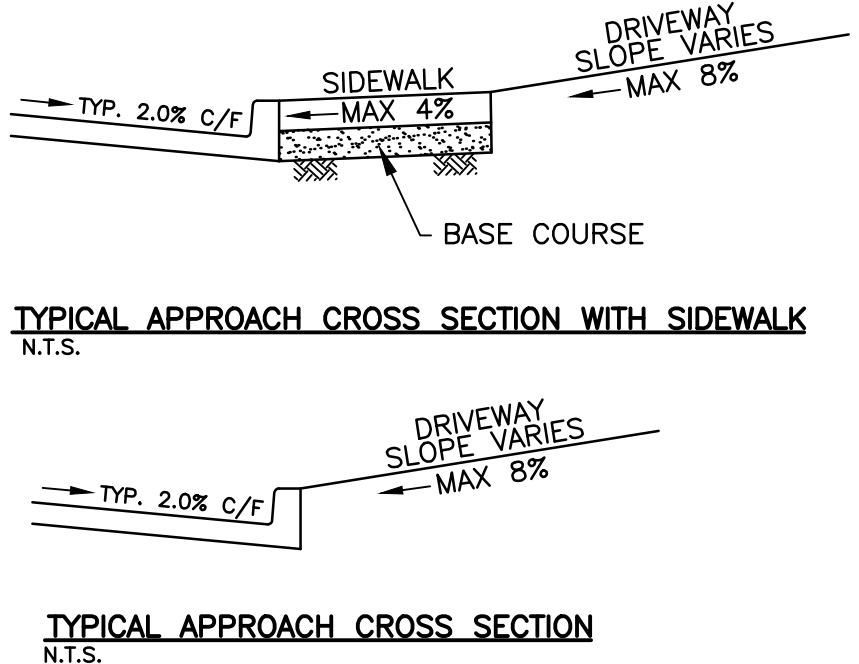
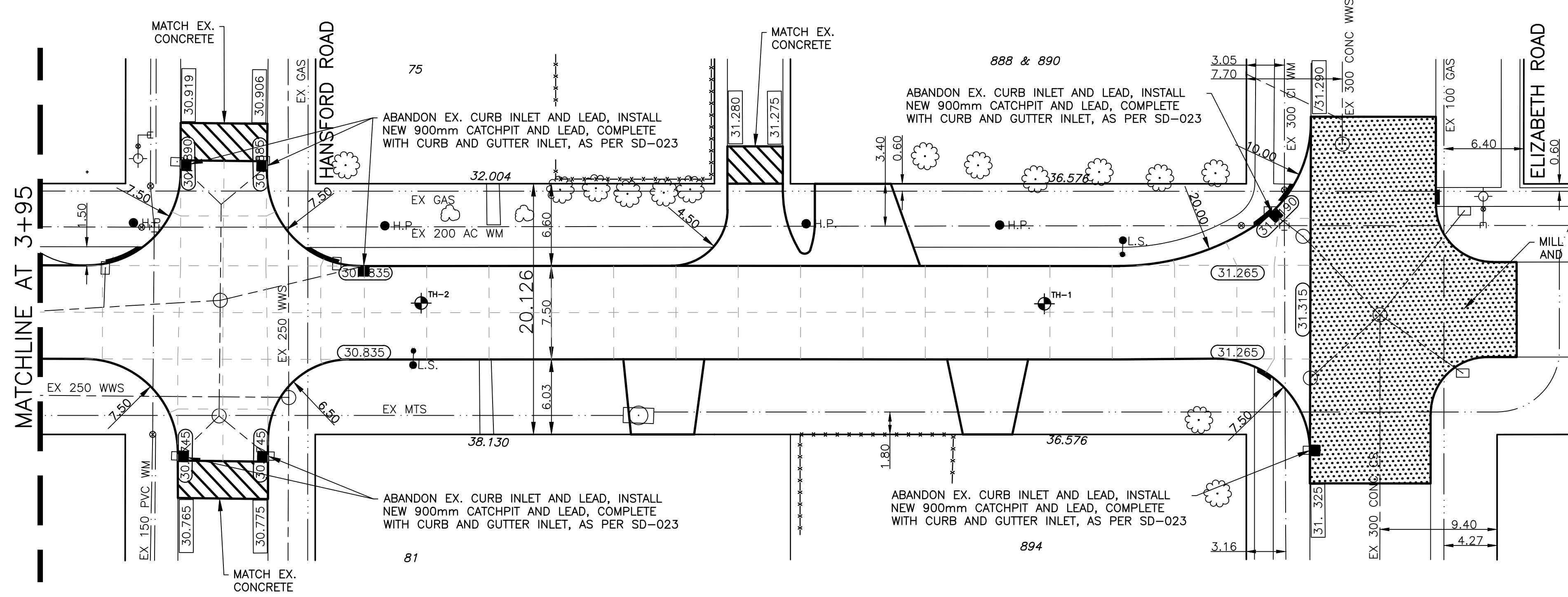
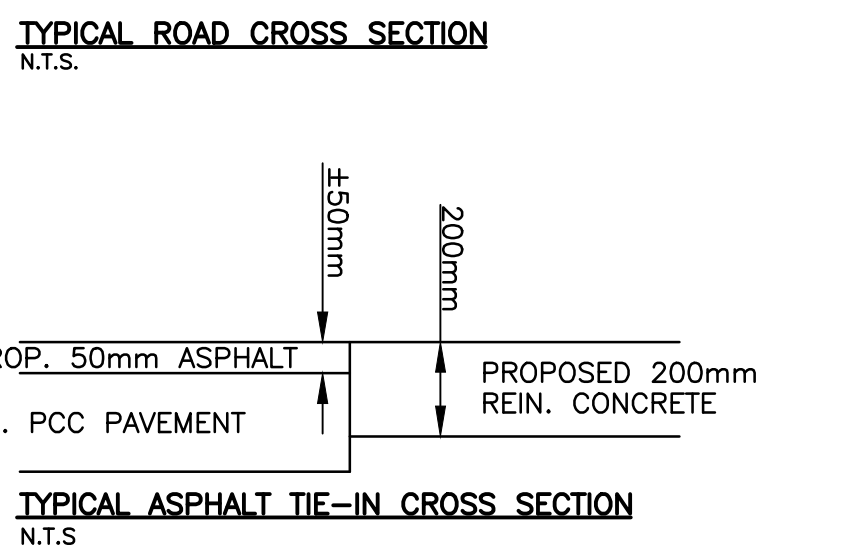
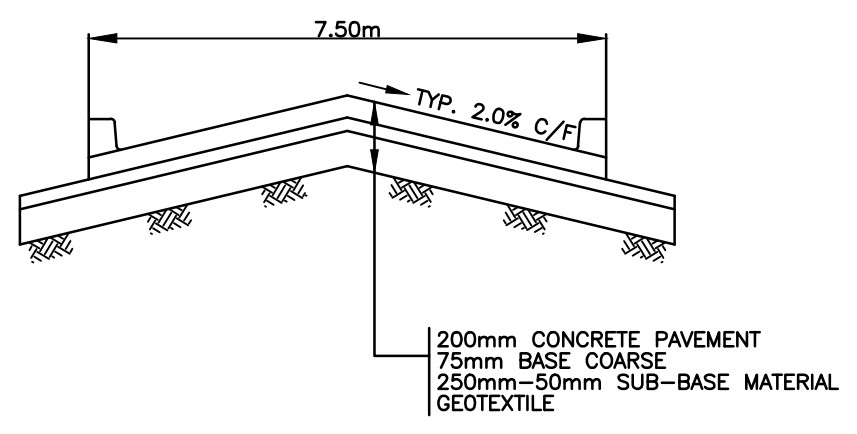


CHAINAGE ALONG CENTER OF ROW
DE BOURMONT AVENUE

NOTES:

1. SIDEWALK RENEWAL TO BE DIRECTED BY CONTRACT ADMINISTRATOR
2. MODIFIED BARRIER CURB TO BE USED FOR CURB RENEWAL AT RADII AS DIRECTED BY CONTRACT ADMINISTRATOR
3. DRIVEWAY RENEWALS TO BE DIRECTED BY CONTRACT ADMINISTRATOR
4. ABANDONMENT OF EXISTING CURB INLETS TO BE DIRECTED BY CONTRACT ADMINISTRATOR
5. INSTALLATION OF NEW CATCHPITS TO BE DIRECTED BY CONTRACT ADMINISTRATOR
6. INSTALLATION OF DETECTABLE WARNING SURFACE TILES TO BE DIRECTED BY CONTRACT ADMINISTRATOR



BENCHMARK:
S. SIDE AUTUMNWOOD DR. E. OF BARBERRY RD., TBLT. IN N. CONC.
FOUNDATION OF FRONTENAC SCHOOL, NO. 866 AUTUMNWOOD DR.
0.4 M E. & 0.3 M BELOW BRICK OF N.W. COR. OF MAIN ENTRANCE TO SCHOOL.

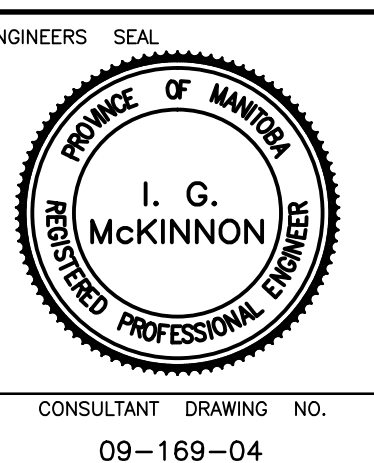
EXISTING	LEGEND - PLAN	PROPOSED	EXISTING	LEGEND - PLAN	PROPOSED	EXISTING	LEGEND - PROFILE	PROPOSED
---	WATERMAIN	---	---	HYDRO	---	---	CENTER LINE	---
○	HYDRANT	○	○	M.T.S.	○	---	WEST GUTTER LINE	---
○	VALVE	○	○	CONCRETE	○	---	EAST GUTTER LINE	---
---	LAND DRAINAGE SEWER	---	---	ASPHALT	---	---	WATERMAIN	---
---	WASTE WATER SEWER	---	---	PROPERTY LINE	---	---	VALVE	---
○	MANHOLE	○	○	SURVEY BAR	○	---	LAND DRAINAGE SEWER	---
□	CATCH BASIN	□	□	TESTHOLE LOCATION	□	---	WASTE WATER SEWER	---
□	CATCH PIT	□	□	C.B. LEAD	---	---		
△	CURB INLET	△	△	SIDEWALK	---	---		
---	TRAFFIC SIGNAL	---	---	SIDEWALK RAMP	---	---		
---	GAS	---	---	ELEVATIONS	---	---		

LOCATION APPROVED
S.U.P. U/G STRUCTURES DATE COMMITTEE
NOTE:
LOCATION OF UNDERGROUND STRUCTURES AS SHOWN ARE BASED ON THE BEST INFORMATION AVAILABLE BUT NO GUARANTEE IS GIVEN THAT ALL EXISTING UTILITIES ARE SHOWN OR THAT THE GIVEN LOCATIONS ARE EXACT. CONFIRMATION OF EXISTENCE AND EXACT LOCATION OF ALL SERVICES MUST BE OBTAINED FROM THE INDIVIDUAL UTILITIES BEFORE PROCEEDING WITH CONSTRUCTION.

NO.	REVISIONS	DATE	BY
1	BID DRAWING	MAR/10	A.B.

GENIVAR
10 PRAIRIE WAY WINNIPEG, MANITOBA R2J 3J8
PH: (204)-477-8650 FAX: (204)-474-2864

DESIGNED BY: A.B./S.M. CHECKED BY: R.H.
DRAWN BY: A.B. APPROVED BY: S.M.
HOR. SCALE: 1:250 RELEASED FOR CONSTRUCTION: ORIGINALY SIGNED BY
VERT. SCALE: 1:10 DATE: MARCH 2010



Winnipeg THE CITY OF WINNIPEG PUBLIC WORKS DEPARTMENT

2010 RESIDENTIAL STREET RENEWALS
DE BOURMONT AVENUE STREET RECONSTRUCTION
FROM MATCHLINE AT STATION 3+95 TO ELIZABETH ROAD

CITY DRAWING NO. SHEET 4 OF 4
271-2010



METRIC
WHOLE NUMBERS INDICATE MILLIMETRES
DECIMALIZED NUMBERS INDICATE METRES

