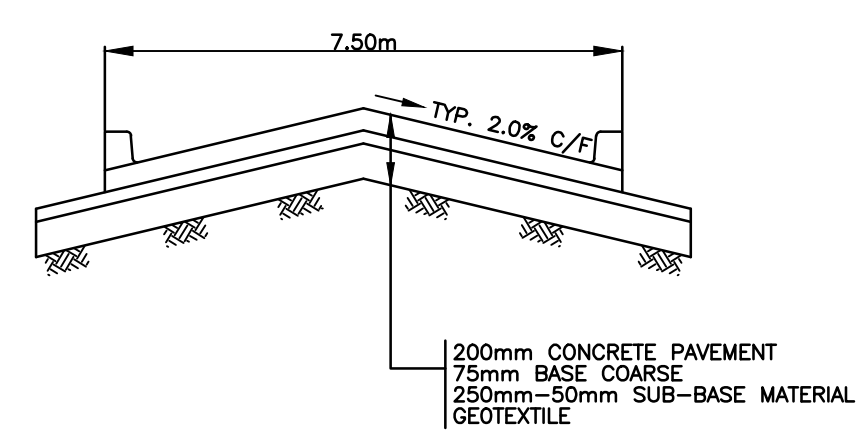
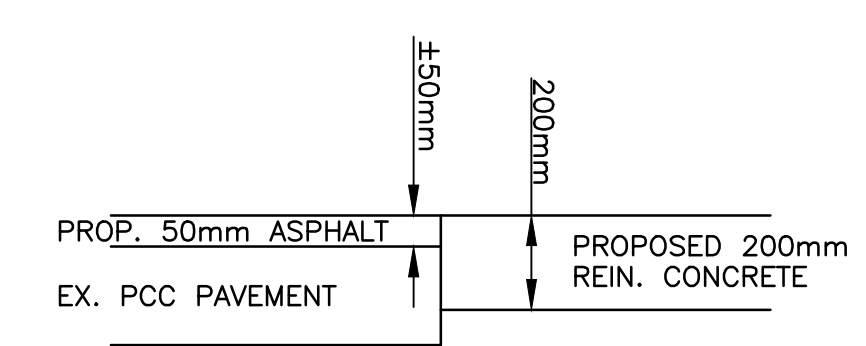


- NOTES:**
1. SIDEWALK RENEWAL TO BE DIRECTED BY CONTRACT ADMINISTRATOR
 2. MODIFIED BARRIER CURB TO BE USED FOR CURB RENEWAL AT RADII AS DIRECTED BY CONTRACT ADMINISTRATOR
 3. DRIVEWAY RENEWAL TO BE DIRECTED BY CONTRACT ADMINISTRATOR
 4. ABANDONMENT OF EXISTING CURB INLETS TO BE DIRECTED BY CONTRACT ADMINISTRATOR
 5. INSTALLATION OF NEW CATCHPITS TO BE DIRECTED BY CONTRACT ADMINISTRATOR
 6. INSTALLATION OF DETECTABLE WARNING SURFACE TILES TO BE DIRECTED BY CONTRACT ADMINISTRATOR

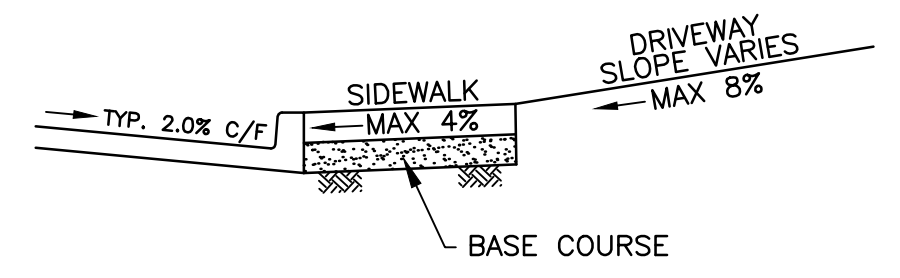
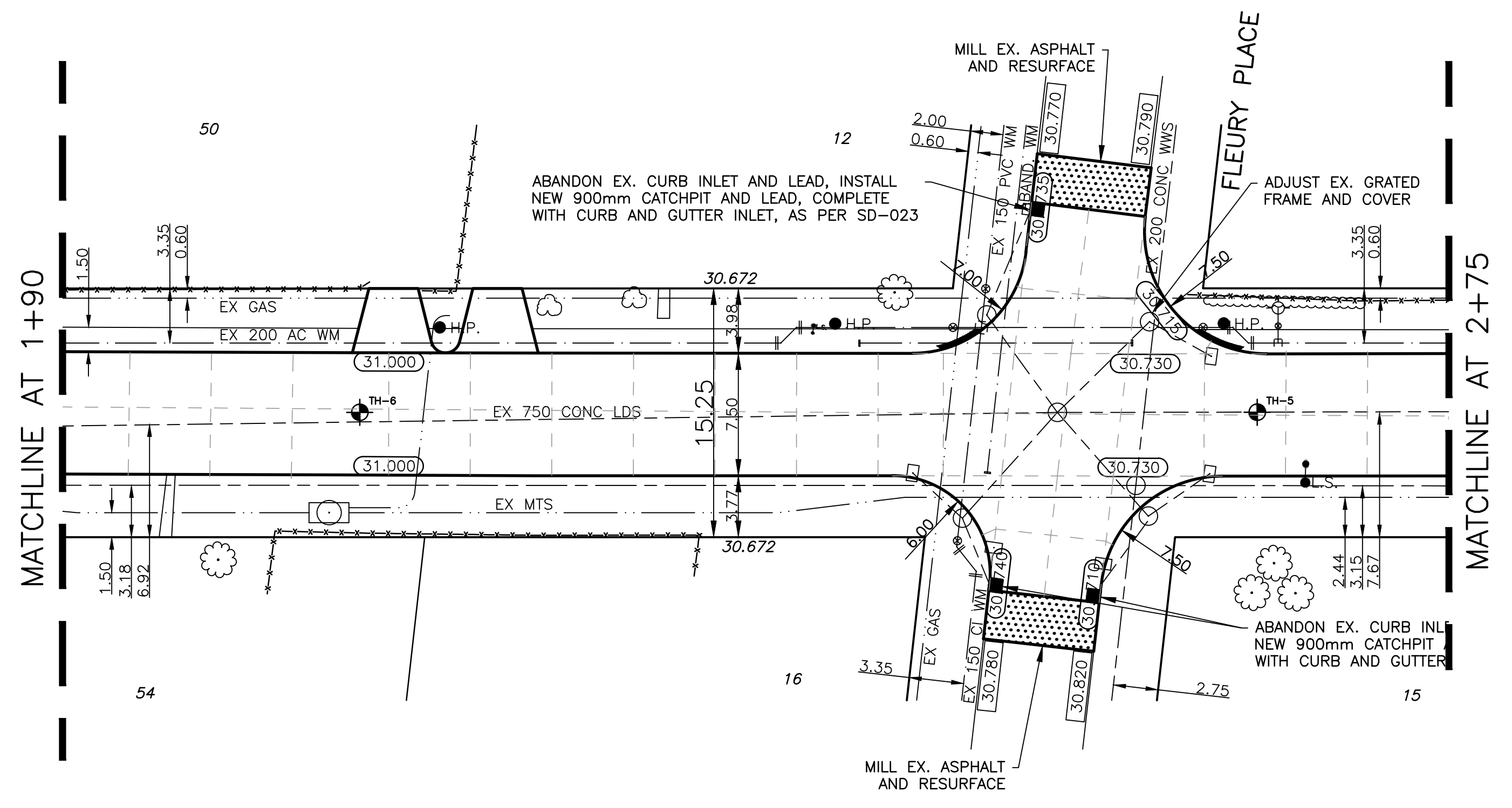


TYPICAL ROAD CROSS SECTION
N.T.S.

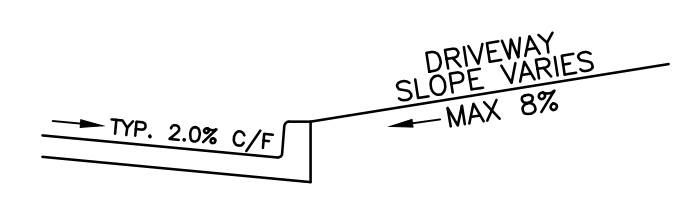


TYPICAL ASPHALT TIE-IN CROSS SECTION
N.T.S.

CHAINAGE ALONG CENTER OF ROW
DE BOURMONT AVENUE



TYPICAL APPROACH CROSS SECTION WITH SIDEWALK
N.T.S.



TYPICAL APPROACH CROSS SECTION
N.T.S.

BENCHMARK:
S. SIDE AUTUMNWOOD DR. E. OF BARBERY RD., TBLT. IN N. CONC.
FOUNDATION OF FRONTENAC SCHOOL, NO. 866 AUTUMNWOOD DR.
0.4 M E. & 0.3 M BELOW BRICK OF N.W. COR. OF MAIN ENTRANCE TO SCHOOL.

WATERMAIN		HYDRO		CENTER LINE		LOCATION APPROVED	
⊕	HYDRANT	⊕	M.T.S.	---	---	---	---
⊕	VALVE	⊕	CONCRETE	---	---	---	---
---	LAND DRAINAGE SEWER	---	ASPHALT	---	---	---	---
---	WASTE WATER SEWER	---	PROPERTY LINE	---	---	---	---
○	MANHOLE	⊕	SURVEY BAR	---	---	---	---
□	CATCH BASIN	⊕	TESTHOLE LOCATION	---	---	---	---
□	CATCH PIT	⊕	C.B. LEAD	---	---	---	---
△	CURB INLET	⊕	SIDEWALK	---	---	---	---
---	TRAFFIC SIGNAL	⊕	SIDEWALK RAMP	---	---	---	---
---	GAS	⊕	ELEVATIONS	---	---	---	---
---	EXISTING	---	LEGEND - PLAN	---	---	---	---
---	PROPOSED	---	PROPOSED	---	---	---	---

REVISIONS		DATE		BY	
1	BID DRAWING	MAR/10	A.B.		

GENIVAR
10 PRAIRIE WAY WINNIPEG, MANITOBA R2J 3J8
PH: (204)-477-8650 FAX: (204)-474-2864

DESIGNED BY: A.B./S.M. CHECKED BY: R.H.
DRAWN BY: A.B. APPROVED BY: S.M.
HOR. SCALE: 1:250 RELEASED FOR CONSTRUCTION: MARCH 2010
VERT. SCALE: 1:10 ORIGINALLY SIGNED BY: [Signature]

ENGINEERS SEAL
PROVINCE OF MANITOBA
I. G. MCKINNON
REGISTERED PROFESSIONAL ENGINEER
CONSULTANT DRAWING NO. 09-169-02

THE CITY OF WINNIPEG
PUBLIC WORKS DEPARTMENT

2010 RESIDENTIAL STREET RENEWALS
DE BOURMONT AVENUE
STREET RECONSTRUCTION

FROM MATCHLINE AT STATION 1+90
TO MATCHLINE AT STATION 2+75

CITY DRAWING NO. SHEET 2 OF 4
271-2010



METRIC
WHOLE NUMBERS INDICATE MILLIMETRES
DECIMALIZED NUMBERS INDICATE METRES