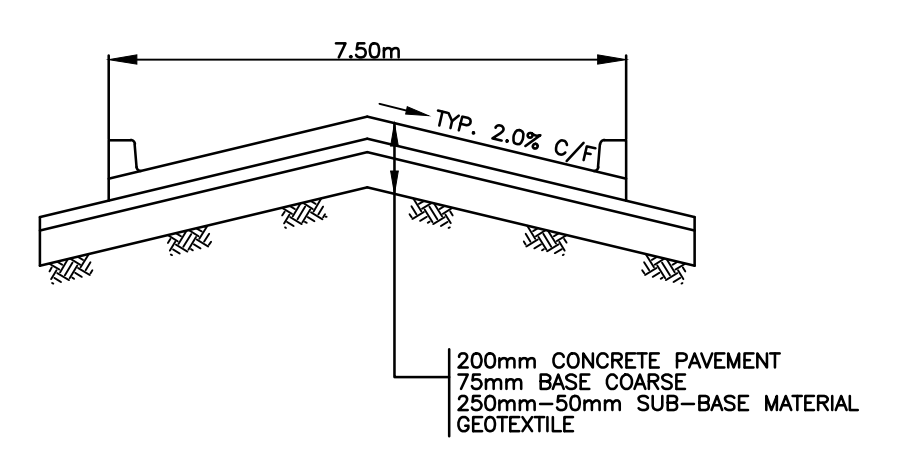
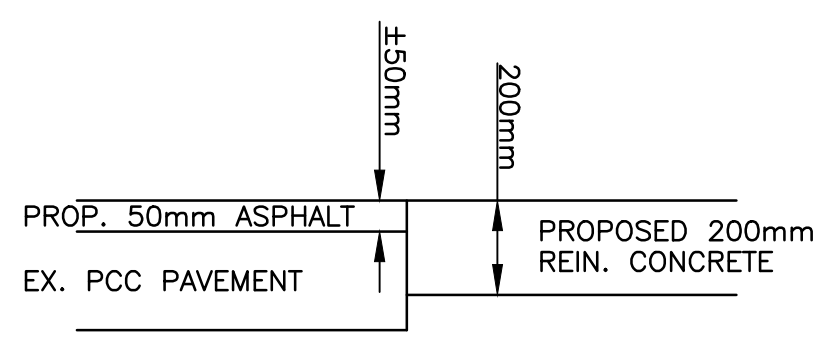


CHAINAGE ALONG CENTER OF ROW
DE BOURMONT AVENUE

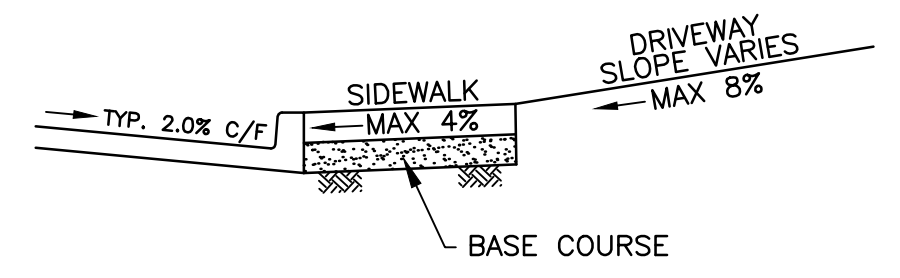
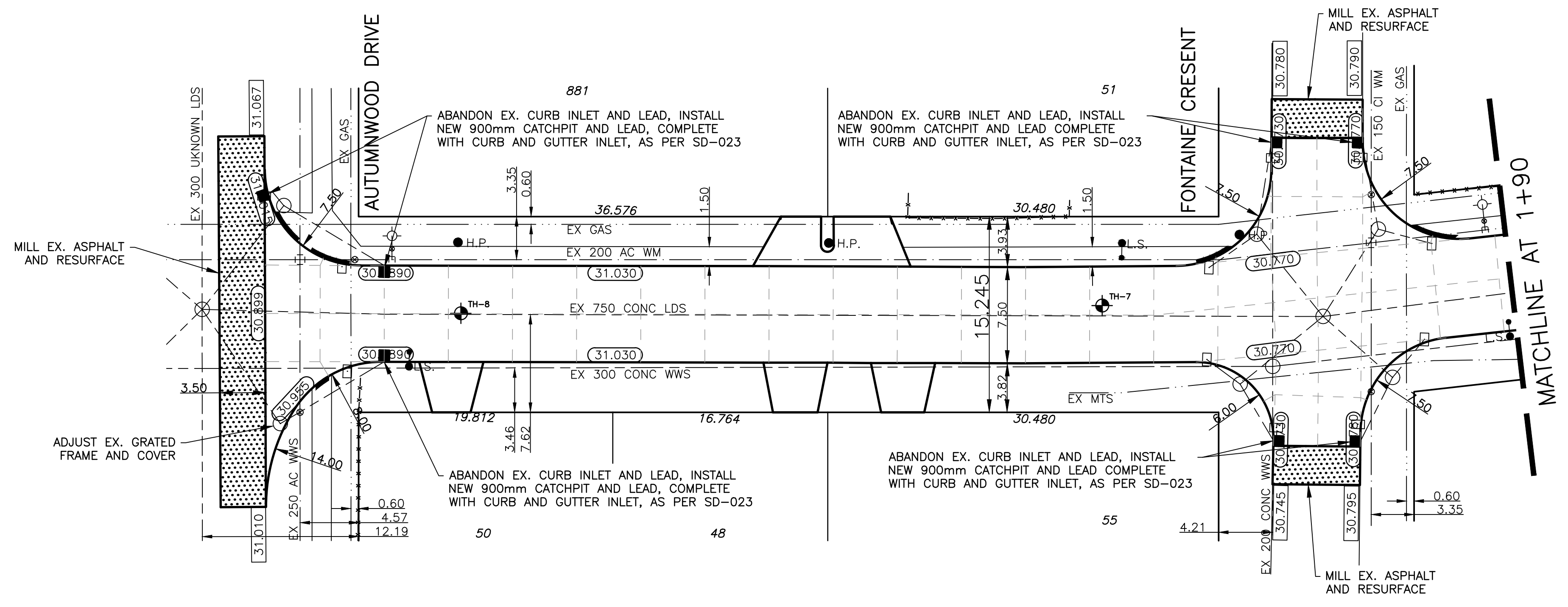
- NOTES:**
1. SIDEWALK RENEWAL TO BE DIRECTED BY CONTRACT ADMINISTRATOR
 2. MODIFIED BARRIER CURB TO BE USED FOR CURB RENEWAL AT RADII AS DIRECTED BY CONTRACT ADMINISTRATOR
 3. DRIVEWAY RENEWALS TO BE DIRECTED BY CONTRACT ADMINISTRATOR
 4. ABANDONMENT OF EXISTING CURB INLETS TO BE DIRECTED BY CONTRACT ADMINISTRATOR
 5. INSTALLATION OF NEW CATCHPITS TO BE DIRECTED BY CONTRACT ADMINISTRATOR
 6. INSTALLATION OF DETECTABLE WARNING SURFACE TILES TO BE DIRECTED BY CONTRACT ADMINISTRATOR



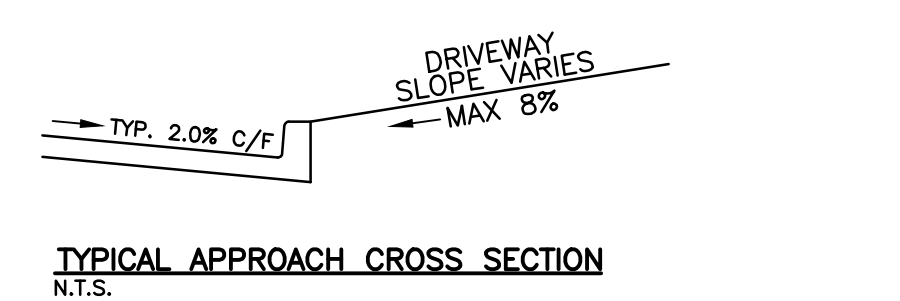
TYPICAL ROAD CROSS SECTION
N.T.S.



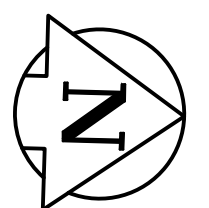
TYPICAL ASPHALT TIE-IN CROSS SECTION
N.T.S.



TYPICAL APPROACH CROSS SECTION WITH SIDEWALK
N.T.S.



TYPICAL APPROACH CROSS SECTION
N.T.S.



BENCHMARK:
S. SIDE AUTUMNWOOD DR. E. OF BARBERY RD., TBLT. IN N. CONC.
FOUNDATION OF FRONTENAC SCHOOL, NO. 866 AUTUMNWOOD DR.
0.4 M E. & 0.3 M BELOW BRICK OF N.W. COR. OF MAIN ENTRANCE TO SCHOOL.

METRIC
WHOLE NUMBERS INDICATE MILLIMETRES
DECIMALIZED NUMBERS INDICATE METRES



WATERMAIN		HYDRO		CENTER LINE		LOCATION APPROVED	
⊕	HYDRANT	—	M.T.S.	---	WEST GUTTER LINE	---	DATE
⊕	VALVE	---	CONCRETE	---	EAST GUTTER LINE	---	COMMITTEE
---	LAND DRAINAGE SEWER	---	ASPHALT	---	WATERMAIN	---	SUPV. U/G STRUCTURES
---	WASTE WATER SEWER	---	PROPERTY LINE	---	VALVE	---	DATE
○	MANHOLE	---	SURVEY BAR	---	LAND DRAINAGE SEWER	---	NOTE:
□	CATCH BASIN	---	TESTHOLE LOCATION	---	WASTE WATER SEWER	---	LOCATION OF UNDERGROUND STRUCTURES AS SHOWN ARE BASED ON THE BEST INFORMATION AVAILABLE BUT NO GUARANTEE IS GIVEN THAT ALL EXISTING UTILITIES ARE SHOWN OR THAT THE GIVEN LOCATIONS ARE EXACT. CONFIRMATION OF EXISTENCE AND EXACT LOCATION OF ALL SERVICES MUST BE OBTAINED FROM THE INDIVIDUAL UTILITIES BEFORE PROCEEDING WITH CONSTRUCTION.
△	CURB INLET	---	SIDEWALK	---			
---	TRAFFIC SIGNAL	---	SIDEWALK RAMP	---			
---	GAS	---	ELEVATIONS	---			
---	EXISTING	---	LEGEND - PLAN	---	EXISTING	---	LEGEND - PROFILE
---	PROPOSED	---	PROPOSED	---	PROPOSED	---	PROPOSED

NO.	REVISIONS	DATE	BY
1	BID DRAWING	MAR/10	A.B.

GENIVAR
10 PRAIRIE WAY WINNIPEG, MANITOBA R2J 3J8
PH: (204)-477-8650 FAX: (204)-474-2864

DESIGNED BY: A.B./S.M. CHECKED BY: R.H.
DRAWN BY: A.B. APPROVED BY: S.M.
HOR. SCALE: 1:250 RELEASED FOR CONSTRUCTION: MARCH 2010
VERT. SCALE: 1:10 ORIGINALLY SIGNED BY: [Signature]

ENGINEERS SEAL
PROVINCE OF MANITOBA
I. G. MCKINNON
REGISTERED PROFESSIONAL ENGINEER
CONSULTANT DRAWING NO. 09-169-01

Winnipeg THE CITY OF WINNIPEG PUBLIC WORKS DEPARTMENT
2010 RESIDENTIAL STREET RENEWALS DE BOURMONT AVENUE STREET RECONSTRUCTION
FROM AUTMNNWOD DRIVE TO MATCHLINE AT STATION 1+90

CITY DRAWING NO. SHEET 1 OF 4
271-2010