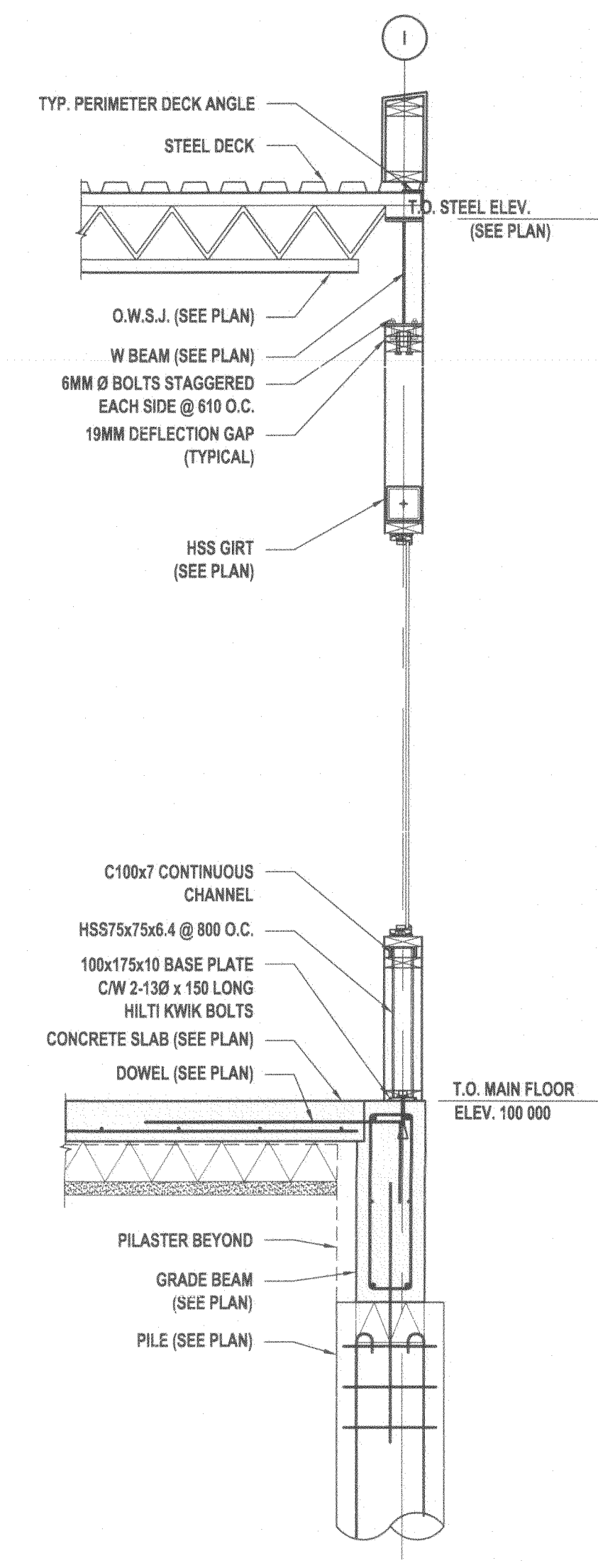
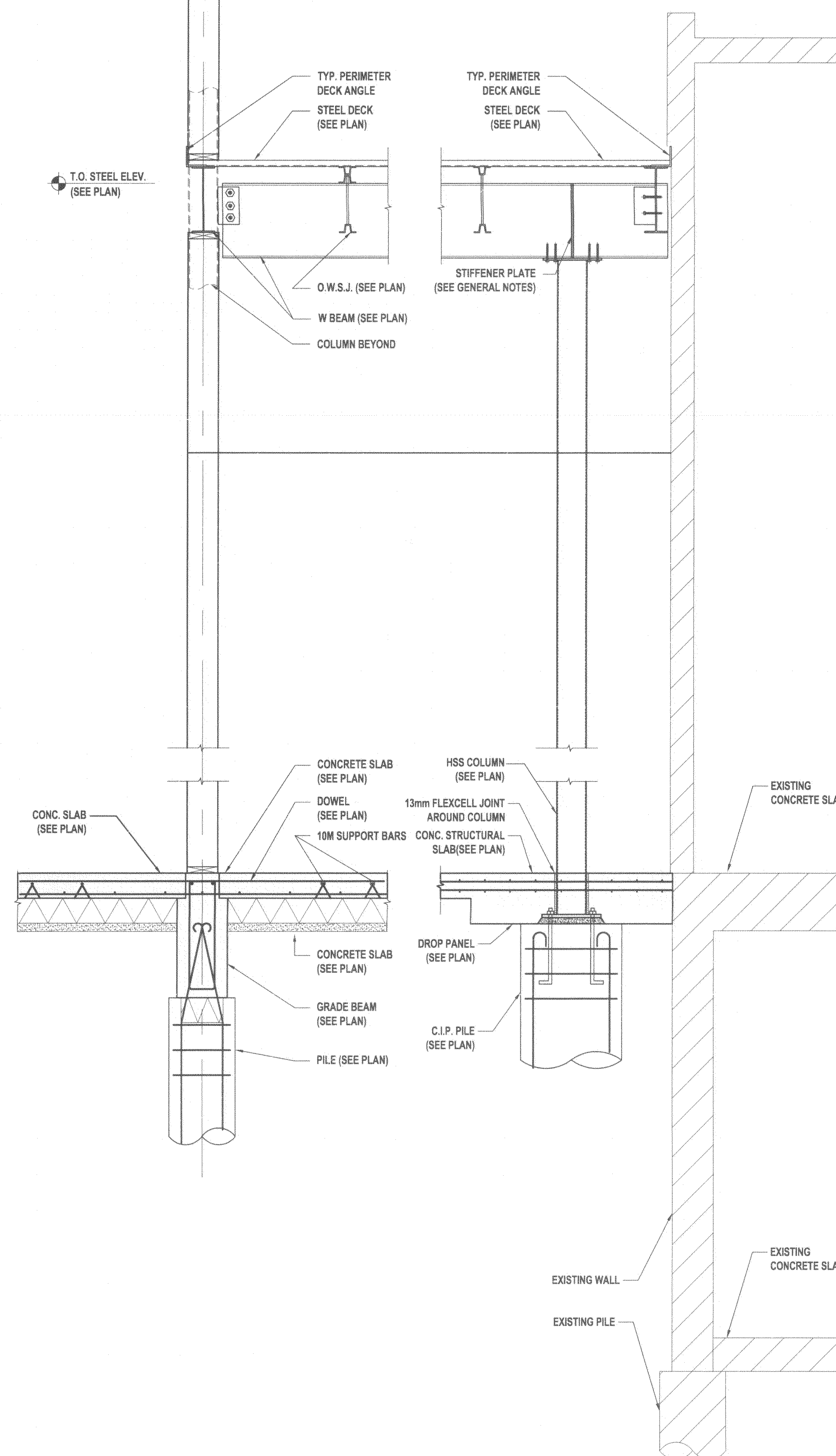
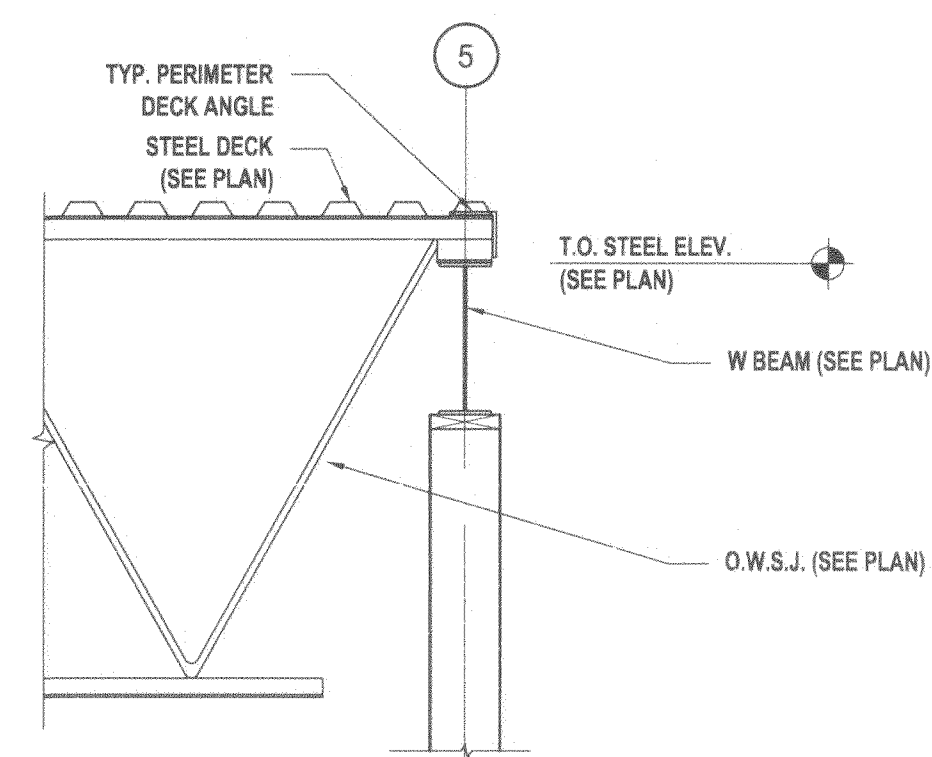
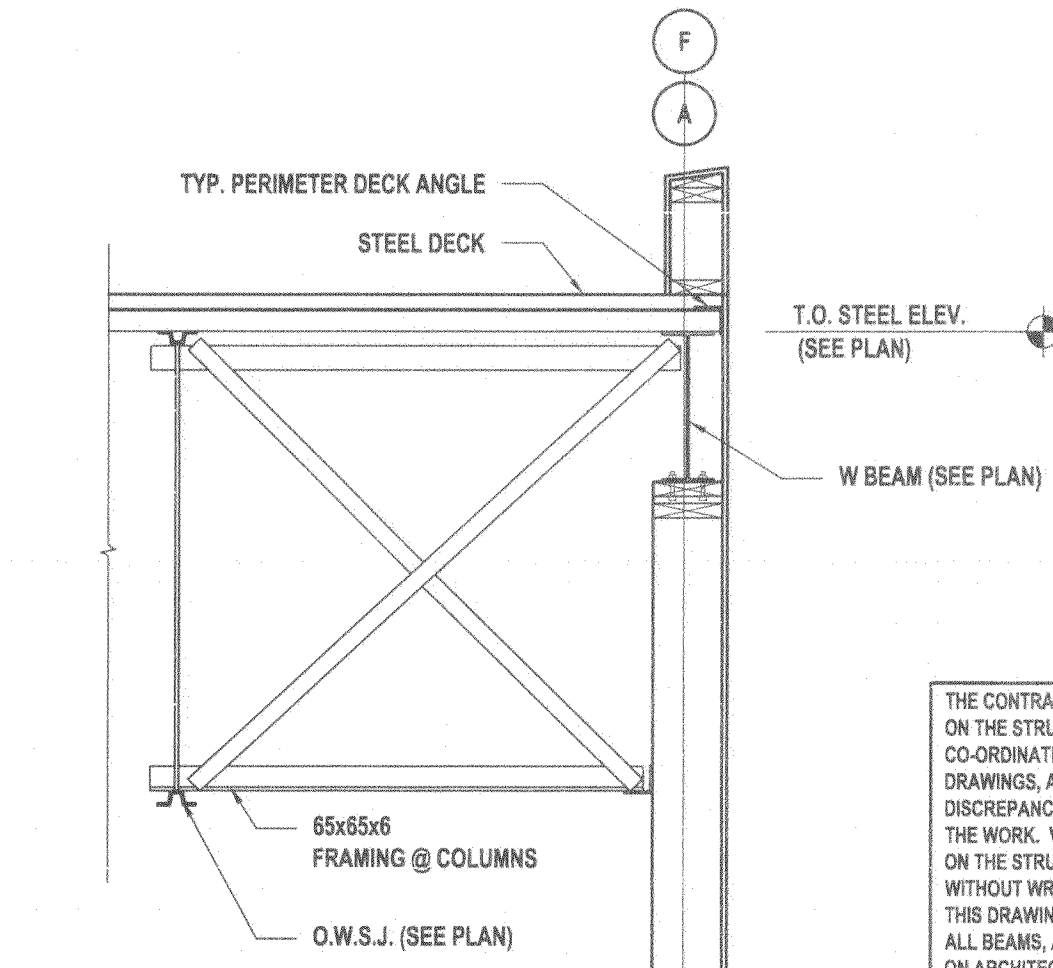


1 SECTION
F.H. S5.2 Scale: 1:20



2 SECTION
F.H. S5.2 Scale: 1:20



3 SECTION
S2.4 S5.2 Scale: 1:20

THE CONTRACTOR IS TO VERIFY DIMENSIONS AND DATA NOTED ON THE STRUCTURAL DRAWINGS WITH CONDITIONS ON THE SITE. CO-ORDINATE ALL DIMENSIONS WITH THE ARCHITECTURAL DRAWINGS AND IS HELD RESPONSIBLE FOR REPORTING ANY DISCREPANCIES TO THE ENGINEER BEFORE PROCEEDING WITH THE WORK. VARIATIONS AND MODIFICATIONS TO WORK SHOWN ON THE STRUCTURAL DRAWINGS SHALL NOT BE CARRIED OUT WITHOUT WRITTEN PERMISSION FROM THE ENGINEER. THIS DRAWING IS NOT TO BE SCALED. ALL BEAMS, ANGLES AND MISCELLANEOUS METALS INDICATED ON ARCHITECTURAL, MECHANICAL AND/OR ELECTRICAL DRAWINGS BUT NOT SHOWN OR NOTED ON STRUCTURAL DRAWINGS, SHALL BE INCLUDED IN THE TENDER PRICE. THE CONTRACTOR IS RESPONSIBLE FOR CONFIRMING SIZES AND LOCATIONS OF THESE MEMBERS WITH BOTH THE ARCHITECT AND THE ENGINEER PRIOR TO TENDER CLOSING.

LDA STRUCTURAL ENGINEERS
Lavergne Draward & Associates Inc.
402-138 Portage Avenue East
Winnipeg, Manitoba
R3C 0A1
Tel 204 947-2222
Fax 204 947-2522
E-mail general@ldaeng.ca
Web www.ldaeng.ca
Project # 7057

1. Issued for Tender Feb. 26, 2010
revision
This drawing must not be scaled.
The general Contractor must verify all dimensions, datums and levels prior to commencement of work. All errors and omissions must be reported immediately to the Architect.
Variations and modifications to work shown on this drawing shall not be carried out without written permission from the Architect.
This drawing is the exclusive property of the Architect and cannot be reproduced without written permission of the Architect. Reproduction must bear the name of the Architect. Copyright © 2009.

APEGM
Certificate of Authorization
Lavergne Draward & Associates Inc.
No. 1912 Date: FEB. 26, 2010
PROVINCE OF MANITOBA
JULIEN LAVERGNE
REGISTERED PROFESSIONAL ENGINEER
FEB. 26, 2010

harold funk architect inc.
Harold Funk Architect Inc.
Architecture and Urban Design
201-35 Donald Street, Winnipeg, Manitoba, R4C 1E8
T (204) 943-5587 info@funkarchitect.com
F (204) 943-9231 funkarchitect.com

project
SINCLAIR COMMUNITY CENTRE
ADDITION & RENOVATION
490 Sinclair Street, Winnipeg
sheet title
FULL HEIGHT SECTIONS

project number: 7057 drawing number:
scale: AS NOTED
drawn by: AP **S 5.2**
approved by: J.L.
date: 26 FEB. 2010